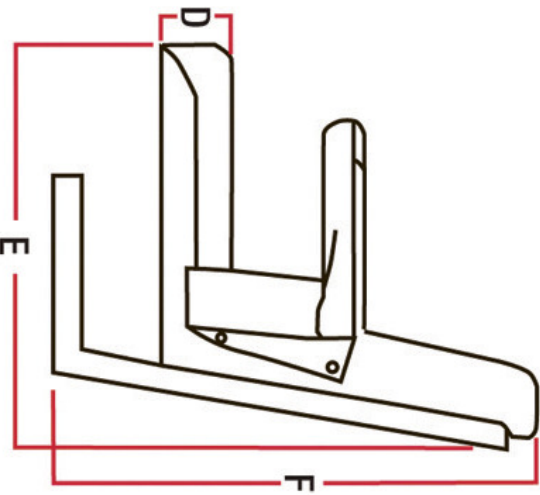


A = 17"
B = 17"

C = 18.5"
D = 4"



E = 22"
F = 26"

