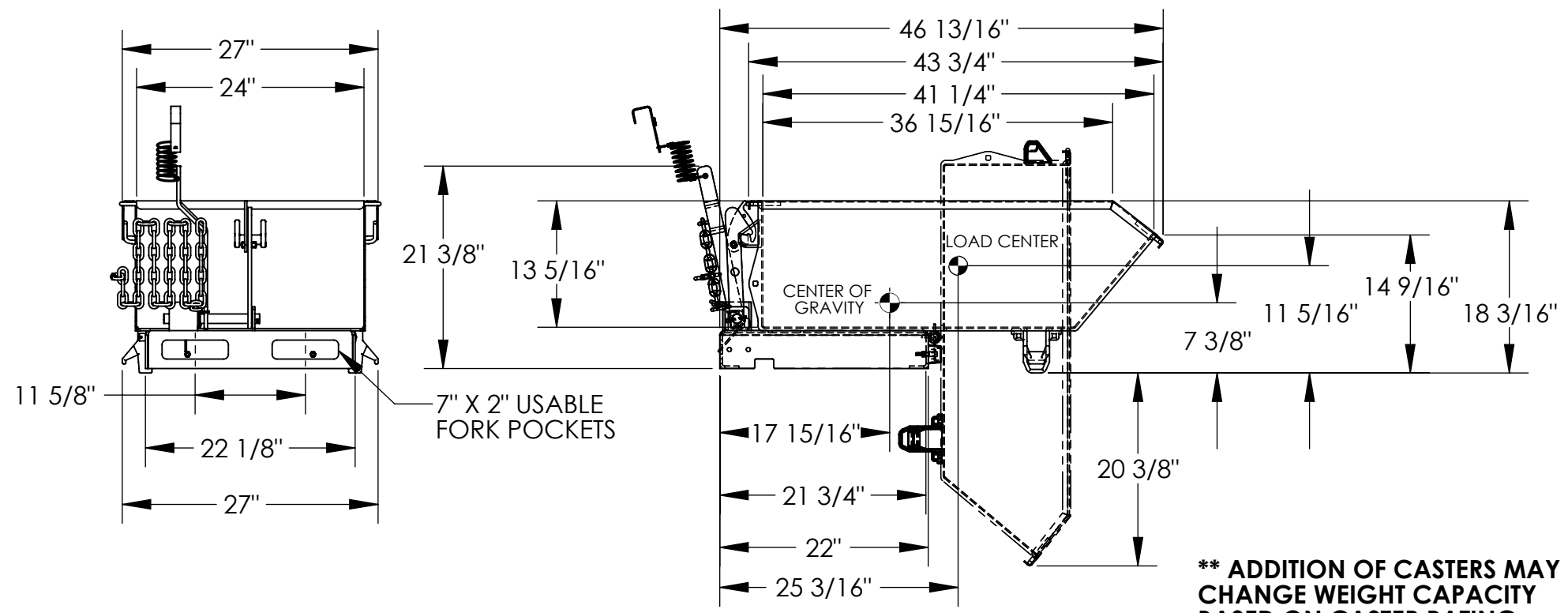


# HIGH STRENGTH 90° SELF DUMPING HOPPER - H-25-HS

APPROX WEIGHT: 198.18 lbs.  
 DOES NOT INCLUDE WEIGHT OF POWER OR PACKAGING!!!

\*\*\* ANY ADDITIONS, DELETIONS, OR OMISSIONS MUST BE CORRECTED ON THIS DRAWING AS THIS DRAWING WILL BE CONSIDERED ALL INCLUSIVE \*\*\*  
 ALL GRAPHICS PROVIDED ARE FOR REFERENCE ONLY. IF CERTAIN DIMENSIONS ARE CRITICAL PLEASE VERIFY THOSE DIMENSIONS WITH YOUR SALESPERSON



**\*\* ADDITION OF CASTERS MAY CHANGE WEIGHT CAPACITY BASED ON CASTER RATING**  
 DIMENSION TOLERANCE ± 1/4"

## STANDARD FEATURES

MODEL NUMBER: H-25-HS  
 OVERALL WIDTH: 27"  
 OVERALL LENGTH: 46 13/16"  
 OVERALL HEIGHT: 21 3/8"  
 BIN INSIDE WIDTH 24"  
 BIN INSIDE LENGTH 41 1/4"  
 BIN INSIDE HEIGHT 13 5/16"  
 CAPACITY: 6,000 LBS.  
 VOLUME: 1/4 CU. YRD.  
 DURABLE BAKED IN POWDER COATED BLUE FINISH

APPROX. WEIGHT / LOST LOAD = 198.18  
 MINIMUM EFFECTIVE THICKNESS =  
 VERTICAL CENTER OF GRAVITY = 7 3/8"  
 HORIZONTAL CENTER OF GRAVITY = 17 15/16"

NEVER EXCEED LOAD CENTER RATING PER FORKTRUCK MANUFACTURERS GUIDELINES.  
 DO NOT USE THIS FORK TRUCK ATTACHMENT IF LOAD WILL EXCEED FORK TRUCK MANUFACTURER'S LOAD CENTER RATING

## SPECIAL FEATURES

NONE

<b>APPROVAL</b>	I, THE UNDERSIGNED, AGREE THAT THE PRODUCT AS REPRESENTED SATISFIES DESIGN AND DIMENSION REQUIREMENTS. I ALSO ACKNOWLEDGE MY DUTY TO CONFIRM PRODUCT AND INSTALLATION COMPLIANCE WITH ALL APPLICABLE FEDERAL, STATE AND LOCAL REGULATIONS AND STANDARDS.	
	<b>UNITS REQUIRING APPROVAL DRAWINGS OR MODIFIED ARE NON-RETURNABLE</b>	
	[ ] As drawn [ ] As marked	
	Signed: _____	Date: _____
Printed Name: _____		
LEAD TIME WILL START UPON RECEIPT OF SIGNED APPROVAL DRAWING		

DISTRIBUTOR'S NAME:		P.O.#
VESTIL MANUFACTURING		X
DRAWN BY: JWW		W.O.#
DATE: 12/14/2020		X
REFERENCE: X	SCALE: 1:16	SALES: X
QUOTED LEAD TIME: X	QUOTE # X	FILE NAME: 37-007-154