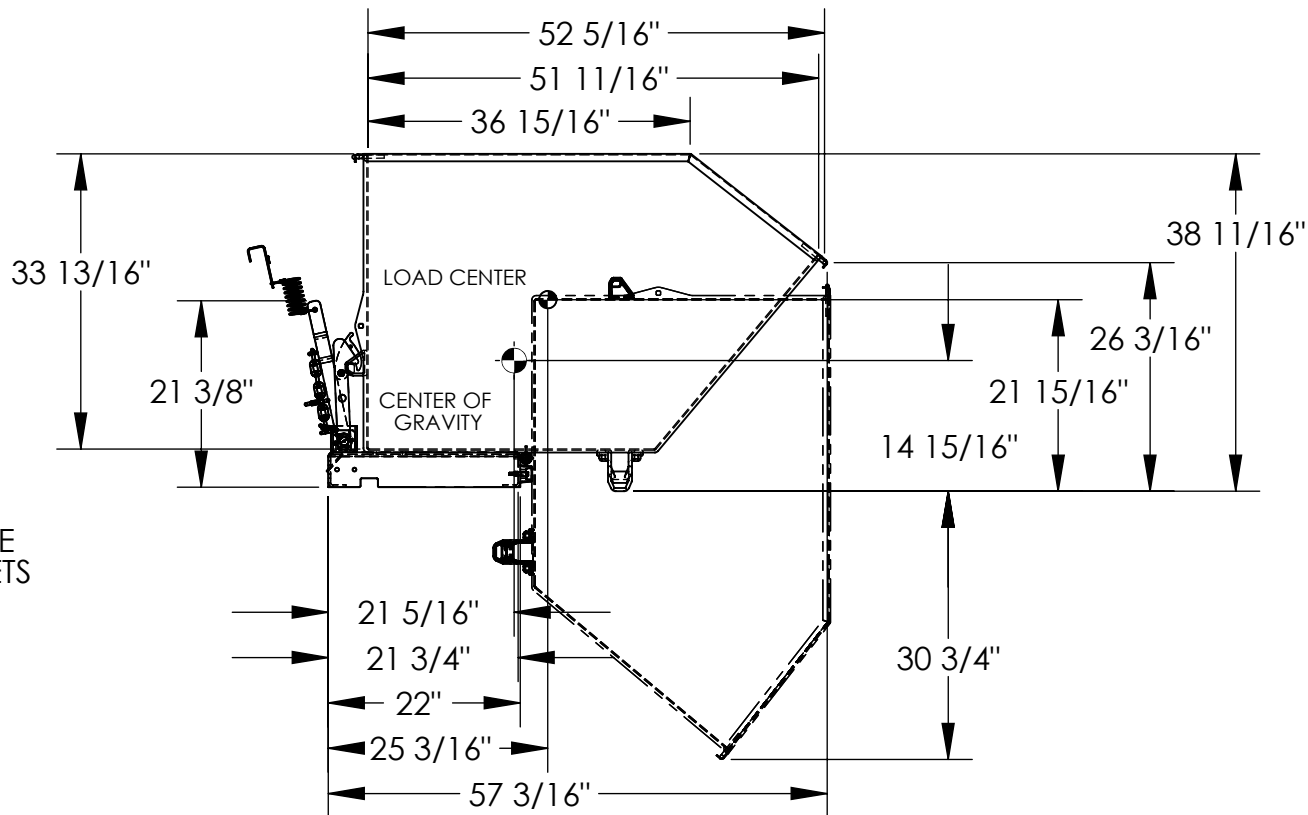
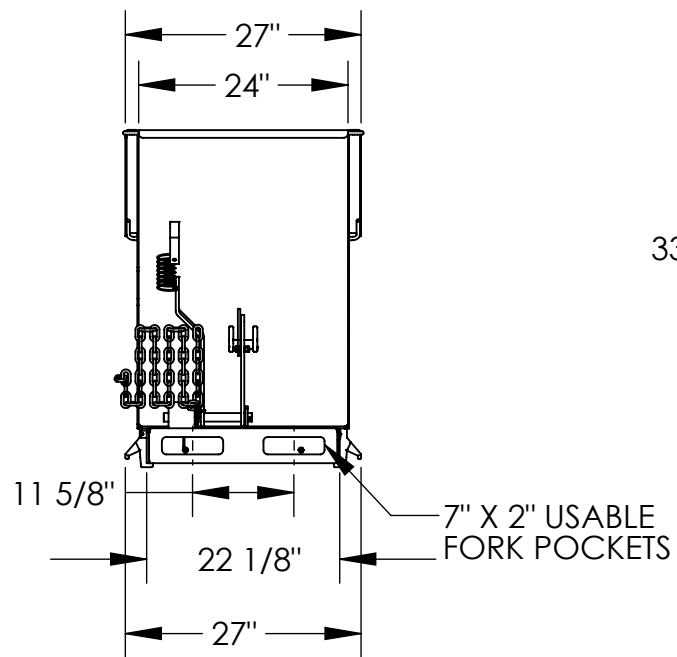


HIGH STRENGTH 90° SELF DUMPING HOPPER - H-75-HS

APPROX WEIGHT: 305.51 lbs.
DOES NOT INCLUDE WEIGHT OF POWER OR PACKAGING!!!

*** ANY ADDITIONS, DELETIONS, OR OMISSIONS MUST BE CORRECTED ON THIS DRAWING AS THIS DRAWING WILL BE CONSIDERED ALL INCLUSIVE ***

ALL GRAPHICS PROVIDED ARE FOR REFERENCE ONLY. IF CERTAIN DIMENSIONS ARE CRITICAL PLEASE VERIFY THOSE DIMENSIONS WITH YOUR SALESPERSON



**** ADDITION OF CASTERS MAY CHANGE WEIGHT CAPACITY BASED ON CASTER RATING**

STANDARD FEATURES

MODEL NUMBER: H-75-HS
OVERALL WIDTH: 27"
OVERALL LENGTH: 57 3/16"
OVERALL HEIGHT: 38 11/16"
BIN INSIDE WIDTH 24"
BIN INSIDE LENGTH 51 11/16"
BIN INSIDE HEIGHT 33 13/16"
CAPACITY: 6,000 LBS.
VOLUME: 3/4 CU. YRD.
DURABLE BAKED IN POWDER COATED BLUE FINISH

SPECIAL FEATURES

NONE

APPROX. WEIGHT / LOST LOAD = 305.51
MINIMUM EFFECTIVE THICKNESS =
VERTICAL CENTER OF GRAVITY = 14 15/16"
HORIZONTAL CENTER OF GRAVITY = 21 5/16"

NEVER EXCEED LOAD CENTER RATING PER FORKTRUCK MANUFACTURERS GUIDELINES.
DO NOT USE THIS FORK TRUCK ATTACHMENT IF LOAD WILL EXCEED FORK TRUCK MANUFACTURER'S LOAD CENTER RATING

**A
P
P
R
O
V
A
L**

I, THE UNDERSIGNED, AGREE THAT THE PRODUCT AS REPRESENTED SATISFIES DESIGN AND DIMENSION REQUIREMENTS. I ALSO ACKNOWLEDGE MY DUTY TO CONFIRM PRODUCT AND INSTALLATION COMPLIANCE WITH ALL APPLICABLE FEDERAL, STATE AND LOCAL REGULATIONS AND STANDARDS.

UNITS REQUIRING APPROVAL DRAWINGS OR MODIFIED ARE NON-RETURNABLE

[] As drawn [] As marked

Signed: _____ Date: _____

Printed Name: _____

LEAD TIME WILL START UPON RECEIPT OF SIGNED APPROVAL DRAWING

DISTRIBUTOR'S NAME:		P.O.#
VESTIL MANUFACTURING		X
DRAWN BY: JWW		W.O.#
DATE: 12/14/2020		X
REFERENCE: X	SCALE: 1:22	SALES: X
QUOTED LEAD TIME: X	QUOTE #	FILE NAME:
	X	37-007-157