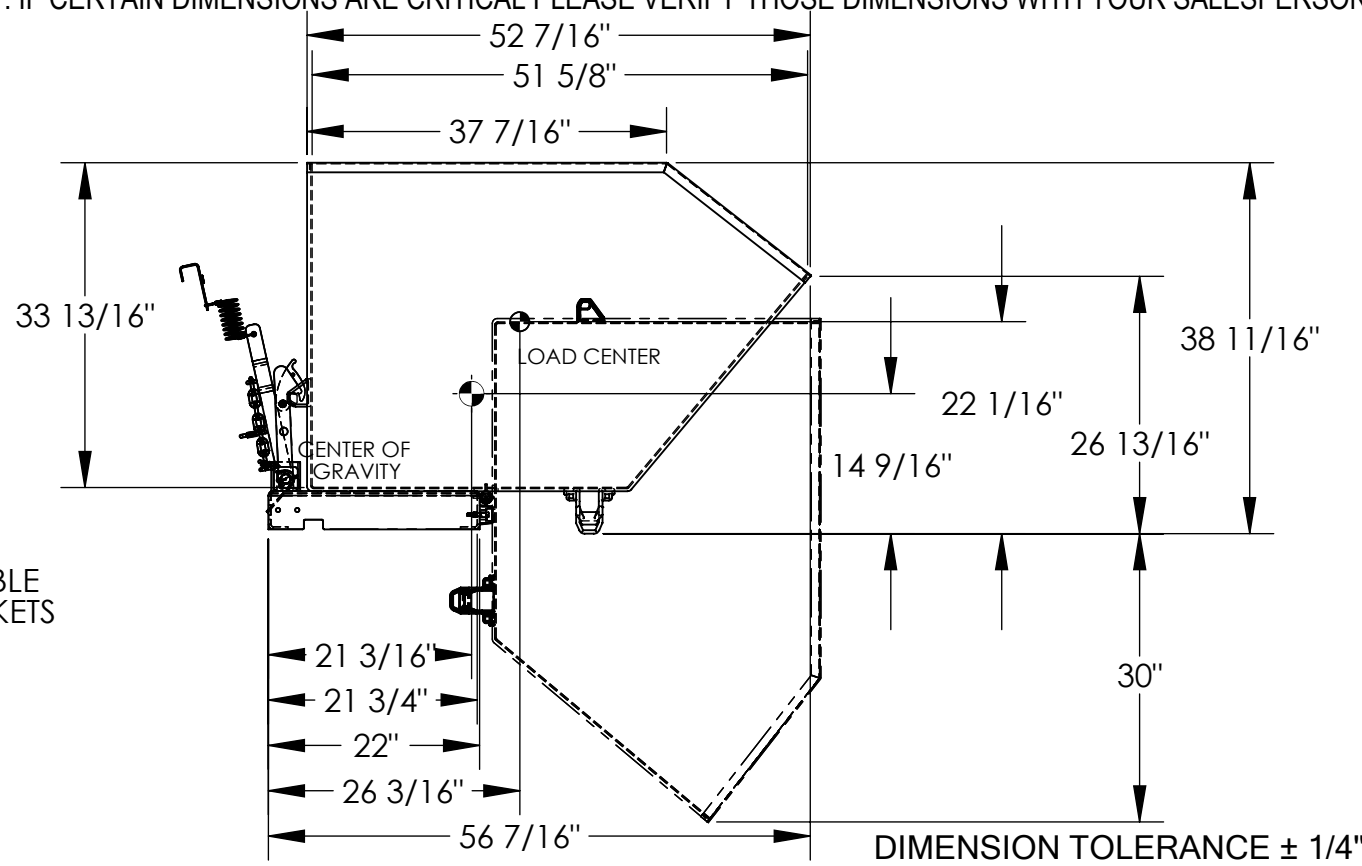
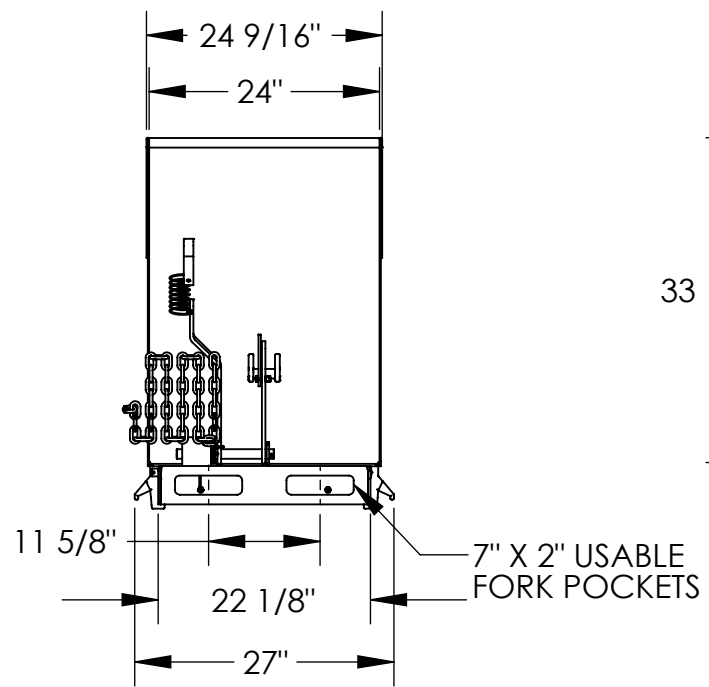


# LOW PROFILE 90° SELF DUMPING HOPPER - H-75-MD

APPROX WEIGHT: 302.72 lbs.  
 DOES NOT INCLUDE WEIGHT OF POWER OR PACKAGING!!!

\*\*\* ANY ADDITIONS, DELETIONS, OR OMISSIONS MUST BE CORRECTED ON THIS DRAWING AS THIS DRAWING WILL BE CONSIDERED ALL INCLUSIVE \*\*\*

ALL GRAPHICS PROVIDED ARE FOR REFERENCE ONLY. IF CERTAIN DIMENSIONS ARE CRITICAL PLEASE VERIFY THOSE DIMENSIONS WITH YOUR SALESPERSON



**\*\* ADDITION OF CASTERS MAY CHANGE WEIGHT CAPACITY BASED ON CASTER RATING**

## STANDARD FEATURES

- MODEL NUMBER: H-75-MD
- OVERALL WIDTH: 27"
- OVERALL LENGTH: 56 7/16"
- OVERALL HEIGHT: 38 11/16"
- BIN INSIDE WIDTH 24"
- BIN INSIDE LENGTH 51 5/8"
- BIN INSIDE HEIGHT 33 13/16"
- CAPACITY: 4,000 LBS.
- VOLUME: 3/4 CU. YRD.
- DURABLE BAKED IN POWDER COATED BLUE FINISH

APPROX. WEIGHT / LOST LOAD = 302.72  
 MINIMUM EFFECTIVE THICKNESS =  
 VERTICAL CENTER OF GRAVITY = 14 9/16"  
 HORIZONTAL CENTER OF GRAVITY = 21 3/16"

NEVER EXCEED LOAD CENTER RATING PER FORKTRUCK MANUFACTURERS GUIDELINES.

DO NOT USE THIS FORK TRUCK ATTACHMENT IF LOAD WILL EXCEED FORK TRUCK MANUFACTURER'S LOAD CENTER RATING

## SPECIAL FEATURES

NONE

**APPROVAL**

I, THE UNDERSIGNED, AGREE THAT THE PRODUCT AS REPRESENTED SATISFIES DESIGN AND DIMENSION REQUIREMENTS. I ALSO ACKNOWLEDGE MY DUTY TO CONFIRM PRODUCT AND INSTALLATION COMPLIANCE WITH ALL APPLICABLE FEDERAL, STATE AND LOCAL REGULATIONS AND STANDARDS.

**UNITS REQUIRING APPROVAL DRAWINGS OR MODIFIED ARE NON-RETURNABLE**

[ ] As drawn [ ] As marked

Signed: \_\_\_\_\_ Date: \_\_\_\_\_

Printed Name: \_\_\_\_\_

LEAD TIME WILL START UPON RECEIPT OF SIGNED APPROVAL DRAWING

DISTRIBUTOR'S NAME:		P.O.#
VESTIL MANUFACTURING		X
DRAWN BY: JWW	DATE: 9/29/2020	W.O.#
REFERENCE: X	SCALE: 1:20	X
QUOTED LEAD TIME: X	QUOTE #	SALES: X
	X	FILE NAME:
		37-007-151