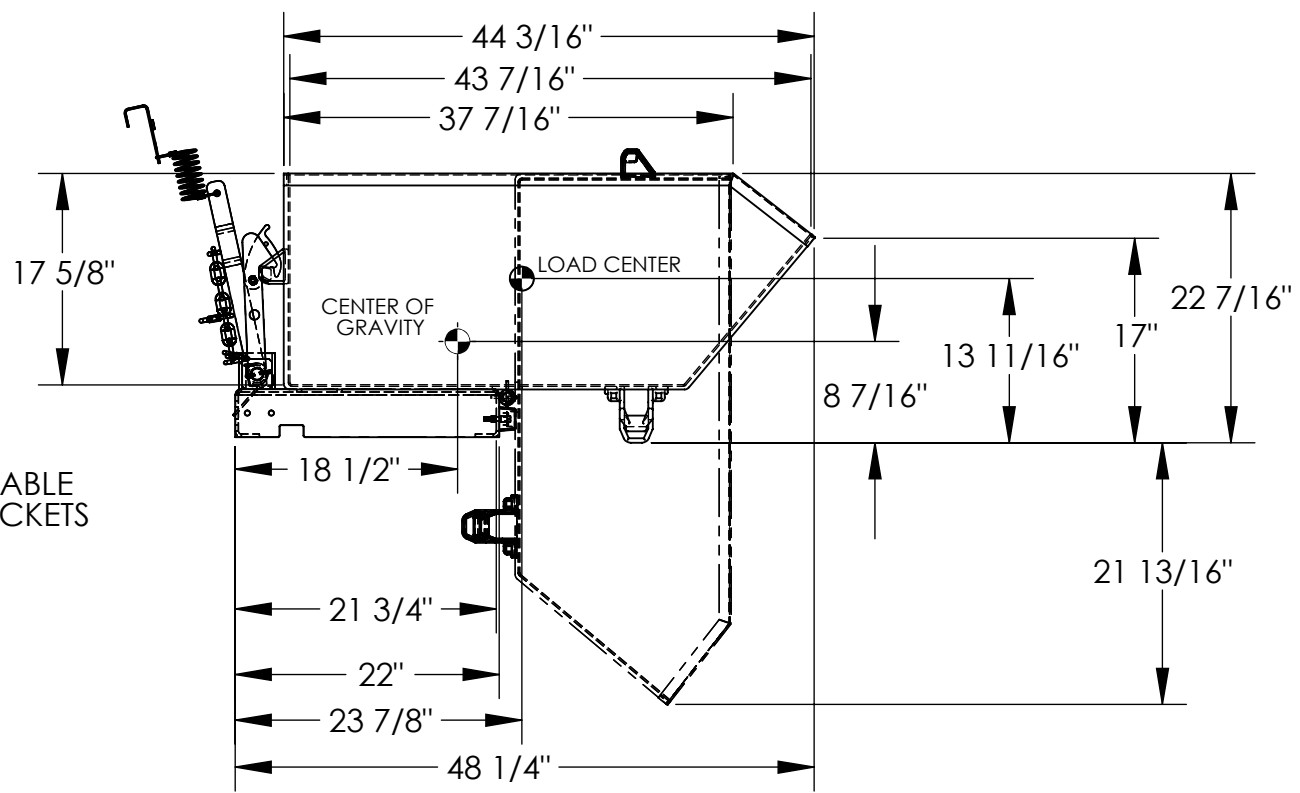
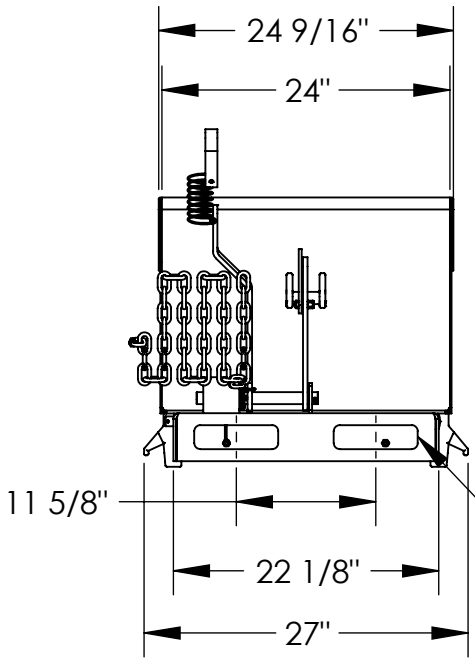


LOW PROFILE 90° SELF DUMPING HOPPER- H-33-MD

APPROX WEIGHT: 215.60 lbs.
 DOES NOT INCLUDE WEIGHT OF POWER OR PACKAGING!!!

*** ANY ADDITIONS, DELETIONS, OR OMISSIONS MUST BE CORRECTED ON THIS DRAWING AS THIS DRAWING WILL BE CONSIDERED ALL INCLUSIVE ***

ALL GRAPHICS PROVIDED ARE FOR REFERENCE ONLY. IF CERTAIN DIMENSIONS ARE CRITICAL PLEASE VERIFY THOSE DIMENSIONS WITH YOUR SALESPERSON



** ADDITION OF CASTERS MAY CHANGE WEIGHT CAPACITY BASED ON CASTER RATING

STANDARD FEATURES

- MODEL NUMBER: H-33-MD
- OVERALL WIDTH: 27"
- OVERALL LENGTH: 48 1/4"
- OVERALL HEIGHT: 22 7/16"
- BIN INSIDE WIDTH 24"
- BIN INSIDE LENGTH 43 7/16"
- BIN INSIDE HEIGHT 17 5/8"
- CAPACITY: 4,000 LBS.
- VOLUME: 1/3 CU. YRD.
- DURABLE BAKED IN POWDER COATED BLUE FINISH

APPROX. WEIGHT / LOST LOAD = 215.60
 MINIMUM EFFECTIVE THICKNESS =
 VERTICAL CENTER OF GRAVITY = 8 7/16"
 HORIZONTAL CENTER OF GRAVITY = 18 1/2"

NEVER EXCEED LOAD CENTER RATING PER FORKTRUCK MANUFACTURERS GUIDELINES.
 DO NOT USE THIS FORK TRUCK ATTACHMENT IF LOAD WILL EXCEED FORK TRUCK MANUFACTURER'S LOAD CENTER RATING

SPECIAL FEATURES

NONE

DIMENSION TOLERANCE ± 1/4"

APPROVAL

I, THE UNDERSIGNED, AGREE THAT THE PRODUCT AS REPRESENTED SATISFIES DESIGN AND DIMENSION REQUIREMENTS. I ALSO ACKNOWLEDGE MY DUTY TO CONFIRM PRODUCT AND INSTALLATION COMPLIANCE WITH ALL APPLICABLE FEDERAL, STATE AND LOCAL REGULATIONS AND STANDARDS.

UNITS REQUIRING APPROVAL DRAWINGS OR MODIFIED ARE NON-RETURNABLE

[] As drawn [] As marked

Signed: _____ Date: _____

Printed Name: _____

LEAD TIME WILL START UPON RECEIPT OF SIGNED APPROVAL DRAWING

DISTRIBUTOR'S NAME:		P.O.#
VESTIL MANUFACTURING		X
DRAWN BY: JWW		W.O.#
DATE: 9/29/2020		X
REFERENCE: X	SCALE: 1:16	SALES: X
QUOTED LEAD TIME: X	QUOTE # X	FILE NAME:
		37-007-148