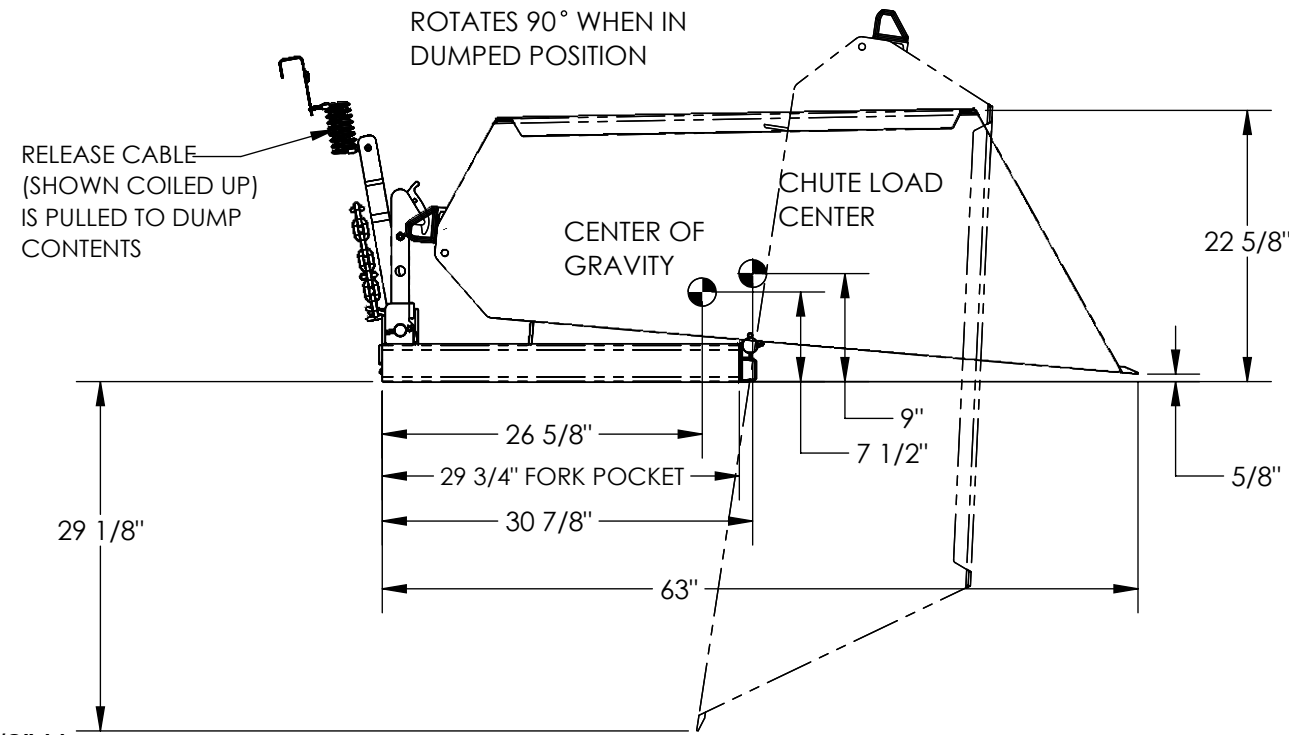
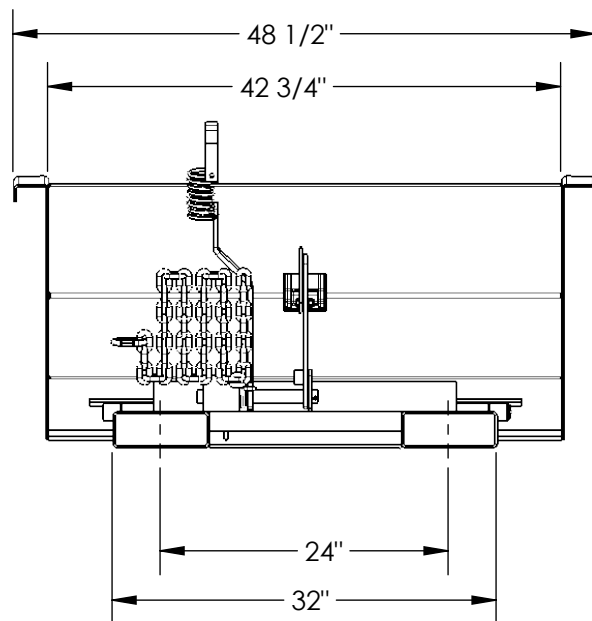


NARROW FORK MOUNTED FRONT LOADER - FL-4000-N

APPROX WEIGHT: 443.18 lbs.
DOES NOT INCLUDE WEIGHT OF POWER OR PACKAGING!!!

*** ANY ADDITIONS, DELETIONS, OR OMISSIONS MUST BE CORRECTED ON THIS DRAWING AS THIS DRAWING WILL BE CONSIDERED ALL INCLUSIVE ***

ALL GRAPHICS PROVIDED ARE FOR REFERENCE ONLY. IF CERTAIN DIMENSIONS ARE CRITICAL PLEASE VERIFY THOSE DIMENSIONS WITH YOUR SALESPERSON



STANDARD FEATURES

- MODEL NUMBER: FL-4000-N
- WEIGHT CAPACITY: 4,000 LBS
- VOLUME CAPACITY: 1 CU YD (APPROX.)
- USABLE FORK POCKETS ARE 7 1/2" W X 2 1/2" H ON 24" CENTERS AND ARE 29 3/4" LONG
- RELEASE CABLE IS AT LEAST 48"
- SAFETY CHAIN TO SECURE UNIT TO FORK TRUCK
- OVERALL DIMENSIONS: 48 1/2" W x 63" L x 22 5/8" H
- DURABLE BAKED IN POWDER COATED BLUE FINISH
- APPROX. WEIGHT / LOST LOAD = 443.18
- MINIMUM EFFECTIVE THICKNESS = FORK LENGTH - 29 3/4"
- VERTICAL CENTER OF GRAVITY = 7 1/2"
- HORIZONTAL CENTER OF GRAVITY = 26 5/8"

SPECIAL FEATURES

NONE

DIMENSION TOLERANCE ± 1/4"

NEVER EXCEED LOAD CENTER RATING PER FORKTRUCK MANUFACTURERS GUIDELINES. DO NOT USE THIS FORK TRUCK ATTACHMENT IF LOAD WILL EXCEED FORK TRUCK MANUFACTURER'S LOAD CENTER RATING

| | | |
|-----------------|--|------------------------------------|
| APPROVAL | I, THE UNDERSIGNED, AGREE THAT THE PRODUCT AS REPRESENTED SATISFIES DESIGN AND DIMENSION REQUIREMENTS. I ALSO ACKNOWLEDGE MY DUTY TO CONFIRM PRODUCT AND INSTALLATION COMPLIANCE WITH ALL APPLICABLE FEDERAL, STATE AND LOCAL REGULATIONS AND STANDARDS. | |
| | UNITS REQUIRING APPROVAL DRAWINGS OR MODIFIED ARE NON-RETURNABLE | |
| | <input type="checkbox"/> As drawn | <input type="checkbox"/> As marked |
| | Signed: _____ | Date: _____ |
| | Printed Name: _____ | |
| | <i>LEAD TIME WILL START UPON RECEIPT OF SIGNED APPROVAL DRAWING</i> | |

| | | |
|----------------------|-------------|-----------------------|
| DISTRIBUTOR'S NAME: | | P.O.# |
| VESTIL MANUFACTURING | | X |
| DRAWN BY: BJW | | W.O.# |
| DATE: 10/5/2013 | | X |
| REFERENCE: X | SCALE: 1:16 | SALES: X |
| QUOTED LEAD TIME: X | QUOTE # X | FILE NAME: 37-007-088 |