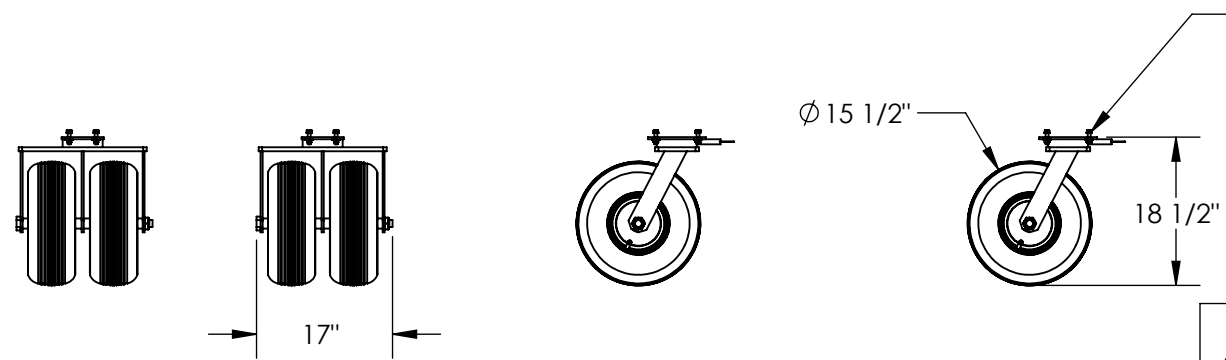
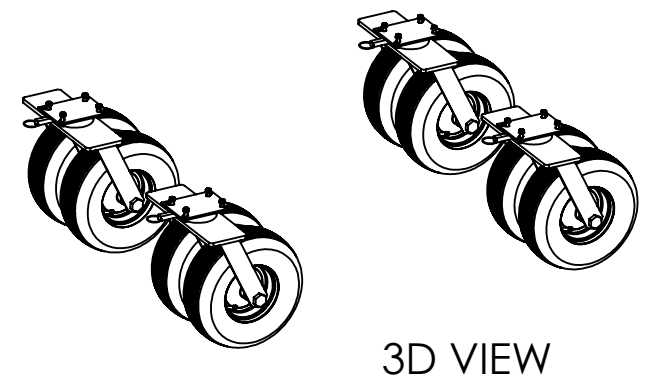
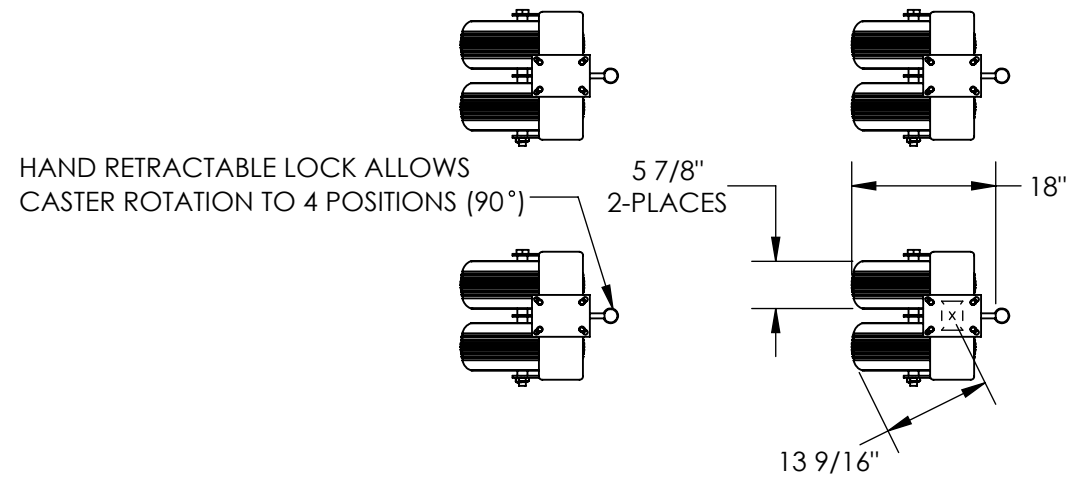


DUAL TIRE PNEUMATIC CASTER - AHA-PNU-DT4-RF

APPROX WEIGHT: 186.89 lbs.
 DOES NOT INCLUDE WEIGHT OF POWER OR PACKAGING!!!

*** ANY ADDITIONS, DELETIONS, OR OMISSIONS MUST BE CORRECTED ON THIS DRAWING AS THIS DRAWING WILL BE CONSIDERED ALL INCLUSIVE ***
 ALL GRAPHICS PROVIDED ARE FOR REFERENCE ONLY. IF CERTAIN DIMENSIONS ARE CRITICAL PLEASE VERIFY THOSE DIMENSIONS WITH YOUR SALESPERSON



NOTE: HEIGHT OF STANDARD AHA CASTER IS 9 1/2"

DIMENSION TOLERANCE ± 1/4"

STANDARD FEATURES

- MODEL NUMBER IS AHA-PNU-DT4-RF
- REPLACES (4) STANDARD CASTERS ON AHA 2K/4K UNITS
- SWIVEL CASTERS WITH (2) AIR FILLED RUBBER TIRES
- OVERALL WIDTH IS 17"
- OVERALL LENGTH IS 18"
- OVERALL HEIGHT IS 18 1/2"
- WILL INCREASE THE STD CRANE HEIGHT BY 9"
- MAX CAPACITY IS 1,000 POUNDS PER CASTER
 4,000 POUNDS FOR ALL (4) CASTERS

SPECIAL FEATURES

NONE

APPROVAL	I, THE UNDERSIGNED, AGREE THAT THE PRODUCT AS REPRESENTED SATISFIES DESIGN AND DIMENSION REQUIREMENTS. I ALSO ACKNOWLEDGE MY DUTY TO CONFIRM PRODUCT AND INSTALLATION COMPLIANCE WITH ALL APPLICABLE FEDERAL, STATE AND LOCAL REGULATIONS AND STANDARDS.	
	UNITS REQUIRING APPROVAL DRAWINGS OR MODIFIED ARE NON-RETURNABLE	
	[] As drawn [] As marked	
	Signed: _____ Date: _____	
Printed Name: _____		LEAD TIME WILL START UPON RECEIPT OF SIGNED APPROVAL DRAWING

DISTRIBUTOR'S NAME:		P.O.#
VESTIL MANUFACTURING		X
DRAWN BY: MTS		DATE: 01/14/2021
REFERENCE: X		SALES: X
QUOTED LEAD TIME: X		SCALE: 1:24
QUOTE # X		FILE NAME: 28-007-457