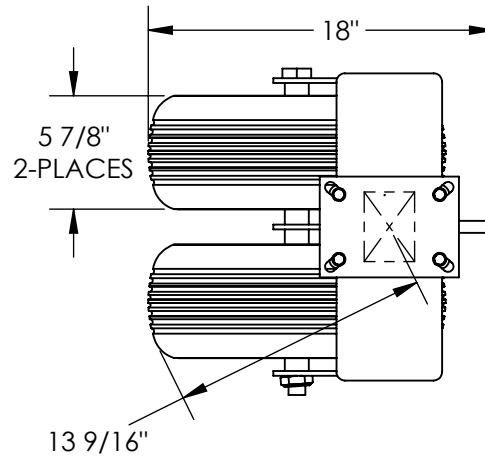


DUAL TIRE PNEUMATIC CASTER - AHA-PNU-DT-RF

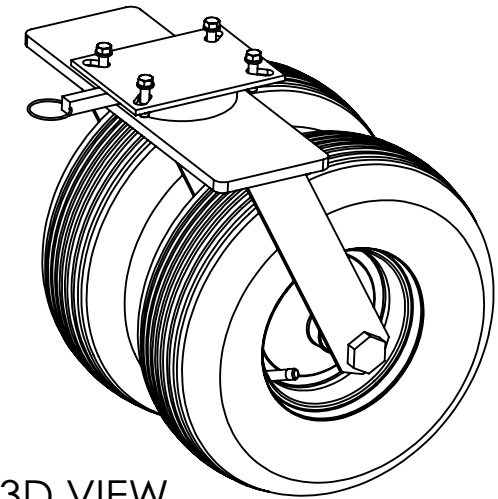
APPROX WEIGHT: 46.72 lbs.
 DOES NOT INCLUDE WEIGHT OF POWER OR PACKAGING!!!

*** ANY ADDITIONS, DELETIONS, OR OMISSIONS MUST BE CORRECTED ON THIS DRAWING AS THIS DRAWING WILL BE CONSIDERED ALL INCLUSIVE ***

ALL GRAPHICS PROVIDED ARE FOR REFERENCE ONLY. IF CERTAIN DIMENSIONS ARE CRITICAL PLEASE VERIFY THOSE DIMENSIONS WITH YOUR SALESPERSON



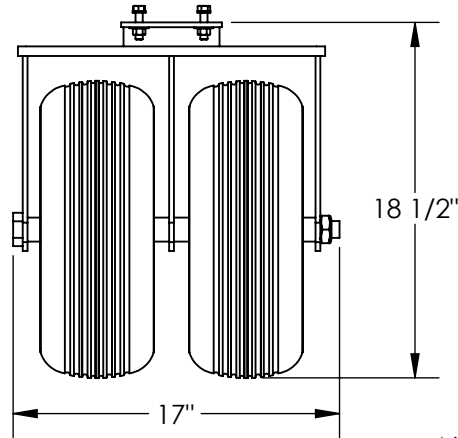
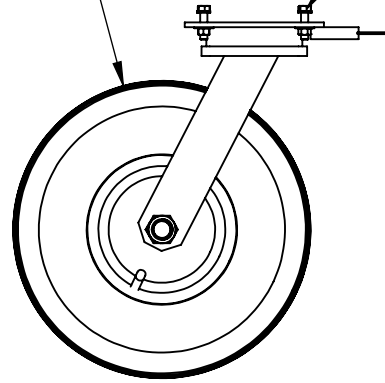
HAND RETRACTABLE LOCK ALLOWS
 CASTER ROTATION TO 4 POSITIONS (90°)



3D VIEW

HARDWARE INCLUDED
 FOR LEG AND CASTER
 ATTACHMENT

Ø 15 1/2"



NOTE: HEIGHT OF STANDARD
 AHA CASTER IS 9 1/2"

DIMENSION TOLERANCE ± 1/4"

STANDARD FEATURES

- MODEL NUMBER IS AHA-PNU-DT-RF
- REPLACES (1) STANDARD CASTER ON AHA 2K/4K UNITS
- SWIVEL CASTER WITH (2) AIR FILLED RUBBER TIRES
- OVERALL WIDTH IS 17"
- OVERALL LENGTH IS 18"
- OVERALL HEIGHT IS 18 1/2"
- WILL INCREASE THE STD CRANE HEIGHT BY 9"
- MAX CAPACITY IS 1,000 POUNDS

SPECIAL FEATURES

NONE

APPROVAL

I, THE UNDERSIGNED, AGREE THAT THE PRODUCT AS REPRESENTED SATISFIES DESIGN AND DIMENSION REQUIREMENTS. I ALSO ACKNOWLEDGE MY DUTY TO CONFIRM PRODUCT AND INSTALLATION COMPLIANCE WITH ALL APPLICABLE FEDERAL, STATE AND LOCAL REGULATIONS AND STANDARDS.
UNITS REQUIRING APPROVAL DRAWINGS OR MODIFIED ARE NON-RETURNABLE
 As drawn As marked

Signed: _____ Date: _____

Printed Name: _____

LEAD TIME WILL START UPON RECEIPT OF SIGNED APPROVAL DRAWING

| | | |
|----------------------|-------------|------------------|
| DISTRIBUTOR'S NAME: | | P.O.# |
| VESTIL MANUFACTURING | | X |
| DRAWN BY: MTS | | DATE: 01/14/2021 |
| W.O.# | | X |
| REFERENCE: X | SCALE: 1:10 | SALES: X |
| QUOTED LEAD TIME: X | QUOTE # | FILE NAME: |
| | X | 28-007-456 |