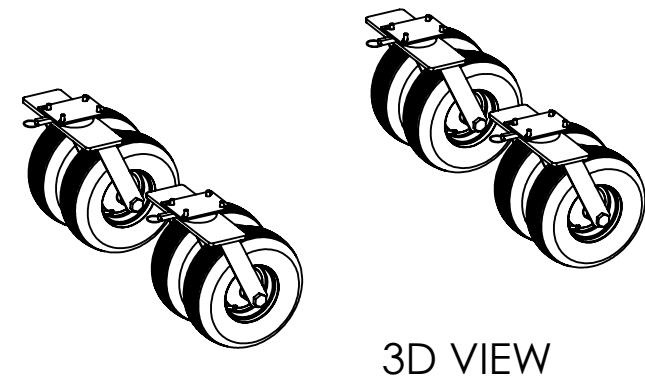
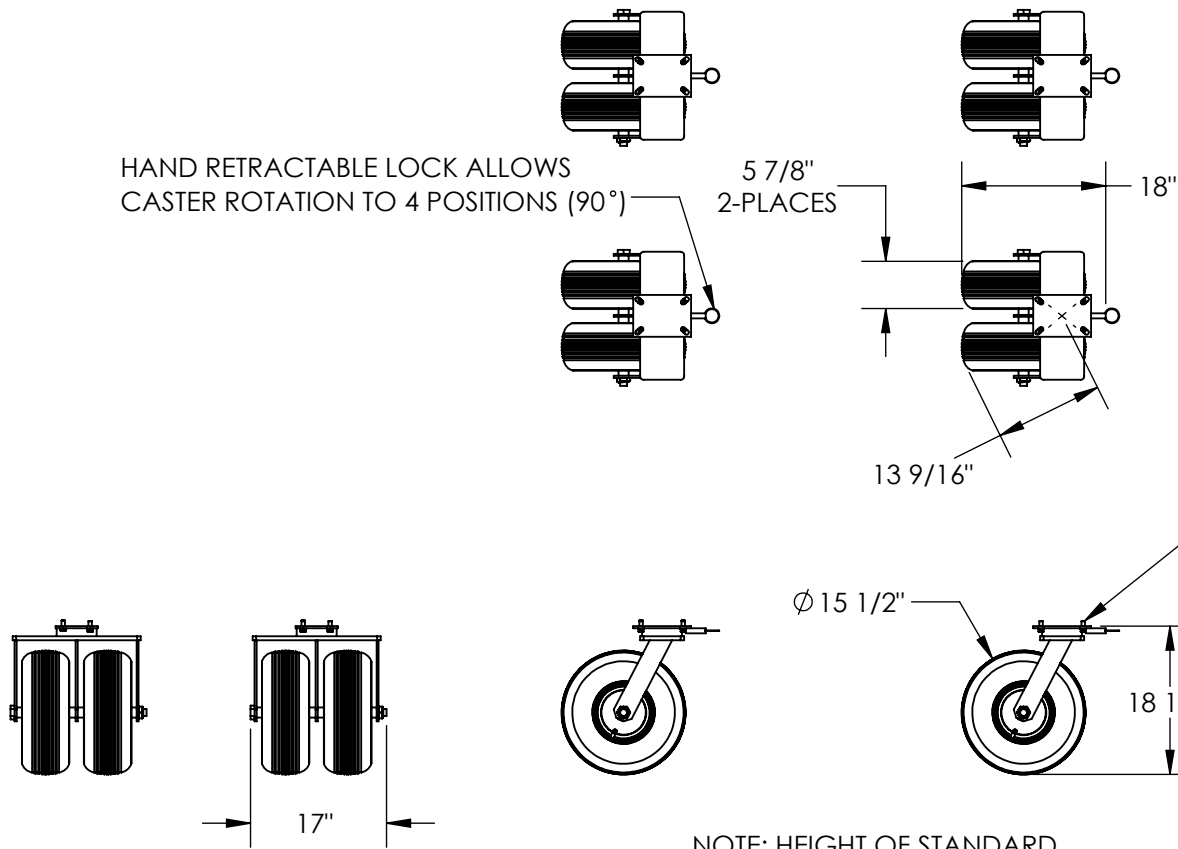


DUAL TIRE PNEUMATIC CASTER - AHS-PNU-DT4-RF

APPROX WEIGHT: 186.54 lbs.
DOES NOT INCLUDE WEIGHT OF POWER OR PACKAGING!!!

*** ANY ADDITIONS, DELETIONS, OR OMISSIONS MUST BE CORRECTED ON THIS DRAWING AS THIS DRAWING WILL BE CONSIDERED ALL INCLUSIVE ***
ALL GRAPHICS PROVIDED ARE FOR REFERENCE ONLY. IF CERTAIN DIMENSIONS ARE CRITICAL PLEASE VERIFY THOSE DIMENSIONS WITH YOUR SALESPERSON



3D VIEW

STANDARD FEATURES

- MODEL NUMBER IS AHS-PNU-DT4-RF
- REPLACES (4) STANDARD CASTERS ON AHS 2K/4K UNITS
- SWIVEL CASTERS WITH (2) AIR FILLED RUBBER TIRES
- OVERALL WIDTH IS 17"
- OVERALL LENGTH IS 18"
- OVERALL HEIGHT IS 18 1/2"
- WILL INCREASE THE STD CRANE HEIGHT BY 9"
- MAX CAPACITY IS 1,000 POUNDS PER CASTER
- 4,000 POUNDS FOR ALL (4) CASTERS

SPECIAL FEATURES

NONE

NOTE: HEIGHT OF STANDARD AHS CASTER IS 9 1/2"

HARDWARE INCLUDED FOR LEG AND CASTER ATTACHMENT

DIMENSION TOLERANCE ± 1/4"

APPROVAL	I, THE UNDERSIGNED, AGREE THAT THE PRODUCT AS REPRESENTED SATISFIES DESIGN AND DIMENSION REQUIREMENTS. I ALSO ACKNOWLEDGE MY DUTY TO CONFIRM PRODUCT AND INSTALLATION COMPLIANCE WITH ALL APPLICABLE FEDERAL, STATE AND LOCAL REGULATIONS AND STANDARDS.	
	UNITS REQUIRING APPROVAL DRAWINGS OR MODIFIED ARE NON-RETURNABLE	
	[] As drawn [] As marked	
	Signed: _____	Date: _____
Printed Name: _____		
<i>LEAD TIME WILL START UPON RECEIPT OF SIGNED APPROVAL DRAWING</i>		

DISTRIBUTOR'S NAME:		P.O.#
VESTIL MANUFACTURING		X
		W.O.#
DRAWN BY: MTS		X
DATE: 01/14/2021		SALES:
REFERENCE: X		X
SCALE: 1:24		FILE NAME:
QUOTED LEAD TIME: X		28-007-459
QUOTE #		X