

GREEN SERIES 700DD-EC

Filtered Fresh Air Supply Units



FEATURES

- High efficiency direct drive motor for energy efficient low maintenance applications.
- Grey, weather resistant baked powder coat finish.
- Latched top cover provides convenient service access to 4 filters.
- EC Motor offers true variable speed operation and up to 70% energy savings over PSC motors.

PERFORMANCE SPECIFICATIONS

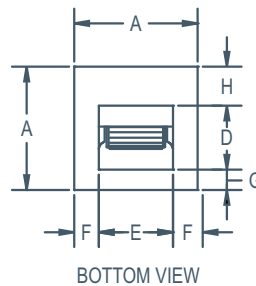
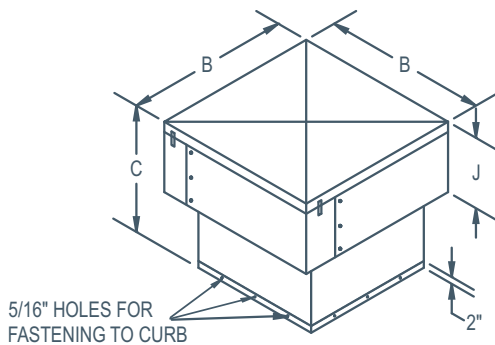
MODEL	MOTOR			Speed	TYPICAL MAXIMUM CFM @ SP																			
	HP	Variable Speed	Max RPM		1/4"				1/2"				3/4"				1"				1 1/4"			
					CFM	BHP	FEI	FEPact (KW)	CFM	BHP	FEI	FEPact (KW)	CFM	BHP	FEI	FEPact (KW)	CFM	BHP	FEI	FEPact (KW)	CFM	BHP	FEI	FEPact (KW)
709DD050EC	1/2	Y*	1200	High	1850	-	-	-	1650	-	-	-	1425	-	-	-	1250	-	-	-	500	-	-	-
				Low	600	-	-	-	500	-	-	-	500	-	-	-	500	-	-	-	450	-	-	-
709DD100EC	1	Y*	1200	High	2400	0.99	0.84	0.88	2275	0.99	0.93	0.88	2087	0.97	0.98	0.87	1400	0.59	1.16	0.55	472	0.28	1.16	0.28
				Low	600	0.06	2.00	0.09	500	0.10	1.66	0.13	500	0.16	1.42	0.18	500	0.22	1.28	0.23	400	0.26	1.13	0.27
710DD050EC	1/2	Y*	1100	High	1900	-	-	-	1400	-	-	-	1050	-	-	-	750	-	-	-	500	-	-	-
				Low	600	-	-	-	500	-	-	-	500	-	-	-	500	-	-	-	400	-	-	-
710DD100EC	1	Y*	1100	High	2600	0.97	0.83	0.87	2250	0.98	0.83	0.87	1900	0.99	0.80	0.88	1600	0.77	0.99	0.70	700	0.59	0.77	0.55
				Low	600	0.10	1.44	0.09	500	0.16	1.17	0.18	500	0.26	0.95	0.27	500	0.37	0.95	0.36	400	0.44	1.13	0.27
712DD050EC	1/2	Y*	1000	High	2650	-	-	-	2300	-	-	-	1900	-	-	-	1425	-	-	-	1100	-	-	-
				Low	800	-	-	-	600	-	-	-	600	-	-	-	600	-	-	-	500	-	-	-
712DD100EC	1	Y*	1000	High	3575	1.00	1.09	0.89	3250	0.98	1.17	0.87	2950	0.98	1.22	0.87	2675	0.99	1.25	0.88	2000	0.80	1.30	0.72
				Low	800	0.08	1.96	0.11	600	0.11	1.70	0.13	600	0.18	1.42	0.20	600	0.25	1.27	0.26	600	0.33	1.15	0.33

* Minimum motor speed 425 RPM (EC Models)

EC motors can be controlled using the built in potentiometer on motor or by using a 0 to 10 V controller, or by a remote potentiometer.

REVIEW FAN CURVES BEFORE ADJUSTING RPM TO ENSURE LOAD DOES NOT EXCEED MOTOR HP.

DIMENSIONS



MODEL	A	B	C	D	E	F	G	H	J	FILTERS		*INSIDE CABINET	WEIGHT (lbs) without motor
										SIZE	QUANTITY		
709DD	24 3/8"	32 3/8"	24 3/8"	10 1/4"	11 13/16"	6 9/32"	7 1/16"	7 1/16"	10 1/4"	10"x 20"	4	24"x 24"	84
710DD	28 3/8"	38 1/2"	28 1/4"	11 3/8"	13 1/8"	7 5/8"	8 1/2"	8 1/2"	12 1/4"	12"x 24"	4	28"x 28"	108
712DD	32 3/8"	42 5/8"	31 3/8"	13 7/16"	15 5/8"	8 3/8"	9 15/32"	9 15/32"	16 1/2"	16"x 25"	4	32"x 32"	150

* Curb size to be smaller than inside cabinet to allow for flashing and roofing.