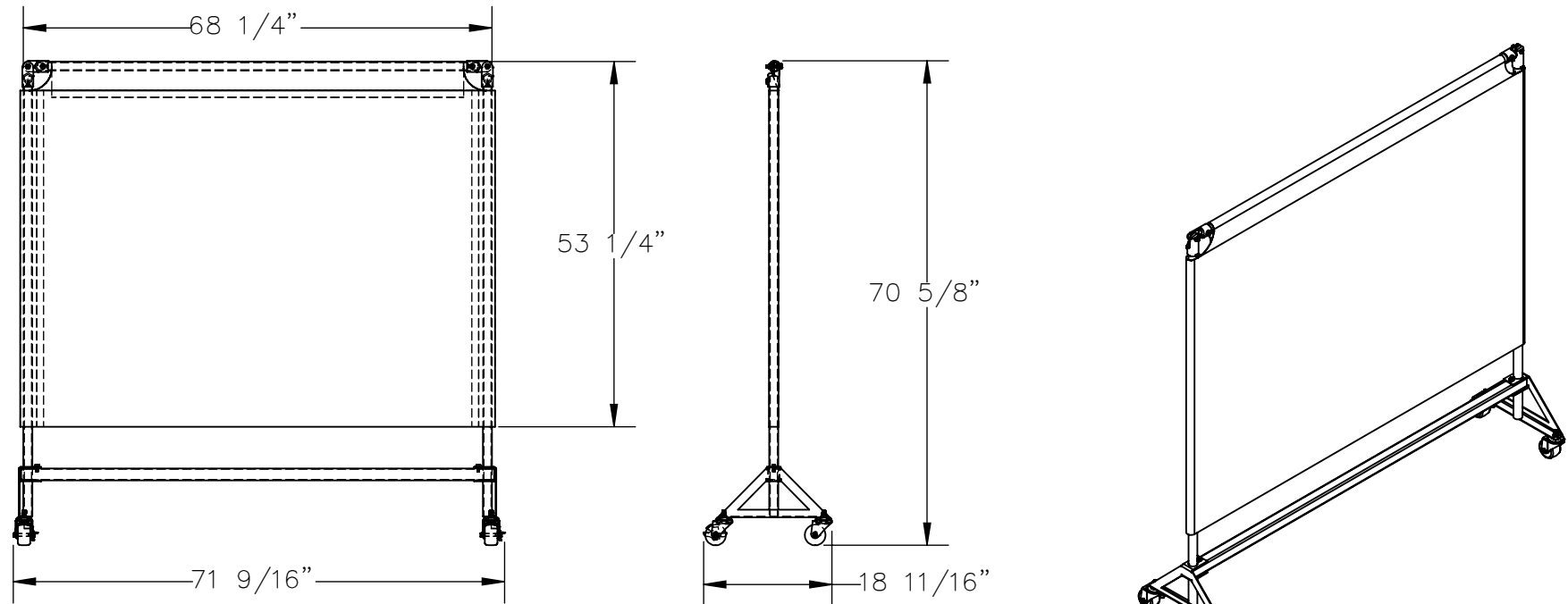


PORTABLE WELDING SCREEN 70 X 70 - PWS-7070

APPROX WEIGHT: 71.71 lbs.
 DOES NOT INCLUDE WEIGHT OF POWER OR PACKAGING!!!

*** ANY ADDITIONS, DELETIONS, OR OMISSIONS MUST BE CORRECTED ON THIS DRAWING AS THIS DRAWING WILL BE CONSIDERED ALL INCLUSIVE ***

ALL GRAPHICS PROVIDED ARE FOR REFERENCE ONLY. IF CERTAIN DIMENSIONS ARE CRITICAL PLEASE VERIFY THOSE DIMENSIONS WITH YOUR SALESPERSON



3" x 1 1/4" STEM SWIVEL CASTER W/BRAKE

3" x 1 1/4" STEM SWIVEL CASTER

DIMENSION TOLERANCE ± 1/4"

STANDARD FEATURES

- MODEL NUMBER IS PWS-7070
- OVERALL WIDTH IS 18 11/16"
- OVERALL LENGTH IS 71 9/16"
- USABLE LENGTH IS 68 1/4"
- OVERALL HEIGHT IS 70 5/8"
- USABLE HEIGHT IS 53 1/4"
- 14 MIL TINTED TRANSPARENT VINYL SMOKE GRAY
- BOLT TOGETHER DESIGN FOR QUICK SETUP AND KNOCKDOWN
- FRAME IS DURABLE BAKED IN POWDER COAT YELLOW FINISH

SPECIAL FEATURES

NONE

APPROVAL	I, THE UNDERSIGNED, AGREE THAT THE PRODUCT AS REPRESENTED SATISFIES DESIGN AND DIMENSION REQUIREMENTS. I ALSO ACKNOWLEDGE MY DUTY TO CONFIRM PRODUCT AND INSTALLATION COMPLIANCE WITH ALL APPLICABLE FEDERAL, STATE AND LOCAL REGULATIONS AND STANDARDS.	
	UNITS REQUIRING APPROVAL DRAWINGS OR MODIFIED ARE NON-RETURNABLE	
	[] As drawn [] As marked	
Signed: _____		Date: _____
Printed Name: _____		
<i>LEAD TIME WILL START UPON RECEIPT OF SIGNED APPROVAL DRAWING</i>		

DISTRIBUTOR'S NAME:		P.O.#
VESTIL MANUFACTURING		X
		W.O.#
DRAWN BY: EAG		X
DATE: 2/11/2025		SALES: X
REFERENCE: X	SCALE: 1:25	FILE NAME:
QUOTED LEAD TIME: X	QUOTE # X	29-007-360