

Register & Subscribe today to protect your investment and join our email list!



Solar Wall Mounted Light (2-Pack) – Black

INSTALLATION INSTRUCTIONS

Get exclusive offers and deals when you subscribe!

Thank you for choosing Home Zone Security!
We are here to support you every step of the way.

Please be sure to contact our customer support for troubleshooting and register your product for additional benefits. Products must be sold by an authorized reseller or distributor to be valid.

Why Register?

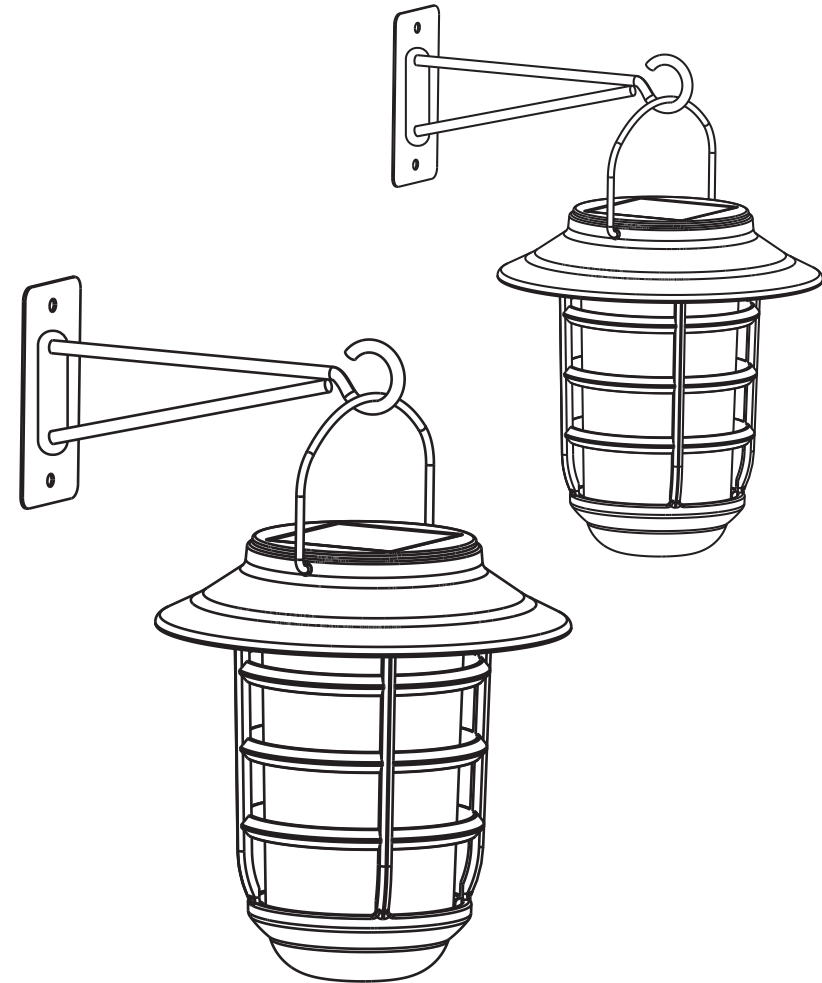
- Receive your extended warranty
- Get professional warranty support
- Be the first to hear the latest product news
- Get exclusive deals delivered to your email



Customer Service
homezonesecurity.com
support@homezone-usa.com
+1 888-782-5618



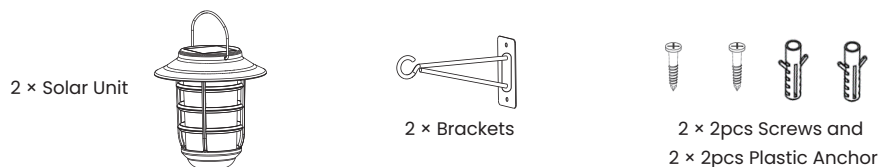
Distributed by
Horizon Marketing Group, LLC 
4198 Industry Way,
Flowery Branch, GA 30542, USA
Made in China



Questions, concerns, or need replacement parts?
Please contact our Customer Loyalty Team at:
support@homezone-usa.com or 1-888-782-5618
Monday - Friday
8AM - 5PM EST

Model No. ELJ7990V

What's in the box



Parameter

- 01 Dimension: 8.66 inch x 6.30 inch x 10.04 inch
- 02 Light sources: 8pcs warm white LED (2700~3000K)
- 03 Brightness: 20 lumens

How to operate and install

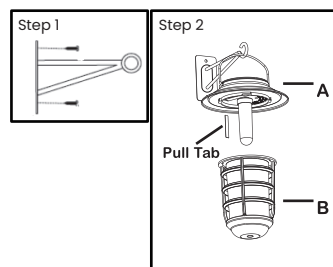
STEP 1

- Choose desired wall location. Drill two holes on the wall (use the two mounting holes as template for the screw locations as shown in Step 1). Insert the plastic anchors and screw the Bracket with the two screws into the wall tightly.

STEP 2

- Twist the Top Cap (Part A) and remove it from the Glass Lens (Part B), take out the Pull Tab from the battery door, and then replace the Top Cap (Part A).
- Hang the Solar Lantern (Part A & B) on the Bracket.

Note: Lights with crystalline panels may have a protective film over the solar panel. This must be removed prior to use.



Important safety operating instructions

PLEASE READ CAREFULLY AND SAVE THESE INSTRUCTIONS, AS YOU MAY NEED THEM AT A LATER DATE.

⚠ IMPORTANT SAFETY OPERATING INSTRUCTIONS

- 01 Please read all warning and instruction labels which are included in the box and fixture to avoid personal injury, property damage caused by fire, cuts, bruises, death and other dangers.
- 02 Please follow these general precautions before installing, maintaining, or fixing.

Precaution

- 01 It is important to select an outdoor location with full direct sunlight where the solar panel can receive at least 10 hours of sunlight each day.
- 02 It is important to avoid placing the solar light by light sources, such as street lights or porch lights, which may cause the solar light to turn off automatically.
- 03 To avoid explosion and corrosion, please keep the solar light away from fire and humid environment.
- 04 No striking to avoid any damages to solar cell.

Warning

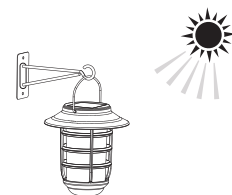
⚠ **WARNING:** This product can expose you to chemicals including lead and lead compounds, Di (2-ethylhexyl) phthalate (DEHP), which are known to the State of California to cause cancer and birth defects or other reproductive harm. For more information go to www.P65Warnings.ca.gov.

- 01 This package contains small parts that could be swallowed by children
- 02 Keep the packaging material away from children and pets
- 03 The solar light is not a toy
- 04 We do not take responsibility if the instruction manual is not followed correctly or if the product is handled improperly resulting in damage to person or property

Cleaning and maintenance

- 01 Use a damp cloth to clean the solar panel
- 02 To avoid any damage to this light, please do not use any chemical or abrasive cleaner

How it works



Solar panel collects sunlight to charge the battery (included) during the day



Automatically turns on at dusk for up to 10 hours of nighttime illumination

Rechargeable battery

This product contains (1)3.2V 14500 500mAh LiFeP04 rechargeable battery. When the battery expires, it must be recycled or disposed of properly. Please contact your local waste disposal authority for correct procedure. Do not put battery into fire.

Battery replacement

- 01 Twist the Top Cap (Part A) and remove it from the Glass Lens (Part B).
- 02 Open the battery chamber cover on the bottom of the Top Cap (Part A).
- 03 Replace rechargeable battery only with the same or equivalent type and making sure the polarity is correct.
- 04 Place back the battery chamber cover.

