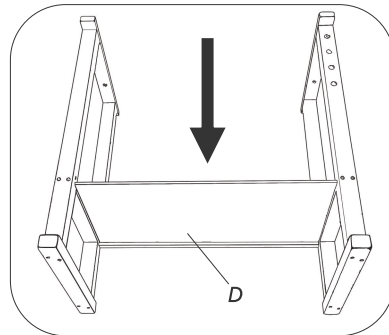
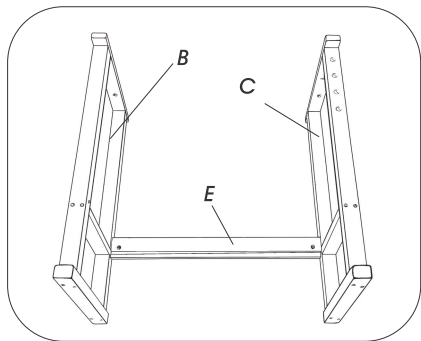
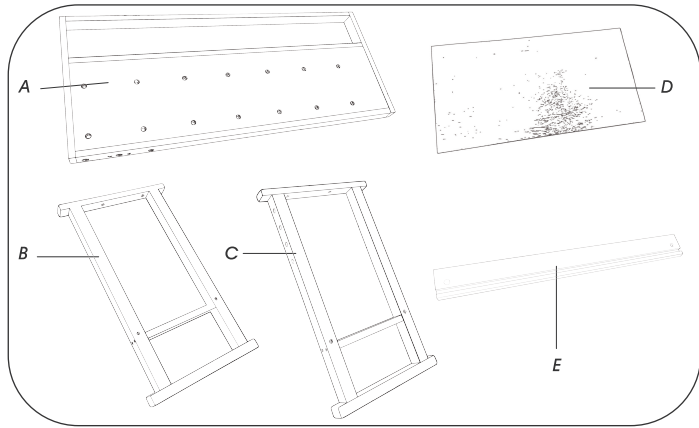
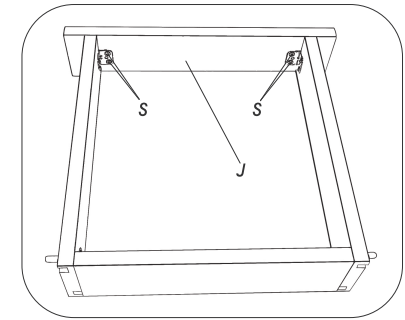
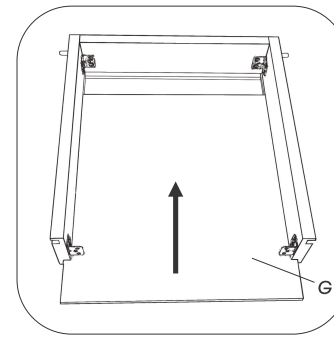
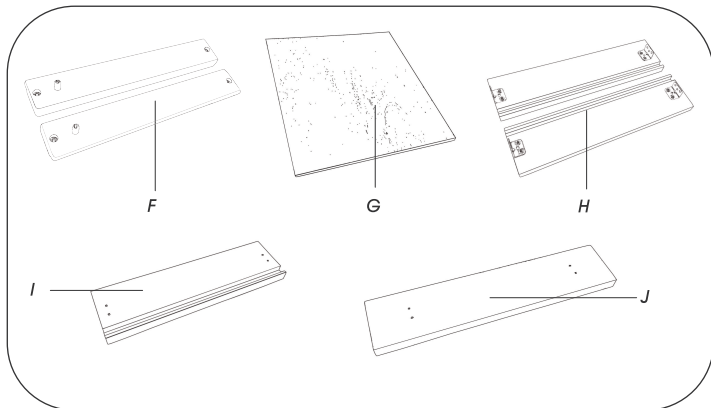


# ASSEMBLY INSTRUCTIONS....cont

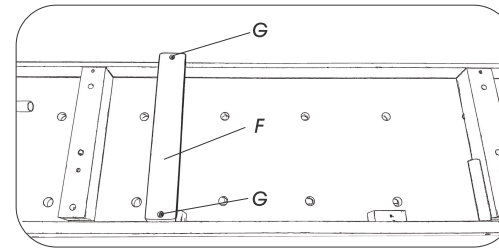
## Step 1: TABLETOP & LEGS



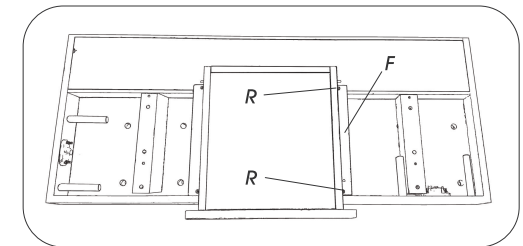
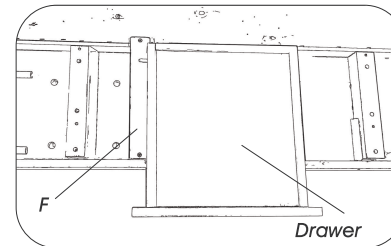
## Step 2: DRAWER



## Step 3: DRAWER RAILS



- Secure the Drawer Runner (F) in place with 2 x Screws (R).



## Step 4: FINISHED

