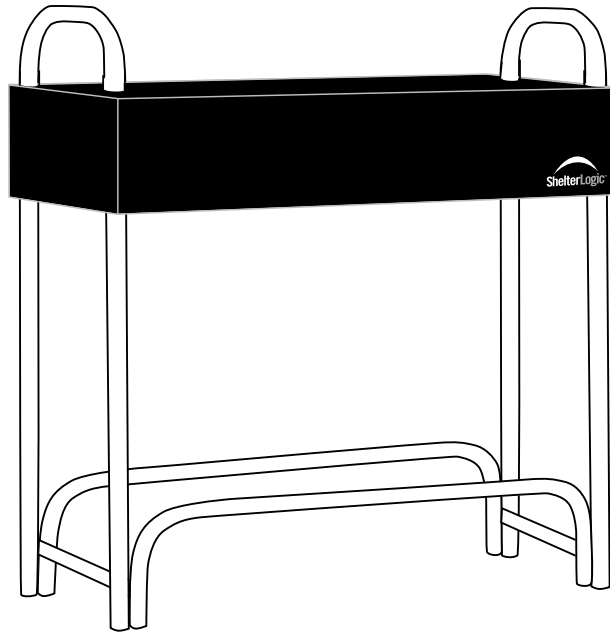
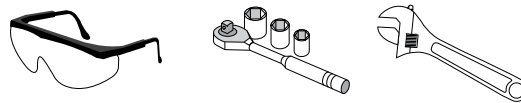


# 4' Covered Firewood Rack Assembly Instructions



DESCRIPTION	MODEL #
4' Covered Firewood Rack	90401

## RECOMMENDED TOOLS



Please read instructions **COMPLETELY** before assembly. This shelter **MUST** be securely anchored. THIS IS A TEMPORARY STRUCTURE AND NOT RECOMMENDED AS A PERMANENT STRUCTURE.

Before you start: 1+ individual recommended for assembly, approximate time 1 hr.

  
**ShelterLogic**<sup>®</sup>  
150 Callender Road  
Watertown, CT 06795  
[www.shelterlogic.com](http://www.shelterlogic.com)

**1-800-524-9970**

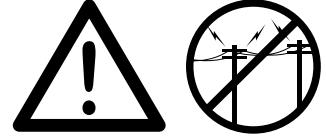
Canada:  
**1-800-559-6175**

## ATTENTION:

This shelter product is manufactured with quality materials. It is designed to fit the **ShelterLogic®**, LLC custom fabric cover included. **ShelterLogic®**, LLC Racks offer storage and protection from damage caused by the environment. Please read and understand the installation detail, warnings and cautions prior to beginning installation. If you have any questions call the customer service number listed below. Please refer to the warranty card inside this package. **ShelterLogic®**, LLC is not responsible for damage to the unit or the contents from acts of nature.

## DANGER:

Choose the location of your shelter carefully. **DANGER: Keep away from electrical wires.** DO NOT install near roof lines or other structures that could shed snow, ice or excessive run off onto your rack or cover.



## WARNING:

Risk of fire. DO NOT smoke or use open flame devices in or around the rack. DO NOT store flammable liquids (gasoline, kerosene, propane, etc.) Do not expose top or sides of the rack to open fire or other flame source. DO NOT overstack wood. DO NOT stack wood beyond the height of the end pipes.



## CAUTION:

Use **CAUTION** when erecting the frame. Use safety goggles during installation.

## REPLACEMENT PARTS, ASSEMBLY, SPECIAL ORDERS:

Genuine **ShelterLogic®**, LLC replacement parts and accessories are available from the factory, including anchoring kits for nearly any application, replacement covers, frame parts, and other accessories. All items are shipped factory direct to your door.

**QUESTIONS - CLAIMS - SPECIAL ORDERS? CALL OUR CUSTOMER SERVICE HOTLINE:**

**U.S. CUSTOMER SERVICE: 1-800-524-9970 INTERNATIONAL CUSTOMER SERVICE: 001-860-945-6442 CANADA CUSTOMER SERVICE: 1-800-559-6175**

**HOURS OF OPERATION: MON-FRI 8:30AM-8:00PM EST, SAT-SUN 8:30AM-5:00PM EST.**

## CARE AND CLEANING:

Immediately remove any accumulated snow or ice from the fabric with a broom, mop or other soft-sided instrument. DO NOT use hard-edged tools or instruments like rakes or shovels to remove snow. This could result in punctures to the cover. DO NOT use bleach or harsh abrasive products to clean the fabric cover. Cover is easily cleaned with mild soap and water.

## WARRANTY:

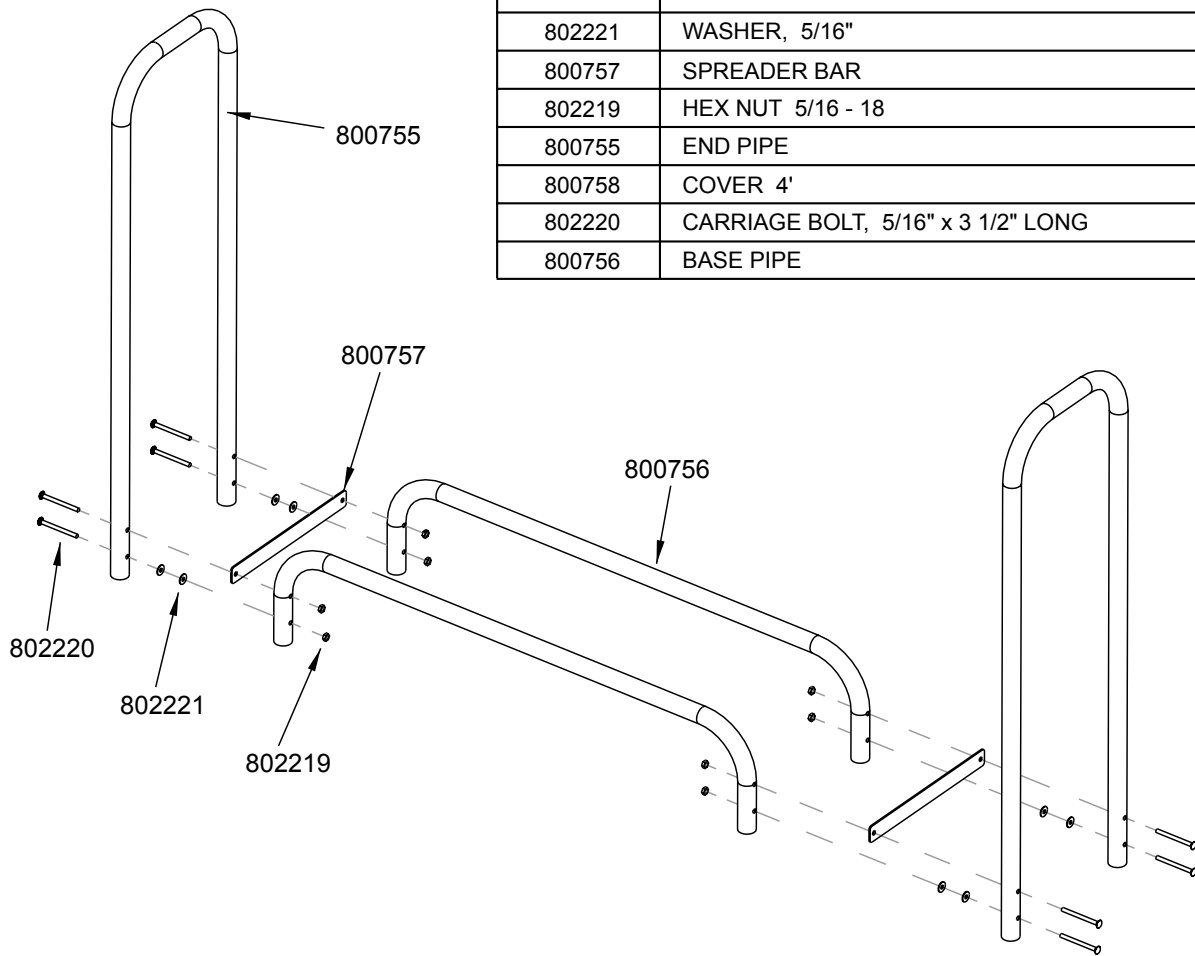
This rack carries a full limited warranty against defects in workmanship. **ShelterLogic®**, LLC warrants to the Original Purchaser that if properly used and installed, the product and all associated parts, are free from manufacturer's defects for a period of:

**1 YEAR FOR COVER FABRIC AND FRAMEWORK**

Warranty period is determined by date of shipment from **ShelterLogic®**, LLC for factory direct purchases or date of purchase from an authorized reseller, (please save a copy of your purchase receipt). If this product or any associated parts are found to be defective or missing at the time of receipt, **ShelterLogic®**, LLC will repair or replace, at it's option, the defective parts at no charge to the original purchaser. Replacement parts or repaired parts shall be covered for the remainder of the Original Limited Warranty Period. All shipping costs will be the responsibility of the customer. Parts and replacements will be sent C.O.D. You must save the original packaging materials for shipment back. If you purchased from a local dealer, all claims must have a copy of original receipt. Check with your insurance carrier for any damage as you would for any other outdoor structure or personal property claim. After purchase, please fill out and return warranty card for product registration. Please see warranty card for more details.

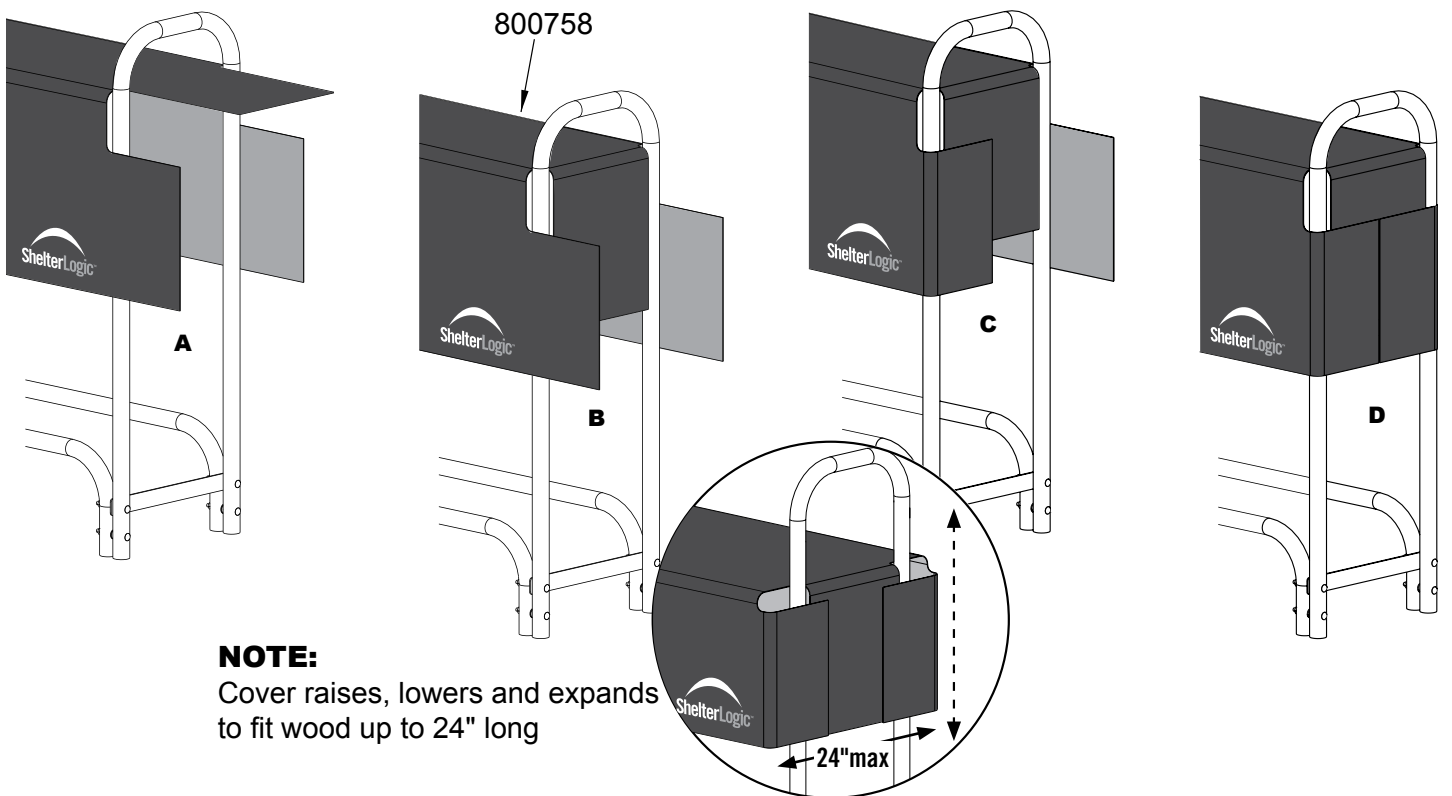
# 1. ASSEMBLE FRAME

PART NO.	DESCRIPTION	QTY.
802221	WASHER, 5/16"	8
800757	SPREADER BAR	2
802219	HEX NUT 5/16 - 18	8
800755	END PIPE	2
800758	COVER 4'	1
802220	CARRIAGE BOLT, 5/16" x 3 1/2" LONG	8
800756	BASE PIPE	2



# 2. ATTACH THE FABRIC COVER

Once the rack is loaded with wood, attach the cover as shown.



**NOTE:**  
Cover raises, lowers and expands to fit wood up to 24" long