

POWERHORSE™

200cc GASOLINE LAWN MOWER

Owner's Manual



WARNING: Read carefully and understand all ASSEMBLY AND OPERATION INSTRUCTIONS before operating. Failure to follow the safety rules and other basic safety precautions may result in serious personal injury.

Item # 6651269

READ & SAVE THESE INSTRUCTIONS

Thank you very much for choosing a Powerhorse product!

For future reference, please complete the owner's record below:

Serial Number/Lot Date Code (if applicable): _____

Purchase Date: _____

Save the receipt, warranty, and this manual. It is important that you read the entire manual to become familiar with this product before you begin using it.

This product is designed for certain applications only. Northern Tool and Equipment is not responsible for issues arising from modification or improper use of this product such as an application for which it was not designed. We strongly recommend that this product not be modified and/or used for any application other than that for which it was designed.

For technical questions, please call **1-800-222-5381**.

Table of Contents

Intended Use	4
Packaging Contents	4
Technical Specifications	4
Important Safety Information.....	5
Specific Operation Warnings	7
Main Parts of Product	11
Assembly Instructions	12
Before Each Use	14
Operating Instructions	14
After Each Use	17
Maintenance	18
Troubleshooting	22
Parts Diagram	23
Parts List	24
Replacement Parts.....	29
Limited Warranty	30

Technical Specifications

Property	Specification
Cutting Width	21"
Cutting Height	1.3" - 3.46"
Wheels	7" Front, 11" Rear
Engine	Gasoline, 4-Stroke Air Cooled
Engine Displacement	200cc
Rated Speed	2800rpm
Full Tank Capacity	1.2L
Oil Tank Capacity	0.4L

Important Safety Information

⚠️WARNING

- Read and understand all instructions. Failure to follow all instructions may result in serious injury or property damage.
- The warnings, cautions, and instructions in this manual cannot cover all possible conditions or situations that could occur. Exercise common sense and caution when using this equipment. Always be aware of the environment and ensure that the equipment is used in a safe and responsible manner.
- Do not allow persons to operate or assemble the product until they have read this manual and have developed understanding of how it works.
- Do not modify this product in any way. Unauthorized modification may impair the function and/or safety and could affect the life of the product. There are specific applications for which the product was designed.
- Use the right equipment for the job. DO NOT attempt to force small equipment to do the work of larger industrial equipment. There are certain applications for which this equipment was designed. This product will be safer and do a better job at the capacity for which it was intended. DO NOT use this equipment for a purpose for which it was not intended.
- Industrial or commercial applications must follow OSHA requirements.

⚠️WARNING

PROP 65

- This product can expose you to chemicals including lead, which is known to the State of California to cause cancer. For more information, go to www.p65warnings.ca.gov.
- Some dust created by power sanding, sawing, grinding, drilling, and other construction activities contains chemicals known to the state of California to cause cancer, birth defects, or other reproductive harm. Some examples of these chemicals are:
 - - lead from lead-based paints,
 - - crystalline silica from bricks and cement and other masonry products, and
 - - arsenic and chromium from chemically treated lumber.
- Your risk from these exposures varies depending on how often you do this type of work. To reduce your exposure to these chemicals, work in a well-ventilated area, and work with approved safety equipment, such as dust masks that are specially designed to filter out microscopic particles.
- Handling power cords on corded products may expose you to lead, a chemical known to the state of California to cause cancer and birth defects or other reproductive harm. Wash your hands after handling.

⚠️WARNING

WORK AREA SAFETY

- Inspect the work area before each use. Keep work area clean, dry, free of clutter, and well-lit. Cluttered, wet, or dark work areas can result in injury. Using the product in confined work areas may put you dangerously close to cutting tools and rotating parts.

- Do not use the product where there is a risk of causing a fire or an explosion, e.g., in the presence of flammable liquids, gases, or dust. The product can create sparks, which may ignite the flammable liquids, gases, or dust.
- Do not allow the product to come into contact with an electrical source. The equipment is not insulated, and contact will cause electrical shock.
- Keep children and bystanders away from the work area while operating the equipment. Do not allow children to handle the product.
- Be aware of all power lines, electrical circuits, water pipes, and other mechanical hazards in your work area. Some of these hazards may be hidden from your view and may cause personal injury and/or property damage if contacted.

⚠WARNING

PERSONAL SAFETY

- Stay alert, watch what you are doing, and use common sense when operating the equipment. Do not use the equipment while you are tired or under the influence of drugs, alcohol, or medication. A moment of inattention while operating the equipment may result in serious personal injury.
- Dress properly. Do not wear loose clothing, dangling objects, or jewelry. Keep your hair, clothing and gloves away from moving parts. Loose clothes, jewelry, or long hair can be caught in moving parts. Air vents on the equipment often cover moving parts and should be avoided.
- Wear the proper personal protective equipment when necessary. Use ANSI Z87.1 compliant safety goggles (not safety glasses) with side shields, or when needed, a face shield. Use a dust mask in dusty work conditions. Also use non-skid safety shoes, hardhat, gloves, dust collection systems, and hearing protection when appropriate. This applies to all persons in the work area.
- Do not overreach. Always keep proper footing and balance.

⚠CAUTION

PRODUCT USE AND CARE

- Do not force the product. Products are safer and do a better job when used in the manner for which they are designed. Plan your work and use the correct product for the job.
- Check for damaged parts before each use. Carefully check that the product will operate properly and perform its intended function. Replace damaged or worn parts immediately. Never operate the product with a damaged part.

- Store the product when it is not in use. Store it in a dry, secure place out of the reach of children. Inspect the equipment for good working condition prior to storage and before re-use.
- Keep guards in place and in working order. Never operate the product without the guards in place.
- Do not leave any equipment running unattended..

Specific Operation Warnings

WARNING

- Read this operator's manual carefully in its entirety before attempting to assemble this machine. Read, understand, and follow all instructions on the machine and in the manual(s) before operation. Keep this manual in a safe place for future and regular reference and for ordering replacement parts.
- Be completely familiar with the controls and the proper use of this machine before operating it.
- This machine is a precision piece of power equipment, not a plaything. Therefore, exercise extreme caution at all times. This machine has been designed to perform one job: to cut grass. Do not use it for any other purpose.
- Never allow children under 14 years of age to operate this machine. Children 14 and over should read and understand the instructions and safe operation practices in this manual and on the machine and should be trained and supervised by an adult.
- Only responsible individuals who are familiar with these rules of safe operation should be allowed to use this machine.
- Thoroughly inspect the area where the equipment is to be used. Remove all stones, sticks, wire, bones, toys and other foreign objects, which could be tripped over or picked up and thrown by the mower. Thrown objects can cause serious personal injury.
- To help avoid mower blade contact or a thrown object injury, stay in operator zone behind handles and keep children, bystanders, helpers and pets at least 75 feet from mower while it is in operation. Stop machine if anyone enters area.
- Keep children out of the mowing area and under watchful care of a responsible adult other than the operator.
- Be alert and turn mower off if a child enters the area.
- Before and while moving backwards, look behind and down for small children.
- Use extreme care when approaching blind corners, doorways, shrubs, trees, or other objects that may obscure your vision of a child who may run into the mower.
- Keep children away from hot or running engines. They can suffer burns from a hot muffler.
- Never allow children under 14 years of age to operate this machine. Children 14 and over should read and understand the instructions and safe operation practices in this manual and on the machine and be trained and supervised by an adult.

- Always wear safety glasses or safety goggles during operation and while performing an adjustment or repair to protect your eyes. Thrown objects which ricochet can cause serious injury to the eyes.
- Wear sturdy, rough-soled work shoes and close-fitting slacks and shirts. Shirts and pants that cover the arms and legs and steel-toed shoes are recommended. Never operate this machine in bare feet, sandals, slippery or lightweight (e.g. canvas) shoes.
- Do not put hands or feet near or under rotating parts. Always keep clear of discharge area as the rotating blade can cause injury.
- Never operate the mower without proper shields, guards, control lever or other safety protective devices in place and working.
- Never operate the mower with damaged safety devices. Failure to do so, can result in personal injury.
- Many injuries occur because of the mower being pulled over the foot during a fall caused by slipping or tripping. Do not hold on to the mower if you are falling; release the handle immediately.
- Never pull the mower back toward you while you are walking. If you must back the mower away from a wall or obstruction first look down and behind to avoid tripping and then follow these steps:
 - a. Step back from mower to fully extend your arms.
 - b. Be sure you are well balanced with sure footing.
 - c. Pull the mower back slowly, no more than halfway toward you.
 - d. Repeat these steps as needed.
- Do not operate the mower while under the influence of alcohol or drugs.
- Do not engage the self-propelled mechanism on machines so equipped while starting engine.
- The control lever is a safety device. Never attempt to bypass its operation. Doing so makes the safety device inoperative and may result in personal injury through contact with the rotating blade. The control lever must operate easily in both directions and automatically return to the disengaged position when released.
- Never operate the mower in wet grass.
- Always be sure of your footing. A slip and fall can cause serious personal injury. If you feel you are losing your footing, release the control lever immediately and the blade will stop rotating within three seconds.
- Operate only in daylight or good artificial light. Walk, never run.
- Stop the blade when crossing gravel drives, walks or roads.
- If the equipment should start to vibrate abnormally, stop the engine, and check immediately for the cause. Vibration is generally a warning of trouble.
- Shut the engine off and wait until the blade comes to a complete stop before cleaning the discharge area. The blade continues to rotate for a few seconds after the control lever is released. Never place any part of the body in the blade area until you are sure the blade has stopped rotating.
- Never operate mower without proper trail shield, discharge cover, control lever or other safety protective devices in place and working. Never operate mower with damaged safety devices. Failure to do so can result in personal injury.
- Muffler and engine become hot and can cause a burn. Do not touch.
- Only use parts and accessories made for this machine by the manufacturer. Failure to do so can result in personal injury

- When starting engine, pull cord slowly until resistance is felt, then pull rapidly. Rapid retraction of starter cord (kickback) will pull hand and arm toward engine faster than you can let go. Broken bones, fractures, bruises or sprains could result.
- If situations occur which are not covered in this manual, use care and good judgement. Contact Customer Support for assistance or the name of the nearest service dealer.

Service

Safe Handling of Gasoline:

- To avoid personal injury or property damage use extreme care in handling gasoline. Gasoline is extremely flammable, and the vapors are explosive. Serious personal injury can occur when gasoline is spilled on yourself or your clothes, which can ignite. Wash your skin and change clothes immediately.
- Use only an approved gasoline container.
- Never fill containers inside a vehicle or on a truck or trailer bed with a plastic liner. Always place containers on the ground away from your vehicle before filling.
- Remove gas-powered equipment from the truck or trailer and refuel it on the ground. If this is not possible, then refuel such equipment on a trailer with a portable container, rather than from a gasoline dispenser nozzle.
- Keep the nozzle in contact with the rim of the fuel tank or container opening at all times until fueling is complete. Do not use a nozzle lock-open device.
- Extinguish all cigarettes, cigars, pipes, and other sources of ignition.
- Never fuel machine indoors because flammable vapors will accumulate in the area.
- Never remove gas cap or add fuel while engine is hot or running. Allow engine to cool at least two minutes before refueling.
- Never over fill fuel tank. Fill tank to no more than 1 inch below bottom of filler neck to provide for fuel expansion.
- Replace gasoline cap and tighten securely.
- If gasoline is spilled, wipe it off the engine and equipment. Move machine to another area. Wait 5 minutes before starting engine.
- Never store the machine or fuel container near an open flame, spark, or pilot light as on a water heater, space heater, furnace, clothes dryer or other gas appliances.
- To reduce fire hazard, keep machine free of grass, leaves, or other debris build-up. Clean up oil or fuel spillage and remove any fuel-soaked debris.
- Allow machine to cool at least 5 minutes before storing.

General Service:

- Never run an engine indoors or in a poorly ventilated area. Engine exhaust contains carbon monoxide, an odorless and deadly gas.
- Before cleaning, repairing, or inspecting, make certain the blade and all moving parts have stopped. Disconnect the spark plug wire and ground against the engine to prevent unintended starting.
- Check the blade and engine mounting bolts at frequent intervals for proper tightness. Also, visually inspect blade for damage. Replace with the original equipment manufacturer's (O.E.M.) parts only, listed in this manual. "Use of parts which do not meet the original equipment specifications may lead to improper performance and compromise safety!"
- Keep all nuts, bolts, and screws tight to be sure the equipment is in safe working condition.
- Never tamper with safety devices. Check their proper operation regularly.

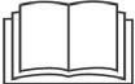








- After striking a foreign object, stop the engine, disconnect the spark plug wire and ground against the engine. Thoroughly inspect the mower for any damage. Repair the damage before starting and operating the mower.
- Mower components, guards and shields are subject to wear and damage which could expose moving parts or allow objects to be thrown. For safety protection, frequently check components and replace immediately with original equipment manufacturers (O.E.M.) parts only, listed in this manual. "Use of parts which do not meet the original equipment specifications may lead to improper performance and compromise safety!"
- Do not change the engine's governor setting or over-speed the engine. The governor controls the maximum safe operating speed of the engine.
- Check fuel line, tank, cap, and fittings frequently for cracks or leaks. Replace if necessary.
- Do not crank engine with spark plug removed.
- Maintain or replace safety and instruction labels, as necessary.
- Observe proper disposal laws and regulations. Improper disposal of fluids and materials can harm the environment.

⚠WARNING

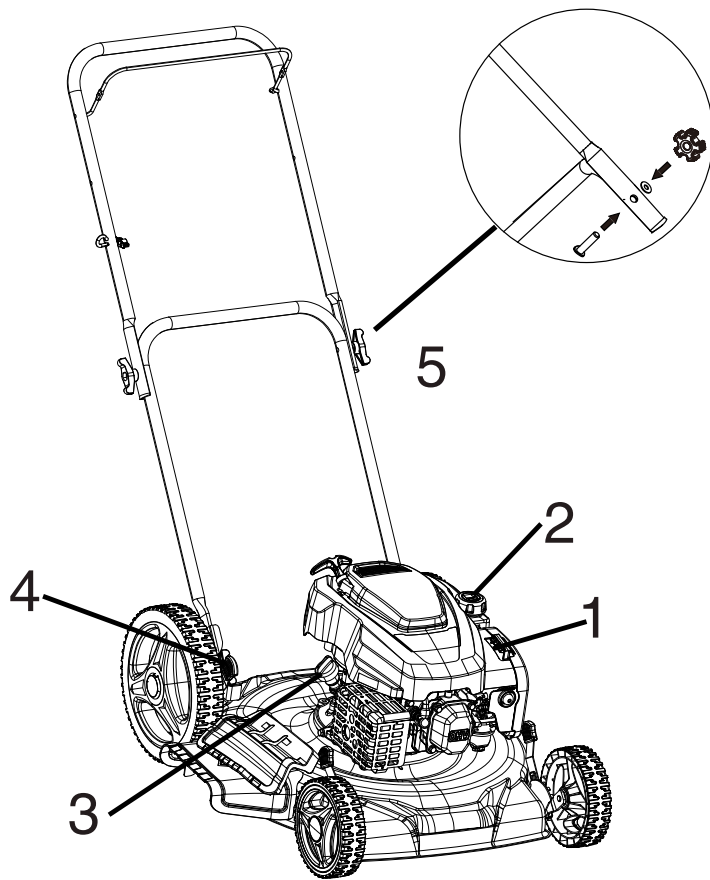
- To avoid serious injury or death, do not modify engine in any way. Tampering with the governor setting can lead to a runaway engine and cause it to operate at unsafe speeds. Never tamper with factory setting of engine governor.
- This machine is equipped with an internal combustion engine and should not be used on or near any unimproved forest-covered, brush covered or grass-covered land unless the engine's exhaust system is equipped with a spark arrestor meeting applicable local or state laws (if any).

Safety Symbols

This page depicts and describes safety symbols that may appear on this product. Read, understand, and follow all instructions on the machine before attempting to assemble and operate.

Symbol	Description
	READ THE OPERATOR'S MANUAL(S) Read, understand, and follow all instructions in the manual(s) before attempting to assemble and operate
	EYE PROTECTION Always wear safety glasses or safety goggles when operating this machine.
	DANGER — BYSTANDERS Do not trim when children or others are around.
	DANGER — HAND/ FOOT CUT Keep hands and feet away from rotating parts.
	DANGER — THROWN DEBRIS Remove objects that can be thrown by the machine in any direction. Wear safety glasses.
	DANGER — SLOPES Use extra caution on slopes. Do not trim on slopes greater than 15°.
	WARNING—GASOLINE IS FLAMMABLE Allow the engine to cool at least two minutes before refueling.
	WARNING— CARBON MONOXIDE Never run an engine indoors or in a poorly ventilated area. Engine exhaust contains carbon monoxide, an odorless and deadly gas.
	WARNING— HOT SURFACE Engine parts, especially the muffler, become extremely hot during operation. Allow engine and muffler to cool before touching.

Main Parts of Product



1. Air Filter
2. Fuel Tank Cap
3. Oil Fill / Dipstick
4. Height Adjustment
5. Handle Loosening Knob

Assembly Instructions

Unfolding the Handle

⚠️ WARNING

Folding or unfolding the handle improperly can damage the cables, causing an unsafe operating condition.

1. Remove the handle knobs from the mower deck. Important: Route the cables to the outside of the handle as you install the handle.

- Handle knob (2)
- Move the handle to the operating position.
- Install and tighten the handle knobs that you removed in step 1. (Figure 1)

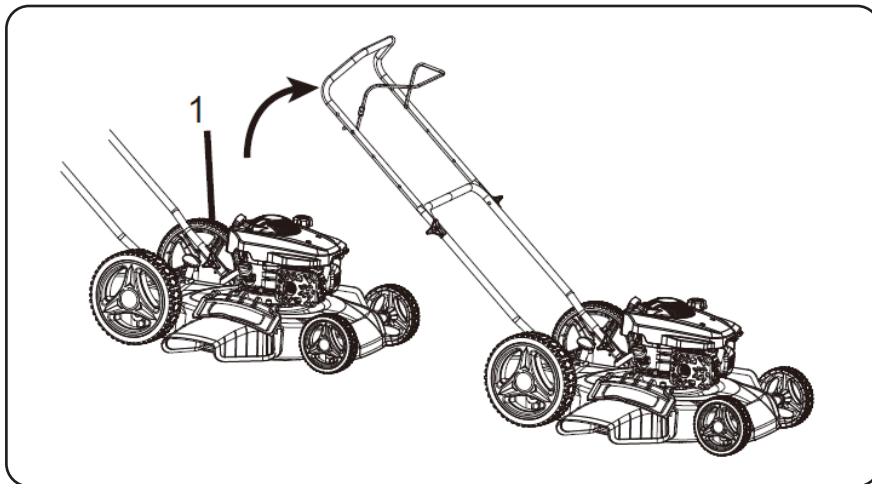


Figure 1

Attaching Wheels (See Figure 2)

1. Parts needed - 2 front wheels (7"), 2 rear wheels (11"), 4 washers and 4 nuts.
2. Install the washer into wheel axle then put on the wheel into wheel axle.
3. Screw lock nut into the end of the thread of the wheel axle until it locks into place.
4. Repeat process on the other side of the lawn mower to install the other three wheels.



Figure 2

Filling the Engine with Oil

Your mower engine does not come filled with oil. Use SAE 10W-30 weight engine oil (not included)

- Remove the dipstick.(Figure 3)
- Slowly pour oil into the dipstick/fill hole until the oil level reaches the full range on the dipstick. Do not overfill. Max 0.45L, type: SAE 10W-30 engine oil with an API service rating of SF or higher.

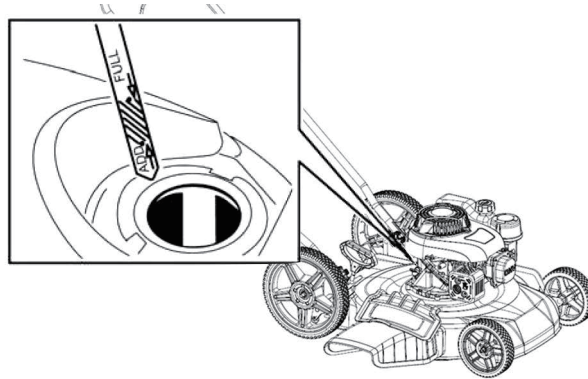


Figure 3

Before Each Use

- Make sure all safety guards are in place and all nuts and bolts are secure.
- Check oil level in engine crankcase. Add oil if necessary.
- Check the fuel supply. Fill the fuel tank no closer than 1 inch from top of tank to provide space for expansion.
- Be sure the spark plug wire is attached and the spark plug is tightened securely.
- Examine underneath and around engine for signs of oil or fuel leaks.
- Inspect fuel hoses for tightness and fuel seepage. Look for signs of engine damage.
- Remove excessive debris from muffler area and recoil starter.

⚠ CAUTION

Please do not start your mower until you have read the manual that came with your mower, and the sections in this manual mower controls and safety. If you have read these, follow the steps below to start your mower. Always perform this pre-start checklist before starting the engine.

Operating Instructions

Filling the Fuel Tank

⚠WARNING

Gasoline is extremely flammable with explosive vapors. A fire or explosion from gasoline can burn you or others.

- To prevent a static charge from igniting the gasoline, place the container and/or mower directly on the ground before filling, not in a vehicle or on an object.
- Fill the tank outdoors when the engine is cold; wipe up spills.
- Do not handle gasoline while smoking or near open flame or sparks.
- Store gasoline in an approved fuel container, out of the reach of children.

Fill the fuel tank with fresh unleaded regular gasoline from a filling station. (Figure 4)

Important: To reduce starting problems, add fuel stabilizer to the fuel, mixing it with gasoline less than 30 days old. (Figure 5)

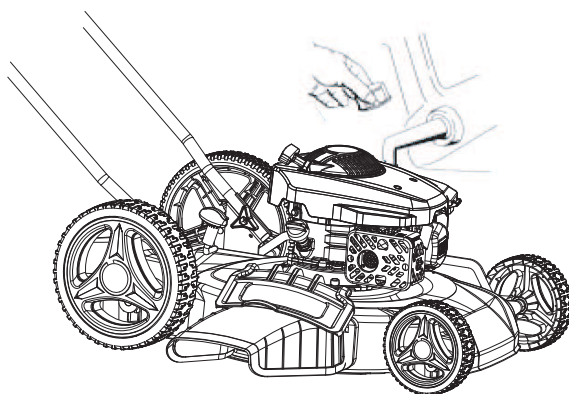


Figure 4

Checking the Engine Oil Level Service Interval

1. Remove dipstick, wipe it clean, and fully re-insert it, check to see if oil is needed by the oil mark that is left the dipstick. (Figure 6)
2. Remove the dipstick and check the oil level (Figure 5) If the oil level is low on the dipstick, slowly pour oil into the oil fill hole to raise the oil level to the full range on the dipstick. Do not overfill. Max 0.45L, type: SAE 10W-30 oil with an API service rating of SF or higher.
3. Install the dipstick and tighten the screw threads.

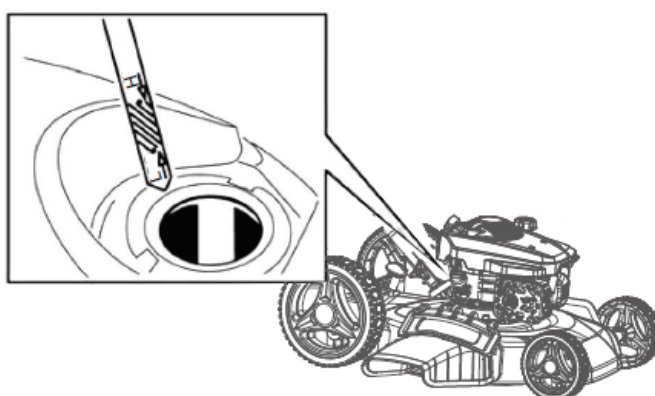


Figure 5

Cutting Height Adjustment

Adjust the cutting height as desired. Set all four wheels to the same height. Note: To lower the mower, move the cutting height levers forward; to raise the mower, move them towards the rear. (Figure 6)

1. Raise the mower
2. Lower the mower

Note: Height adjustment. 1.3"- 3.46"

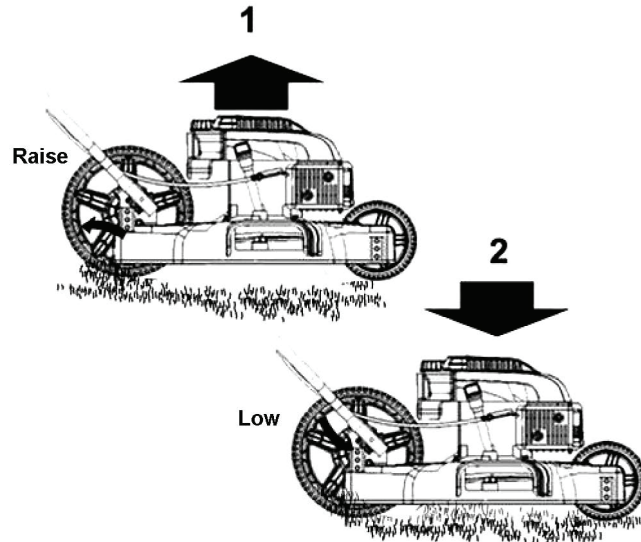


Figure 6

⚠ WARNING

Adjusting the cutting height may bring you into contact with the moving blade, causing serious injury.

- Stop the engine and wait for all the moving parts to stop.
- Do not put your fingers under the housing when adjusting the cutting height.

If the engine has been running, the muffler will be hot and can severely burn you. Keep away from the hot muffler.

Starting the Engine

1. Press the primer three times (Figure 7)

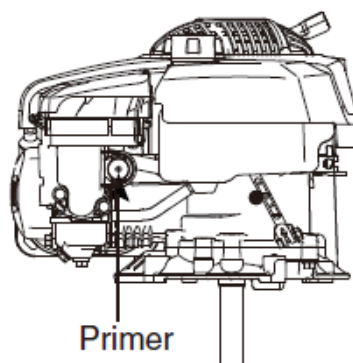


Figure 7

2. Hold the blade control bar (Figure 8) against the handle.

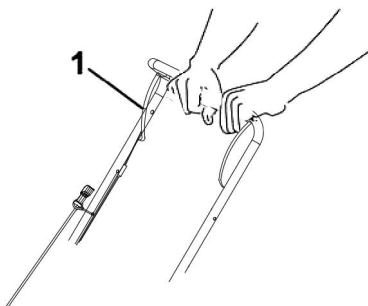


Figure 8

3. Hold blade control bar then pull the pull start to start the mower. (Figure 9)

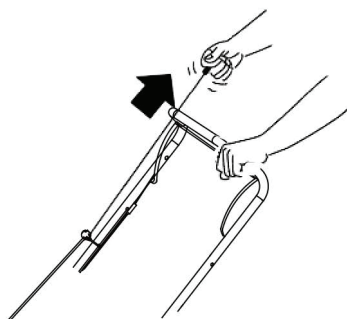


Figure 9

Note: If the mower does not start after several attempts, please contact your authorized service center.

Stopping the Engine

To stop the engine, release the blade control bar (Figure 10)

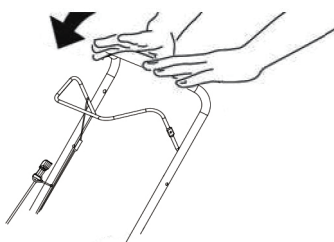


Figure 10

Important: When you release the blade control bar, both the engine and the blade should stop within 3 seconds. If they do not stop properly, stop using your mower immediately and contact an authorized service center.

HIGH ALTITUDE OPERATION

If operating equipment with engines regularly at altitudes over 5,000 feet, the carburetor's air-fuel mixture will be too rich and emissions may increase. On engines not built for the United States the carburetor can be adjusted to operate under this condition. The carburetor should be returned to its normal setting if regular operation is less than 5,000 feet. Contact your service center to modify the carburetor.

After Each Use

Take the following steps to prepare your mower for storage.

1. Clean and lubricate the mower.
2. Store the mower in a dry, clean area. Do not store next to corrosive materials, such as fertilizer.
3. Using a light oil or silicone, coat the equipment, especially cables and all moving parts of your string mower.
4. Clean the engine regularly with a cloth or brush. Keep the top of the engine clean to permit proper air circulation. Remove all grass, dirt and debris from muffler area.
5. Engines stored between 30 and 90 days need to be treated with a gasoline stabilizer such as STA-BIL® to prevent deterioration and gum from forming in fuel system or on essential carburetor parts.
6. Scrape and clean the underside of the machine with a suitable tool. Do not spray with water.

IMPORTANT: Do not use a pressure washer or garden hose to clean the machine. These may cause damage to the engine. The use of water will result in shortened life and reduce serviceability.

Maintenance

General Recommendations

- Always observe safety rules when performing any maintenance.
- The warranty on this mower does not cover items that have been subjected to operator abuse or negligence. To receive full value from warranty, operator must maintain the mower as instructed here.
- Changing of engine-governed speed will void engine warranty.
- All adjustments should be checked at least once each season.
- Periodically check all fasteners and make sure these are tight.

⚠WARNING

Always stop engine, disconnect spark plug, and ground against engine before performing any type of maintenance on your machine.

Engine

A list of key engine maintenance jobs required for good performance by the mower is given below.

Maintain oil level. Always check oil before each use.

- Remove the dipstick and wipe with a clean cloth.
- Insert the dipstick into the filler neck without screwing it in.
- Remove the dipstick and check the oil level. The oil level should be in between the MIN. and MAX. levels.
- If low, add oil slowly into the engine oil fill tube. Do not overfill. After adding oil wait one minute and then re-check the oil level.
- Replace and tighten the dipstick.

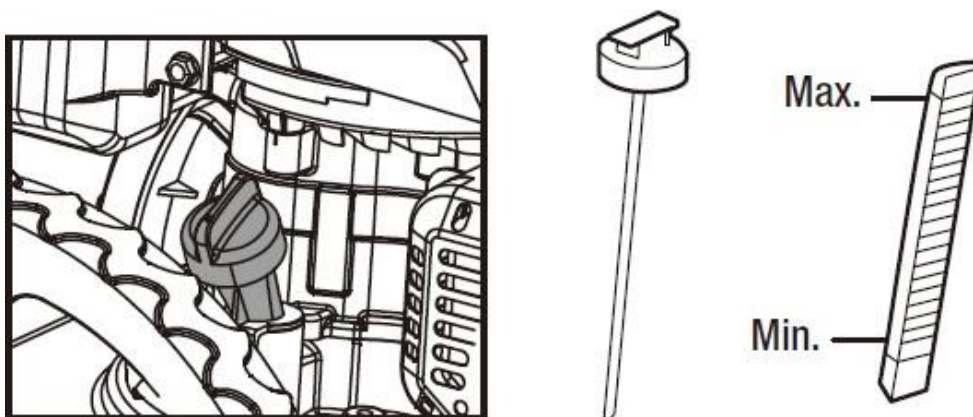


Figure 11

HOW TO REMOVE OIL

⚠CAUTION

CAUTION: Used oil is a hazardous waste product and must be disposed of properly. Do not discard with household waste. Check with your local city or service center for safe disposal/recycling facilities

The oil must be drained from the oil drain plug. See Figure 7-1.

1. Remove the dipstick.
2. Put a container below the oil drain plug.
3. Remove the oil drain plug and allow oil to drain into the container.
4. Install the oil drain plug and tighten with a wrench.

⚠WARNING

When you drain the oil from the oil drain plug, the fuel tank must be empty, or fuel can leak out and result in fire or explosion. To empty the fuel tank, run the engine until it runs out of fuel.

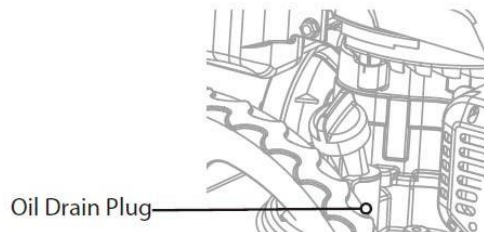


Figure 12

AIR FILTER

Service the air filters every 25 hours under normal conditions. Clean every few hours under extremely dusty conditions. Poor engine performance and flooding usually indicates that the air filter should be serviced.

1. Remove the air cleaner outside cover. Be careful to prevent dirt and debris from falling into the air cleaner assembly.
2. Separate the air filter from the air filter housing.
3. Inspect the air filter. Clean the dirty air filter with warm water and mild soap. Allow air filter to dry thoroughly before re-installing.
4. Install the air filter assembly onto the carburetor and secure with the screw.

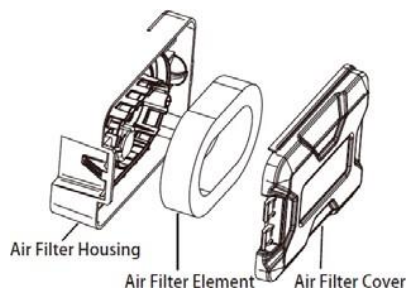
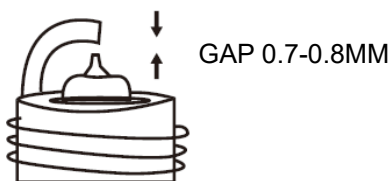


Figure 13

SPARK PLUG

Clean spark plug and reset the gap once a season. Spark plug replacement is recommended at the start of each mowing season.



Check the gap with a wire gauge. If necessary, reset the gap. Install and tighten the spark plug.

⚠WARNING

Never tip the mower more than 90° in any direction and do not leave the mower tipped for any length of time. Oil can drain into the upper part of the engine causing a starting problem.

Maintain the product by adopting a program of conscientious repair and maintenance in accordance with the following recommended procedures. It is recommended that the general condition of any equipment be examined before it is used. Keep your equipment in good repair. Keep all cutting equipment sharp and clean. Properly maintained cutting equipment with sharp cutting edges are less likely to bind and are easier to control. Keep handles dry, clean, and free from oil and grease. Also refer to the engine manufacturer's instruction manual for additional information about engine maintenance. The following chart is based on a normal operation schedule.

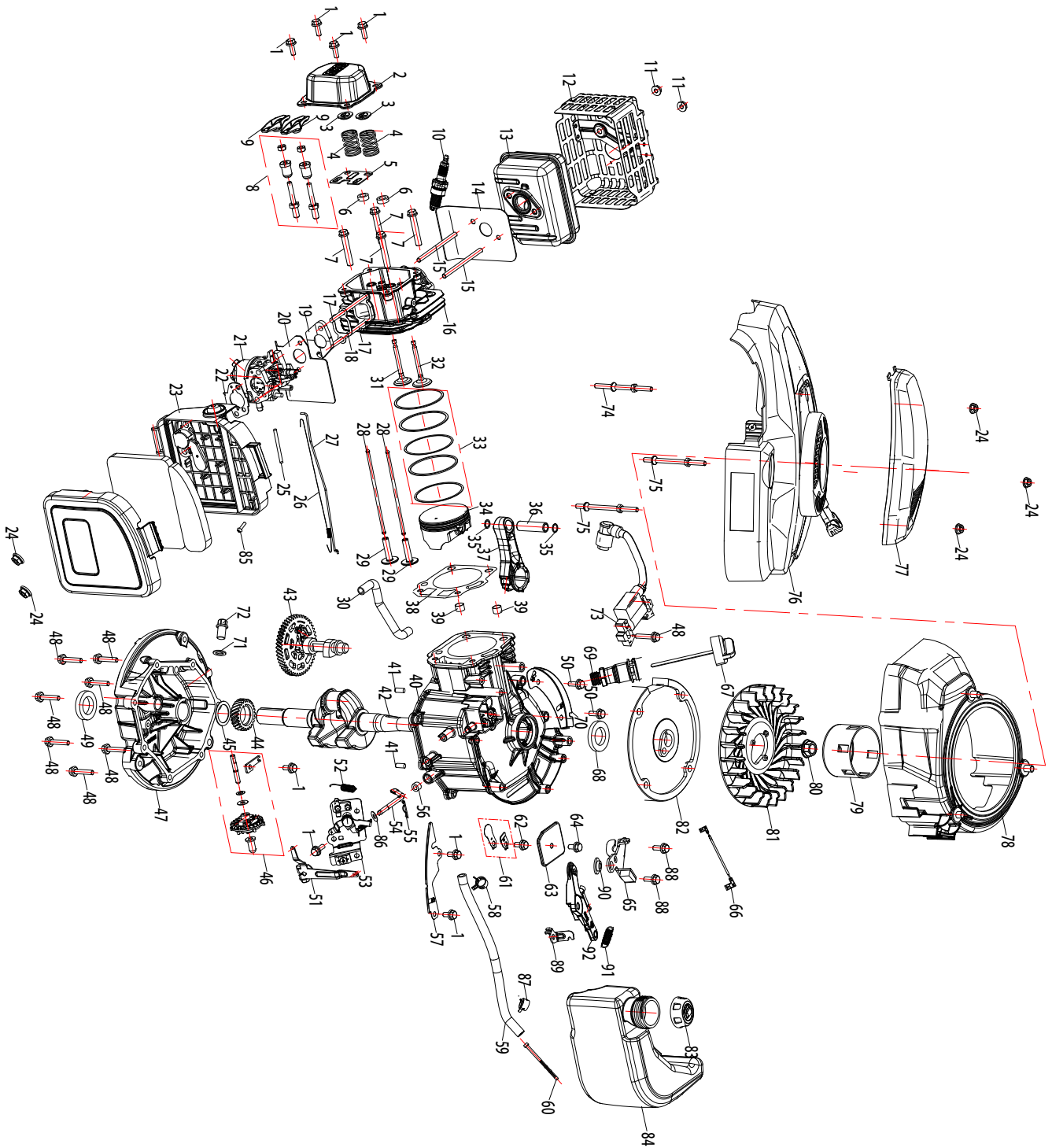
Maintenance Interval	Maintenance Point
Daily before operating	Always check oil before each use
Every 25 hours	Service the air filters every 25 hours under normal conditions. Clean every few hours under extremely dusty conditions.
Every 90 days	Clean sparkplug and reset the gap once a season. Spark plug replacement is recommended at the start of each mowing season.

Troubleshooting

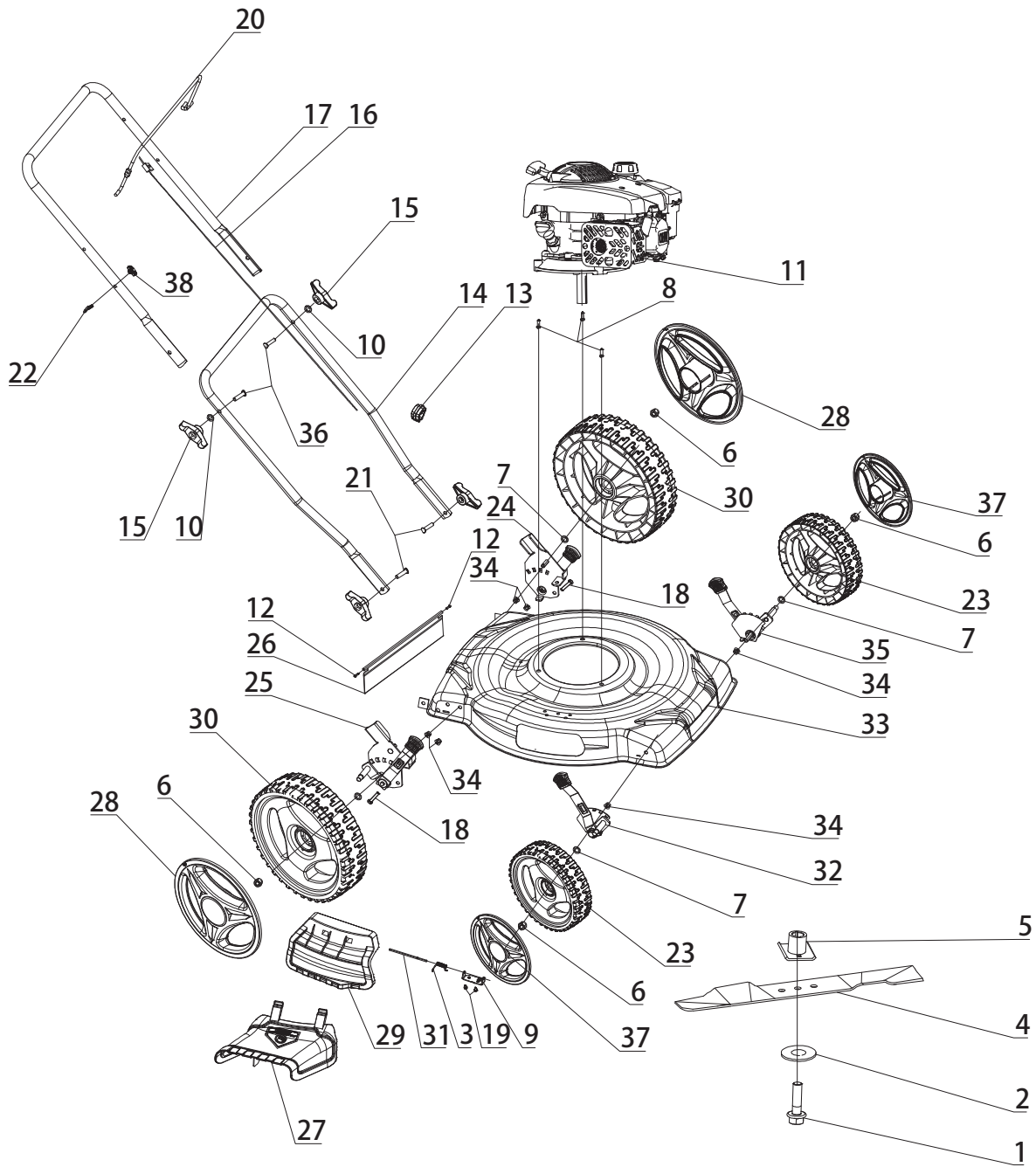
Use the table below to troubleshoot problems before contacting service personnel or your local dealer. If the problem continues after troubleshooting, call your local dealer for assistance.

Failure	Possible Cause	Corrective Action
Engine Fails to start	Control lever disengaged.	Engage control lever.
	Spark plug boot disconnected.	Connect wire to spark boot.
	Fuel tank empty or stale fuel.	Fill tank with clean, fresh gasoline.
	Engine not primed (if equipped with primer).	Prime engine as instructed in the operation section.
	Faulty spark plug.	Clean, adjust gap, or replace.
	Blocked fuel line.	Clean fuel line.
	Engine flooded.	Wait a few minutes to restart, but do not prime.
	Fuel valve (if equipped) closed.	Open fuel valve. See engine manual.
	Engine not choked (if equipped with choke).	Choke engine. See engine manual.
Engine runs erratic	Spark plug boot loose.	Connect and tighten spark plug boot.
	Blocked fuel line or stale fuel.	Clean fuel line; fill tank with clean, fresh gasoline.
	Vent in gas cap plugged.	Clear vent.
	Water or dirt in fuel system.	Drain fuel tank. Refill with fresh fuel.
	Dirty air cleaner.	Refer to engine manual.
	Unit running with CHOKE (if equipped) applied.	Push CHOKE knob in.
Engine overheats	Engine oil level low.	Fill crankcase with proper oil.
	Air flow restricted.	Clean area around and on top of engine.
Occasional skips (hesitates) at high speed	Spark plug gap too close.	Adjust gap to .030".
Idles poorly	Spark plug fouled, faulty, or gap too wide.	Reset gap to .030" or replace spark plug.
	Dirty air cleaner.	Refer to engine manual.

Engine Parts Explosion



Unit Parts Explosion



Replacement Parts

- For replacement parts and technical questions, please call Customer Service at **1-800-222-5381**.
- Not all product components are available for replacement. The illustrations provided are a convenient reference to the location and position of parts in the assembly sequence.
- When ordering parts, the following information will be required: item description, item model number, item serial number/item lot date code, and the replacement part reference number.
- The distributor reserves the rights to make design changes and improvements to product lines and manuals without notice.

Limited Warranty

Northern Tool and Equipment Company, Inc. ("We" or "Us") warrants to the original purchaser only ("You" or "Your") that the Powerhorse product purchased will be free from material defects in both materials and workmanship, normal wear and tear excepted, for a period of two year from date of purchase. The foregoing warranty is valid only if the installation and use of the product is strictly in accordance with product instructions. There are no other warranties, express or implied, including the warranty of merchantability or fitness for a particular purpose. If the product does not comply with this limited warranty, your sole and exclusive remedy is that We will, at our sole option and within a commercially reasonable time, either replace the product or product component without charge to You or refund the purchase price (less shipping). This limited warranty is not transferable.

Limitations on the Warranty

This limited warranty does not cover: (a) normal wear and tear; (b) damage through abuse, neglect, misuse, or as a result of any accident or in any other manner; (c) damage from misapplication, overloading, or improper installation; (d) improper maintenance and repair; and (e) product alteration in any manner by anyone other than Us, with the sole exception of alterations made pursuant to product instructions and in a workmanlike manner.

Obligations of Purchaser

You must retain Your product purchase receipt to verify date of purchase and that You are the original purchaser. To make a warranty claim, contact Us at 1-800-222-5381, identify the product by make and model number, and follow the claim instructions that will be provided. The product and the purchase receipt must be provided to Us in order to process Your warranty claim. Any returned product that is replaced or refunded by Us becomes our property. You will be responsible for return shipping costs or costs related to Your return visit to a retail store.

Remedy Limits

Product replacement or a refund of the purchase price is Your sole remedy under this limited warranty or any other warranty related to the product. We shall not be liable for: service or labor charges or damage to Your property incurred in removing or replacing the product; any damages, including, without limitation, damages to tangible personal property or personal injury, related to Your improper use, installation, or maintenance of the product or product component; or any indirect, incidental or consequential damages of any kind for any reason.

Assumption of Risk

You acknowledge and agree that any use of the product for any purpose other than the specified use(s) stated in the product instructions is at Your own risk.

Governing Law

This limited warranty gives You specific legal rights, and You also may have other rights which vary from state to state. Some states do not allow limitations or exclusions on implied warranties or incidental or consequential damages, so the above limitations may not apply to You. This limited warranty is governed by the laws of the State of Minnesota, without regard to rules pertaining to conflicts of law. The state courts located in Dakota County; Minnesota shall have exclusive jurisdiction for any disputes relating to this warranty.

POWER HORSE™

Distributed by:

Northern Tool & Equipment Company, Inc.

Burnsville, Minnesota 55306

www.northerntool.com

Made in Vietnam