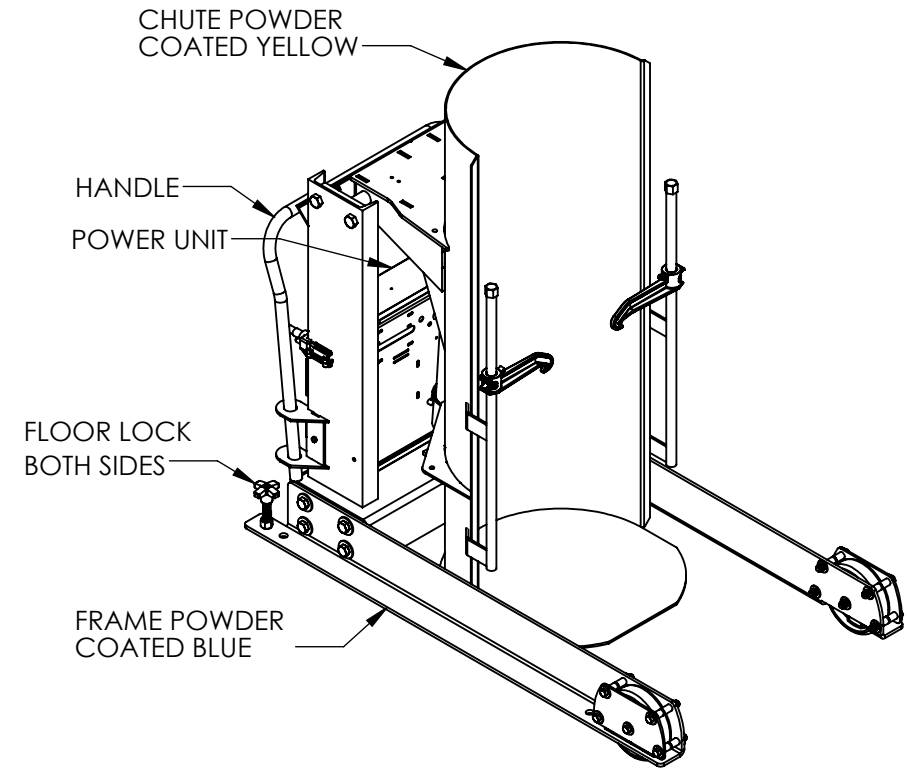
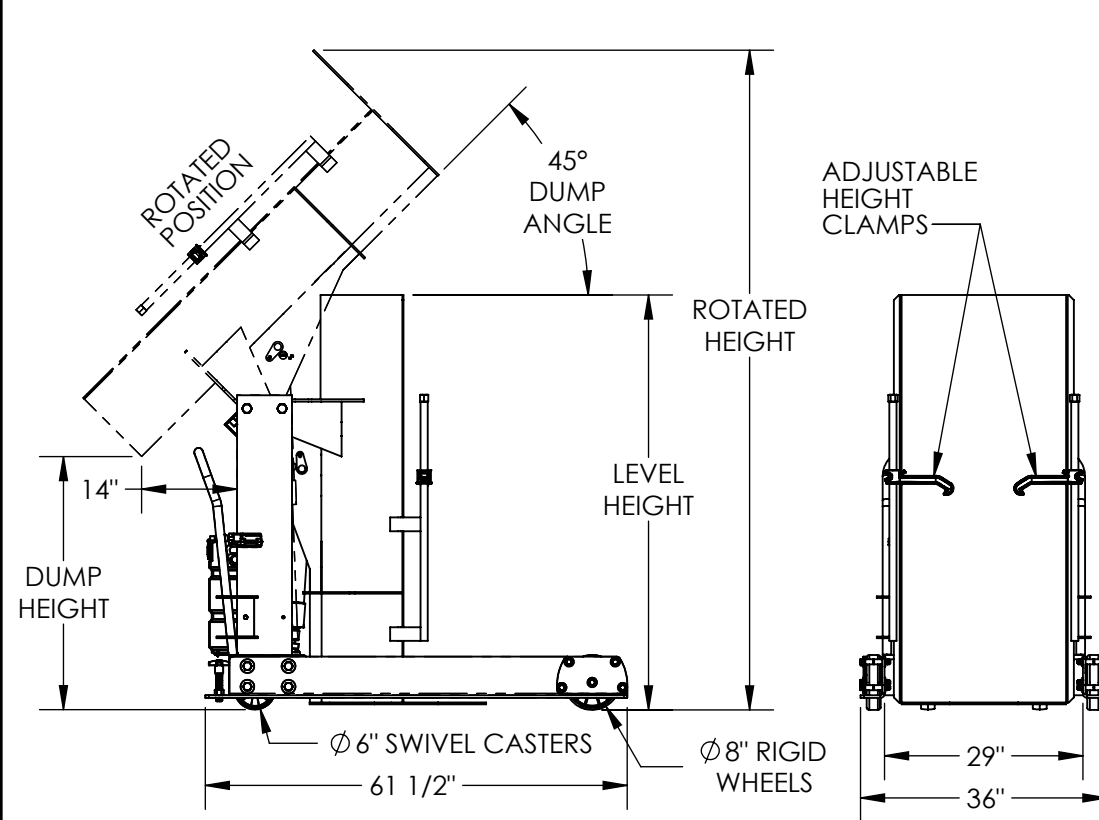


# PORTABLE HYDRAULIC DRUM DUMPER - HDD-36-10-P-DC

APPROX WEIGHT: 698.87 lbs.  
 DOES NOT INCLUDE WEIGHT OF POWER OR PACKAGING!!!

\*\*\* ANY ADDITIONS, DELETIONS, OR OMISSIONS MUST BE CORRECTED ON THIS DRAWING AS THIS DRAWING WILL BE CONSIDERED ALL INCLUSIVE \*\*\*

ALL GRAPHICS PROVIDED ARE FOR REFERENCE ONLY. IF CERTAIN DIMENSIONS ARE CRITICAL PLEASE VERIFY THOSE DIMENSIONS WITH YOUR SALESPERSON



DIMENSION TOLERANCE ± 1/4"

**STANDARD FEATURES**  
 MODEL NUMBER IS HDD-36-10-P-DC  
 DUMP HEIGHT IS 36"  
 MAX CAPACITY IS 1,000 LBS  
 OVERALL WIDTH IS 36"  
 OVERALL LENGTH IS 61 1/2"  
 LEVEL HEIGHT IS 63 3/4"  
 ROTATED HEIGHT IS 96"  
 DUMP ANGLE IS 45°  
 ACCEPTS DRUM SIZE: Ø16 1/2" TO Ø23 1/2" (ROUND) X 27 1/2" TO 39 1/2" TALL  
 ALL STEEL CONSTRUCTION  
 DURABLE BAKED IN POWDER COATED FINISH (BASE BLUE & CHUTE YELLOW)  
 2-FUNCTION HANDHELD CONTROL WITH 18"-90" COIL CORD  
 WARNING: CHECK STATE AND LOCAL CODES!!!

**12 VOLT DC POWER**  
 ON-BOARD BATTERY INDICATOR & CHARGER  
 CONTACT FACTORY FOR  
 OTHER POWER OPTIONS

**SPECIAL FEATURES**  
 NONE

**APPROVAL**

I, THE UNDERSIGNED, AGREE THAT THE PRODUCT AS REPRESENTED SATISFIES DESIGN AND DIMENSION REQUIREMENTS. I ALSO ACKNOWLEDGE MY DUTY TO CONFIRM PRODUCT AND INSTALLATION COMPLIANCE WITH ALL APPLICABLE FEDERAL, STATE AND LOCAL REGULATIONS AND STANDARDS.

**UNITS REQUIRING APPROVAL DRAWINGS OR MODIFIED ARE NON-RETURNABLE**

[ ] As drawn [ ] As marked

Signed: \_\_\_\_\_ Date: \_\_\_\_\_

Printed Name: \_\_\_\_\_

LEAD TIME WILL START UPON RECEIPT OF SIGNED APPROVAL DRAWING

DISTRIBUTOR'S NAME:		P.O.#
VESTIL MANUFACTURING		X
DRAWN BY: CRM		DATE: 01/13/2017
REFERENCE: X		SALES: X
QUOTED LEAD TIME: X		SCALE: 1:28
QUOTE # X		FILE NAME: 09-007-126-101