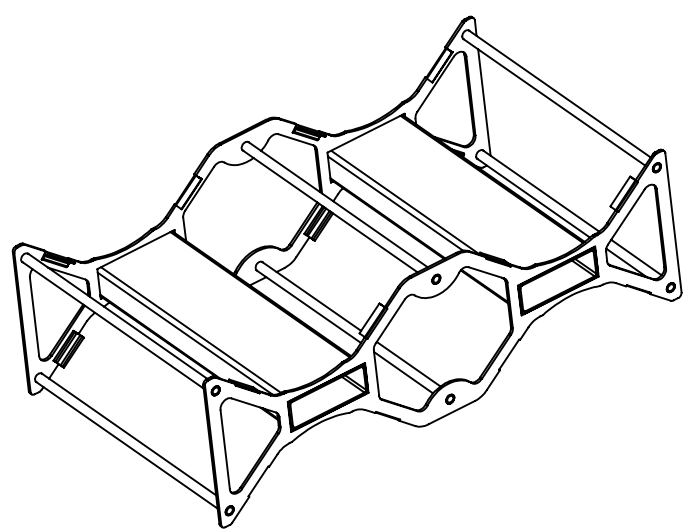
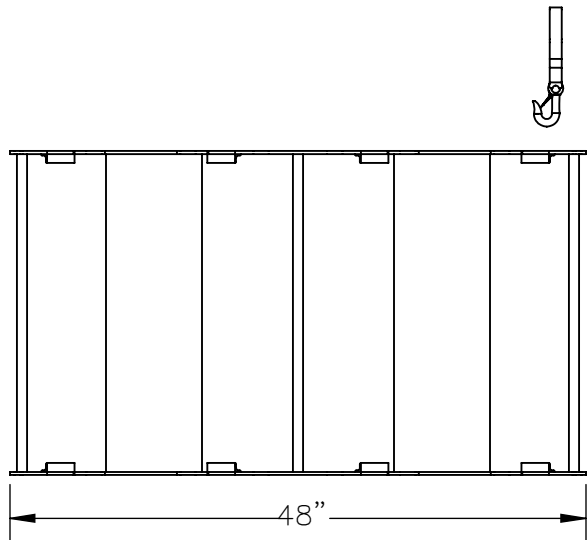


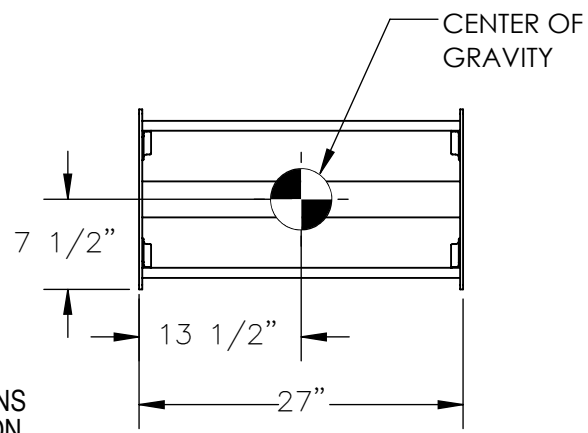
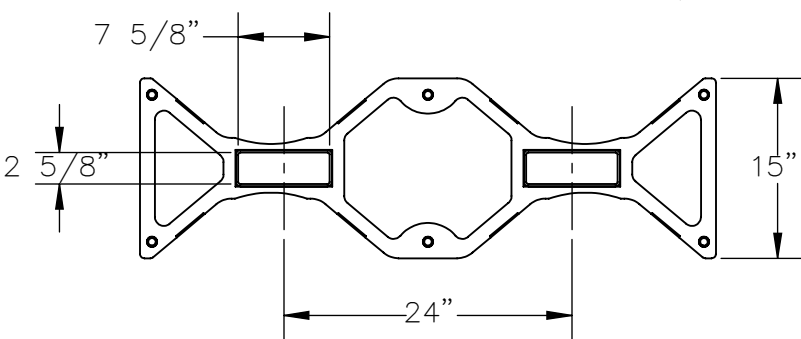
DRUM RACK W/FORK POCKETS - DRMR-3055-FP

APPROX WEIGHT: 98.80 lbs.
DOES NOT INCLUDE WEIGHT OF POWER OR PACKAGING!!!

ANY ADDITIONS, DELETIONS, OR OMISSIONS MUST BE CORRECTED ON THIS DRAWING AS THIS DRAWING WILL BE CONSIDERED ALL INCLUSIVE



STRAP INCLUDED FOR SECURING DRUMS



ALL GRAPHICS PROVIDED ARE FOR REFERENCE ONLY. IF CERTAIN DIMENSIONS ARE CRITICAL PLEASE VERIFY THOSE DIMENSIONS WITH YOUR SALESPERSON

STANDARD FEATURES

- MODEL NUMBER IS DRMR-3055-FP
- OVERALL WIDTH IS 48"
- OVERALL LENGTH IS 27"
- OVERALL HEIGHT IS 15"
- MAX CAPACITY IS 2,400 LBS EVENLY LOADED
- HOLDS 30 OR 55 GALLON DRUMS SECURELY
- 7 5/8" X 2 5/8" FORK POCKETS ON 24" CENTER
- WELDED STEEL CONSTRUCTION
- DURABLE BAKED IN POWDER COATED YELLOW FINISH

SPECIAL FEATURES

NONE

APPROX. WEIGHT / LOST LOAD = 98.72 LBS
 MINIMUM EFFECTIVE THICKNESS = 2 5/8"
 VERTICAL CENTER OF GRAVITY = 7 1/2"
 HORIZONTAL CENTER OF GRAVITY = 13 1/2"
 NEVER EXCEED LOAD CENTER RATING PER FORKTRUCK MANUFACTURER'S GUIDELINES. DO NOT USE THIS FORK TRUCK ATTACHMENT IF LOAD WILL EXCEED FORK TRUCK MANUFACTURER'S LOAD CENTER RATING.

APPROVAL	I, THE UNDERSIGNED, AGREE THAT THE PRODUCT AS REPRESENTED SATISFIES DESIGN AND DIMENSION REQUIREMENTS. I ALSO ACKNOWLEDGE MY DUTY TO CONFIRM PRODUCT AND INSTALLATION COMPLIANCE WITH ALL APPLICABLE FEDERAL, STATE AND LOCAL REGULATIONS AND STANDARDS.	
	UNITS REQUIRING APPROVAL DRAWINGS OR MODIFIED ARE NON-RETURNABLE	
	[] As drawn [] As marked	
Signed: _____		Date: _____
Printed Name: _____		
<i>LEAD TIME WILL START UPON RECEIPT OF SIGNED APPROVAL DRAWING</i>		

DISTRIBUTOR'S NAME: VESTIL MANUFACTURING		P.O.# X
DRAWN BY: P. KLEE		DATE: 06/13/2024
REFERENCE: X		SCALE: 1:16
QUOTED LEAD TIME: X	QUOTE # X	FILE NAME: 09-007-234