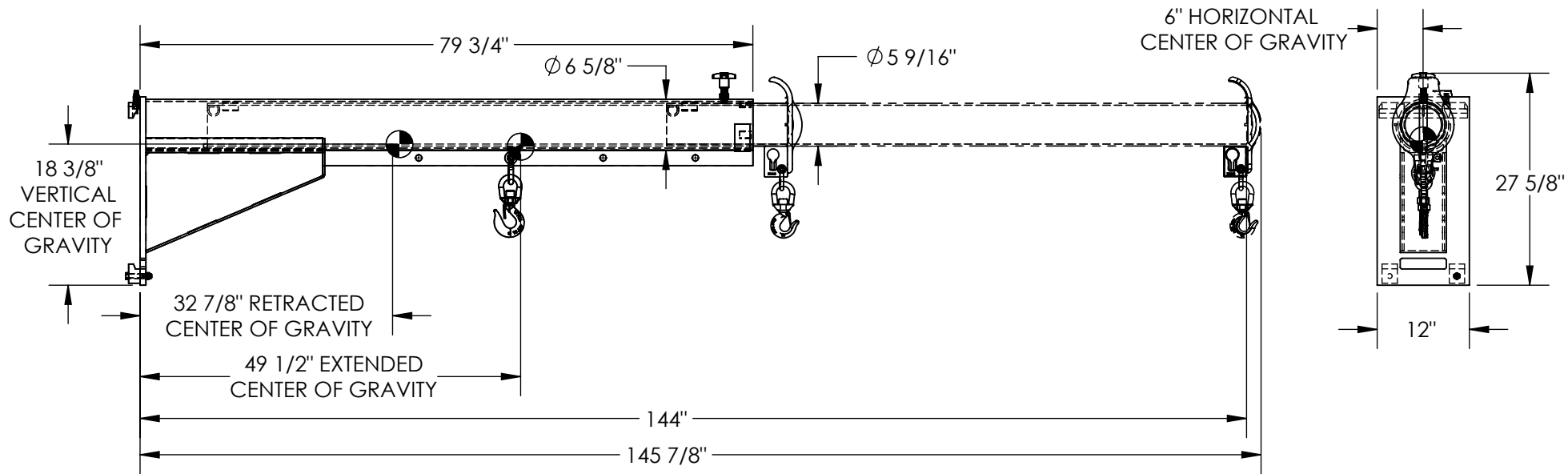


BOOM CARRIAGE MOUNT - LM-CM3-EBT-6

APPROX WEIGHT: 384.01 lbs.
DOES NOT INCLUDE WEIGHT OF POWER OR PACKAGING!!!

*** ANY ADDITIONS, DELETIONS, OR OMISSIONS MUST BE CORRECTED ON THIS DRAWING AS THIS DRAWING WILL BE CONSIDERED ALL INCLUSIVE ***

ALL GRAPHICS PROVIDED ARE FOR REFERENCE ONLY. IF CERTAIN DIMENSIONS ARE CRITICAL PLEASE VERIFY THOSE DIMENSIONS WITH YOUR SALESPERSON



MAXIMUM SINGLE HOOK CAPACITIES

DISTANCE	36"	48"	60"	72"	84"	96"	108"	120"	132"	144"
CAPACITY	6000	5000	4500	4000	3500	3000	2600	2300	2000	1800

DIMENSION TOLERANCE ± 1/4"

STANDARD FEATURES

MODEL NUMBER IS LM-CM3-EBT-6
OVERALL WIDTH IS 12"
OVERALL LENGTH IS 145 7/8"
USABLE LENGTH IS 144"
OVERALL HEIGHT IS 27 5/8"
MAX CAPACITY IS 6,000 LBS
TOUGH BAKED IN POWDER COATED
BLUE BASE FRAME W/ YELLOW EXTENSION

SPECIAL FEATURES

NONE
APPROX. WEIGHT / LOST LOAD = 384.01
MINIMUM EFFECTIVE THICKNESS = <1"
VERTICAL CENTER OF GRAVITY = 18 3/8"
HORIZONTAL CENTER OF GRAVITY = 6"

NEVER EXCEED LOAD CENTER RATING PER FORKTRUCK MANUFACTURERS GUIDELINES.
DO NOT USE THIS FORK TRUCK ATTACHMENT IF LOAD WILL EXCEED FORK TRUCK MANUFACTURER'S LOAD CENTER RATING

APPROVAL

I, THE UNDERSIGNED, AGREE THAT THE PRODUCT AS REPRESENTED SATISFIES DESIGN AND DIMENSION REQUIREMENTS. I ALSO ACKNOWLEDGE MY DUTY TO CONFIRM PRODUCT AND INSTALLATION COMPLIANCE WITH ALL APPLICABLE FEDERAL, STATE AND LOCAL REGULATIONS AND STANDARDS.
UNITS REQUIRING APPROVAL DRAWINGS OR MODIFIED ARE NON-RETURNABLE

As drawn As marked

Signed: _____ Date: _____

Printed Name: _____

LEAD TIME WILL START UPON RECEIPT OF SIGNED APPROVAL DRAWING

DISTRIBUTOR'S NAME:		P.O.#
VESTIL MANUFACTURING		X
DRAWN BY: C.CLEMENS		DATE: 9/29/2020
REFERENCE: X		SCALE: 1:48
QUOTED LEAD TIME: X	QUOTE # X	FILE NAME: 08-007-465