



# 20' x 20' Celebration Canopy



## Assembly Instructions

**Before you start:** 2+ individuals recommended for assembly, approximate time 2 hours.  
**Recommended tools:** Step Ladder

ShelterLogic, LLC  
150 Callender Road  
Watertown, CT 06795

[www.shelterlogic.com](http://www.shelterlogic.com)

**1-800-524-9970**

Canada:  
**1-800-559-6175**

**Model #25797**

05-25797-0C

## **ATTENTION:**

This Shade/Canopy product is made with the highest quality material available and is designed to fit the **ShelterLogic™** custom fabric cover included. **ShelterLogic™** Canopies offer protection from sun, light rain, tree sap, animal - bird excrement and light snow. Please anchor this shelter properly. See manual for more anchoring details. Proper anchoring, keeping cover tight and free of snow, pooling water and debris is the responsibility of the consumer. Please read and understand the installation detail, warnings and cautions prior to final installation. If you have any questions call the customer service number listed on the cover of the manual. Please refer to the warranty included with your purchase.

## **DANGER:**

Choose the location of your Canopy carefully. **DANGER: Keep away from electrical wires.** Check for overhead utility lines, tree branches or other structures. DO NOT install near roof lines or other structures that could shed snow, ice or excessive run off onto your Canopy. DO NOT hang objects from the roof or support cables.



## **WARNING:**



Risk of fire. DO NOT smoke or use open flame devices (including grills, fire pits, deep fryers, smokers or lanterns) in or around the canopy. DO NOT store flammable liquids (gasoline, kerosene, propane, etc.) in or around your Canopy. Do not expose top or sides of the Canopy to open fire or other flame source.

## **CAUTION: PROPER ANCHORING AND INSTALLATION OF FRAME:**

### **NOTE: PROPER ANCHORING OF THE FRAME IS THE RESPONSIBILITY OF THE CONSUMER.**

**ShelterLogic®** is not responsible for damage to the Canopy or the contents stored underneath. Any Canopy that is not anchored securely has the potential to fly away causing damage, and is not covered under the warranty. **ShelterLogic®** cannot be responsible for any Canopy that blows away. **NOTE: Your Canopy's frame and cover can be quickly collapsed and stored prior to severe weather conditions.** If strong winds or severe weather is forecast in your area, we recommend collapsing the frame and removing the cover and storing the unit. Check with your insurance carrier for any damage as you would for any other outdoor structure or personal property claims.

## **REPLACEMENT PARTS, ASSEMBLY, SPECIAL ORDERS:**

Genuine **ShelterLogic®** replacement parts and accessories are available from the factory, including anchoring kits for nearly any application, replacement covers, wall and enclosure kits, vent and light kits, frame tubes, zipper doors, pipes and other accessories. All items are shipped factory direct to your door.

### **QUESTIONS - CLAIMS - SPECIAL ORDERS? CALL OUR CUSTOMER SERVICE HOTLINE:**

**U.S. CUSTOMER SERVICE: 1-800-524-9970 INTERNATIONAL CUSTOMER SERVICE: 001-860-945-6442 CANADA CUSTOMER SERVICE: 1-800-559-6175**  
**HOURS OF OPERATION: MON-FRI 8:30AM-8:00PM EST, SAT-SUN 8:30AM-5:00PM EST.**

## **CARE AND CLEANING:**

A tight cover will ensure longer life and performance. Always maintain a tight cover. Loose fabric can accelerate deterioration of cover. Immediately remove any accumulated rain water, snow or ice from the roof structure with a broom, mop or other soft-sided instrument. Use extreme caution when removing snow from cover- always remove from outside the structure. DO NOT use bleach or harsh abrasive products to clean the fabric cover. Cover can be easily cleaned with mild soap and water. DO NOT use hard-edged tools or instruments like rakes or shovels to remove snow. This could result in punctures to the cover.

## **WARRANTY:**

This Canopy carries a full limited warranty against defects in workmanship. **ShelterLogic, LLC** warrants to the Original Purchaser that if properly used and installed, the product and all associated parts, are free from manufacturer's defects for a period of:

### **1 YEAR FOR COVER FABRIC, END PANELS AND FRAMEWORK**

Warranty period is determined by date of shipment from **ShelterLogic, LLC** for factory direct purchases or date of purchase from an authorized reseller, (please save a copy of your purchase receipt). If this product or any associated parts are found to be defective or missing at the time of receipt, **ShelterLogic®** will repair or replace, at it's option, the defective parts at no charge to the original purchaser. Replacement parts or repaired parts shall be covered for the remainder of the Original Limited Warranty Period. All shipping costs will be the responsibility of the customer. Parts and replacements will be sent C.O.D. You must save the original packaging materials for shipment back. If you purchased from a local dealer, all claims must have a copy of original receipt. Check with your insurance carrier for any damage as you would for any other outdoor structure or personal property claim. After purchase, please fill out and return warranty card for product registration. Please see warranty card for more details.





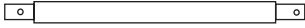




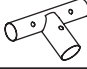
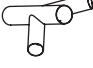


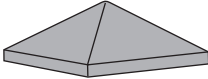
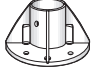
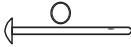


**DO NOT RETURN PRODUCT TO THE STORE**  
**Missing Parts, Replacement or Assembly Assistance, CALL Customer Service**

Covered by one or more of the following U.S. Patents and patents pending:  
6,871,614; 6,994,099; 7,296,584; D 430,306; D 415,571; D 414,564; D 409,310; D 415,572



## 20' x 20' Celebration Canopy Assembly Instructions

**Model #25797**

Description of Parts:		Quantity	Part #
	28.8" Rafter Tubes	4	14007
	56" Rafter Tubes	12	14008
	56" Rafter Tubes	4	14009
	36.6" Top Cross Rails	8	14010
	59.4" Cross Rails	16	14011
	59.4" Cross Rails	16	14004
	42.4" Upright Tubes	8	14012
	42.4" Upright Tubes	8	10392
	4-Way Top Connectors	1	14001
	3-Way Top Connectors	4	14002
	4-Way Top Connectors	4	14003
	6-Way Corner Connectors	4	14005
	6-Way Middle Connectors	4	14006
	Cover	1	14013
	Base Feet	8	10050
	Pins with Rings	8	10052
	Anchors	16	10431
	Rubber Hammer	1	14017

**Please read instructions COMPLETELY before assembly. This Canopy MUST be anchored.**

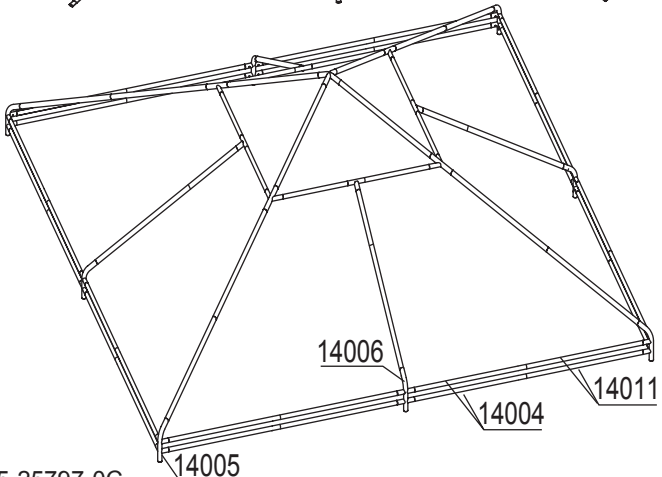
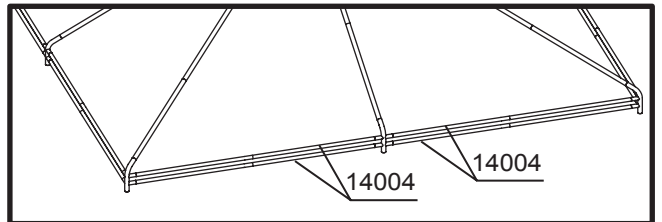
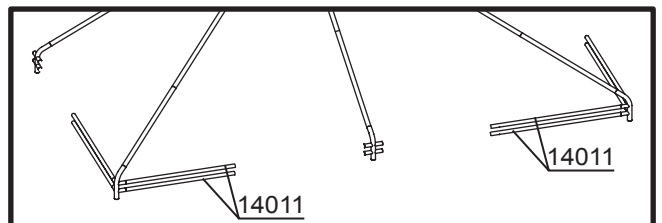
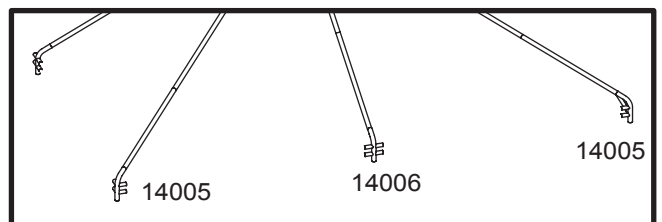
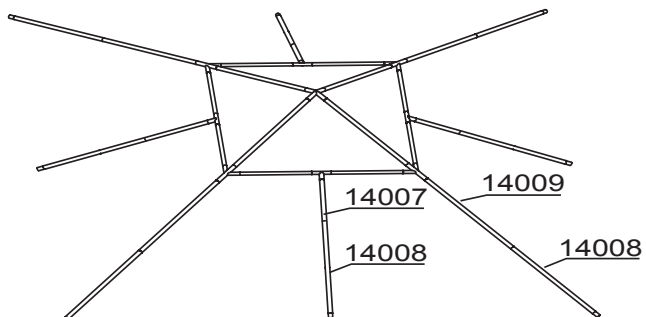
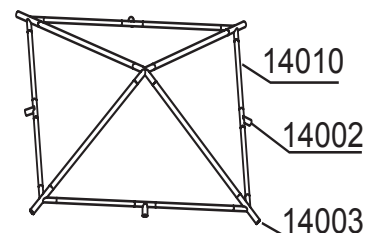
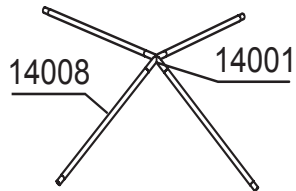
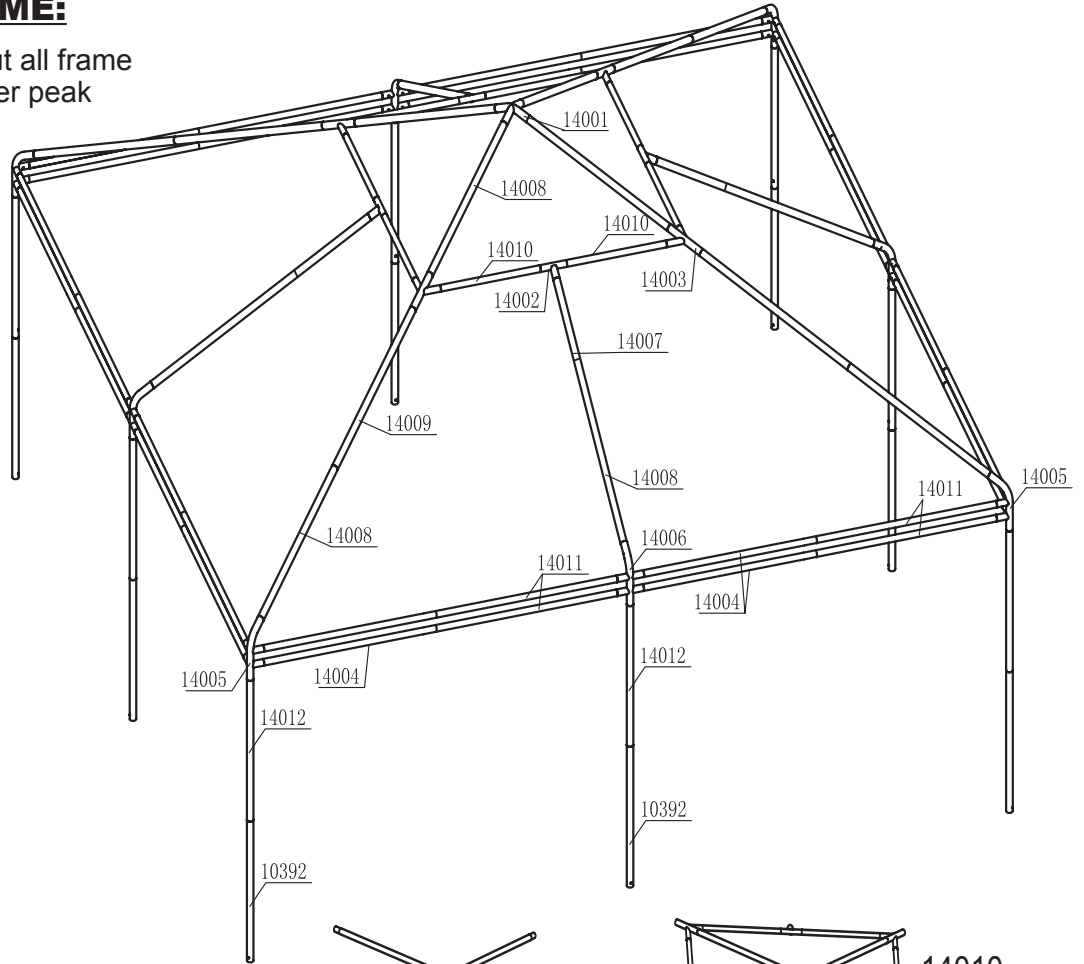
# ASSEMBLY OF CANOPY

## 1. LAYOUT ROOF FRAME:

Assembly is easiest if you layout all frame parts as shown. Assemble center peak roof, then assemble each side.

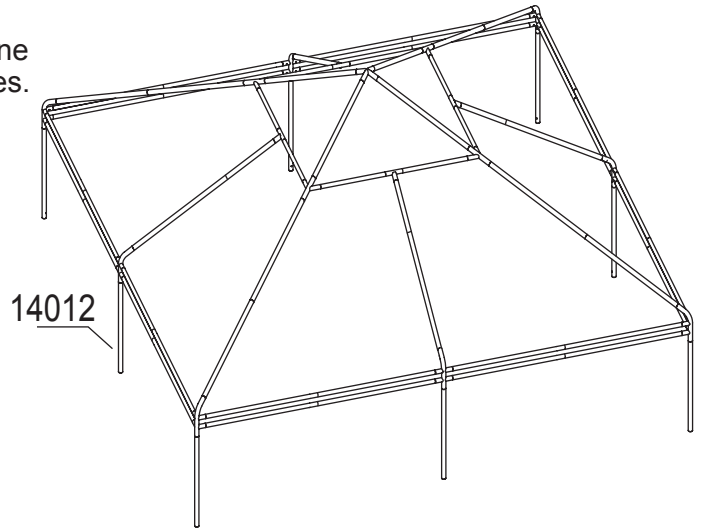
**NOTE:** Use Rubber Hammer to insert last corner of top roof frame assembly.

Quantity of Parts	Mfg. Part #
4	14007
12	14008
4	14009
8	14010
16	14011
16	14004
8	14012
8	10392
1	14001
4	14002
4	14003
4	14005
4	14006
1	14013
8	10052
8	10050
16	10431
1	14017



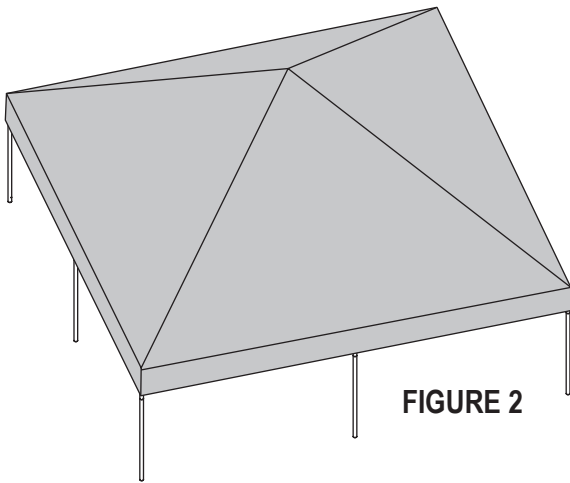
## **2. ATTACH LEGS TO FRAME:**

- A. Install the upper leg tubes (14012). Put all 3 tubes in one side then assemble other side. Finally insert 2 center tubes.
- B. Ensure all round pins are popped out. See Figure 1.

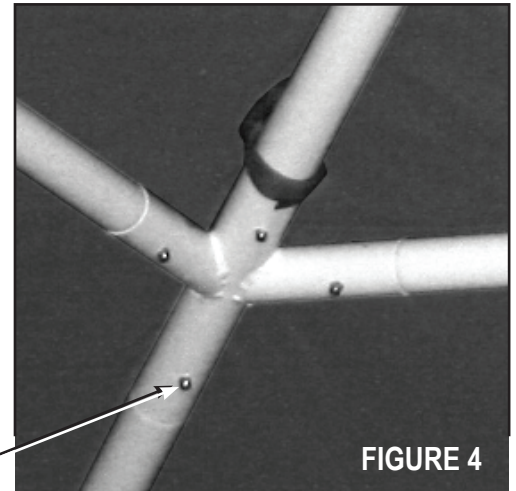


## **3. SECURE THE COVER:**

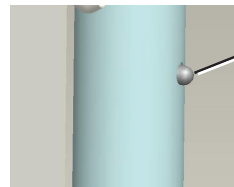
- A. Drape cover over frame. See Figure 2.
- B. Insert clips into holes in poles at 4 corners shown in photo. See Figure 3.
- C. Attach hook and eye closures at each rafter rib. See Figure 4.
- D. At center of each side, insert webbing into clip and tighten. See Figure 5.



**FIGURE 2**



**FIGURE 4**



**FIGURE 1**



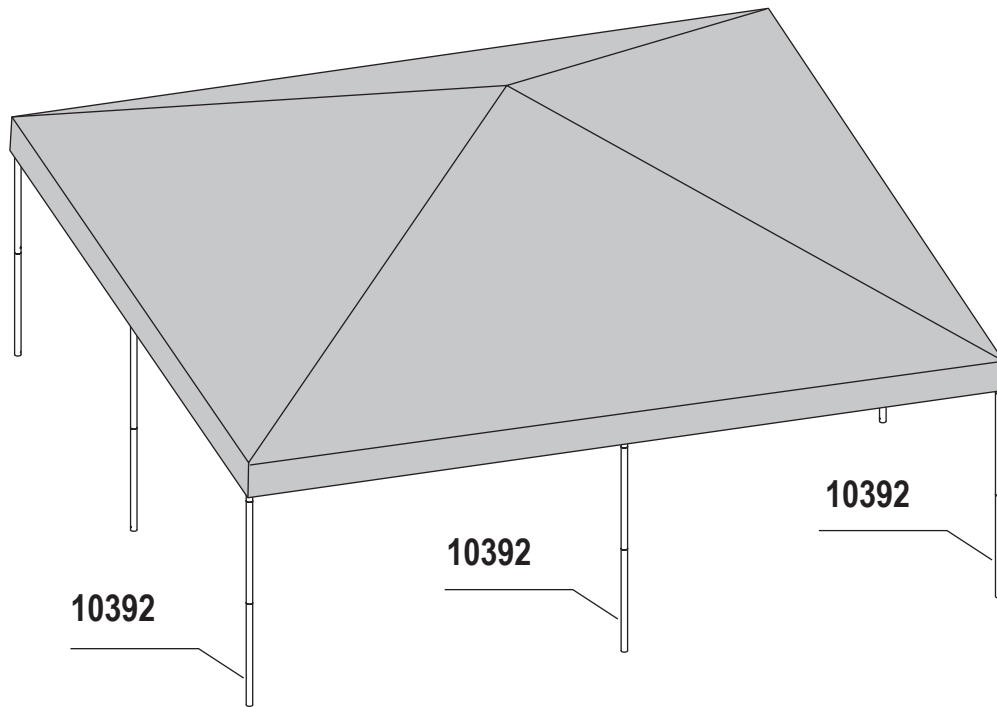
**FIGURE 3**



**FIGURE 5**

#### **4. INSTALL LEGS:**

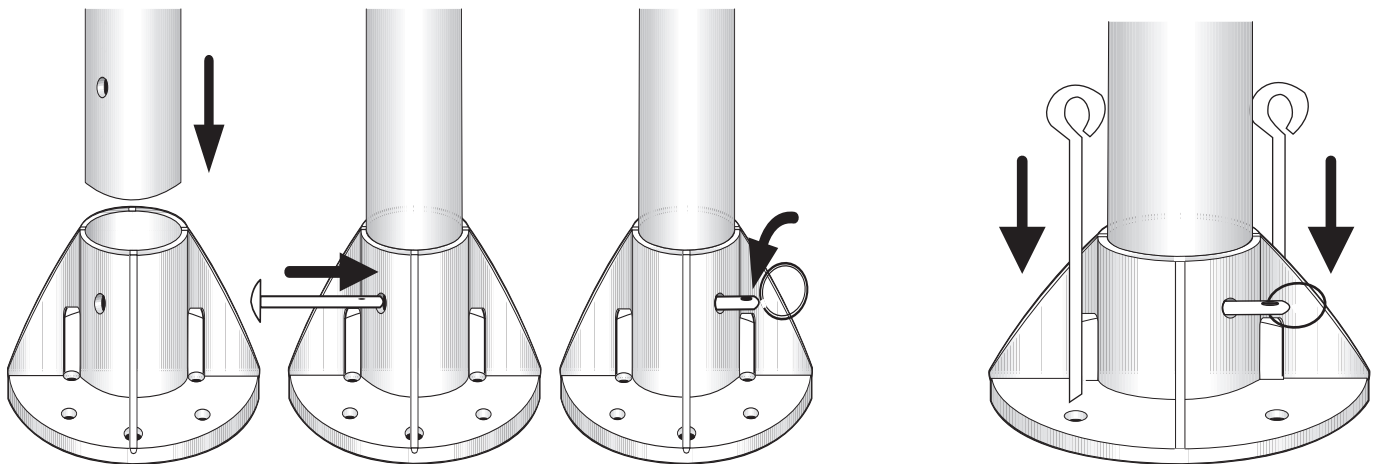
- A. Install Lower leg tubes (10392) into each leg.
- B. Ensure all round pins are popped out. See Figure 1.



#### **5. ATTACH AND SECURE FEET:**

- A. Insert the foot plates onto the bottom of the legs by lifting each leg and slide the foot onto the pole leg. Rotate the foot until the hole aligns with the hole in the pole leg. Insert 1 pin (10052) into each hole to secure each foot. Repeat for each leg.

- B. Insert two anchors into each of the foot plates. Force each anchor down until completely inserted. Repeat for each leg.



**NOTES:**





**ShelterLogic, LLC**  
**150 Callender Road**  
**Watertown, CT 06795**  
**[www.shelterlogic.com](http://www.shelterlogic.com)**