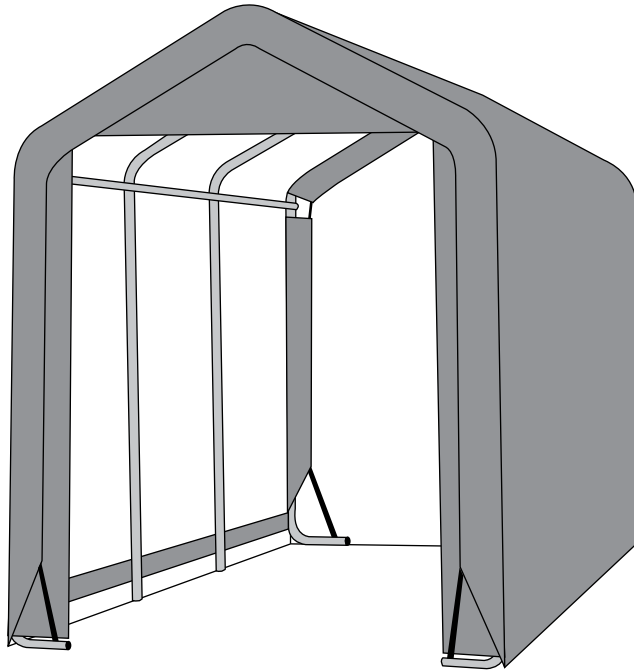
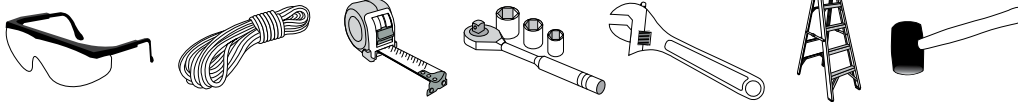


# 6' x 12' x 8' Shed-in-a-Box® Peak Style Shelter Assembly Instructions



DESCRIPTION	MODEL #
6'x12'x8' Shed-in-a-Box® - Gray	70413

## RECOMMENDED TOOLS



Please read instructions **COMPLETELY** before assembly. This shelter **MUST** be securely anchored. THIS IS A TEMPORARY STRUCTURE AND NOT RECOMMENDED AS A PERMANENT STRUCTURE.

Before you start: 1+ individual recommended for assembly, approximate time 2 hr.



150 Callender Road  
Watertown, CT 06795  
www.shelterlogic.com

**1-800-524-9970**

Canada:  
**1-800-559-6175**

## ATTENTION:

This shelter product is manufactured with quality materials. It is designed to fit the **ShelterLogic®**, LLC custom fabric cover included. **ShelterLogic®**, LLC Shelters offer storage and protection from damage caused by sun, light rain, tree sap, animal - bird excrement and light snow. Please anchor this **ShelterLogic®**, LLC structure properly. See manual for more anchoring details. Proper anchoring, keeping cover tight and free of snow and debris is the responsibility of the consumer. Please read and understand the installation detail, warnings and cautions prior to beginning installation. If you have any questions call the customer service number listed below. Please refer to the warranty card inside this package.

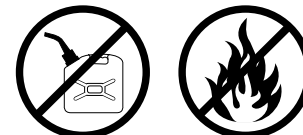
## DANGER:

Prior to installation, consult with all local municipal codes regarding installation of temporary shelters. Choose the location of your shelter carefully. **DANGER:** Check for overhead utility lines, tree branches or other structures. Check for underground pipes or wires before you dig. DO NOT install near roof lines or other structures that could shed snow, ice or excessive run off onto your shelter. DO NOT hang objects from the roof or support cables.



## WARNING:

Risk of fire. DO NOT smoke or use open flame devices (including grills, fire pits, deep fryers, smokers or lanterns) in or around the shelter. DO NOT store flammable liquids (gasoline, kerosene, propane, etc.) in or around your shelter. Do not expose top or sides of the shelter to open fire or other flame source.



## CAUTION:

Use **CAUTION** when erecting the frame. Use safety goggles during installation. Secure and bolt together overhead poles during assembly. Beware of pole ends.

## PROPER ANCHORING AND INSTALLATION OF FRAME:

### PROPER ANCHORING OF THE FRAME IS THE RESPONSIBILITY OF THE CONSUMER.

**ShelterLogic®**, LLC is not responsible for damage to the unit or the contents from acts of nature. Any shelter that is not anchored securely has the potential to fly away causing damage, and is not covered under the warranty. Periodically check the anchors to ensure stability of shelter. **ShelterLogic®**, LLC cannot be responsible for any shelter that blows away. **NOTE:** *Your shelter's cover can be quickly removed and stored prior to severe weather conditions.* If strong winds or severe weather is forecast in your area, we recommend removal of cover.

## REPLACEMENT PARTS, ASSEMBLY, SPECIAL ORDERS:

Genuine **ShelterLogic®**, LLC replacement parts and accessories are available from the factory, including anchoring kits for nearly any application, replacement covers, wall and enclosure kits, vent and light kits, frame parts, zippered doors and other accessories. All items are shipped factory direct to your door.

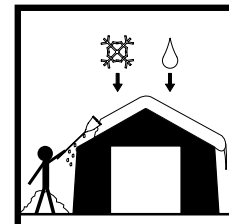
### QUESTIONS - CLAIMS - SPECIAL ORDERS? CALL OUR CUSTOMER SERVICE HOTLINE:

U.S. CUSTOMER SERVICE: 1-800-524-9970 INTERNATIONAL CUSTOMER SERVICE: 001-860-945-6442 CANADA CUSTOMER SERVICE: 1-800-559-6175

HOURS OF OPERATION: MON-FRI 8:30AM-8:00PM EST, SAT-SUN 8:30AM-5:00PM EST.

## CARE AND CLEANING:

A tight cover ensures longer life and performance. Always maintain a tight cover. Loose fabric can accelerate deterioration of cover fabric. Immediately remove any accumulated snow or ice from the roof structure with a broom, mop or other soft-sided instrument. Use extreme caution when removing snow from cover- always remove from outside the structure. DO NOT use hard-edged tools or instruments like rakes or shovels to remove snow. This could result in punctures to the cover. DO NOT use bleach or harsh abrasive products to clean the fabric cover. Cover is easily cleaned with mild soap and water.






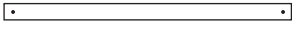
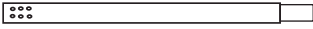


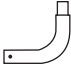



















## WARRANTY:

This shelter carries a full limited warranty against defects in workmanship. **ShelterLogic®**, LLC warrants to the Original Purchaser that if properly used and installed, the product and all associated parts, are free from manufacturer's defects for a period of:

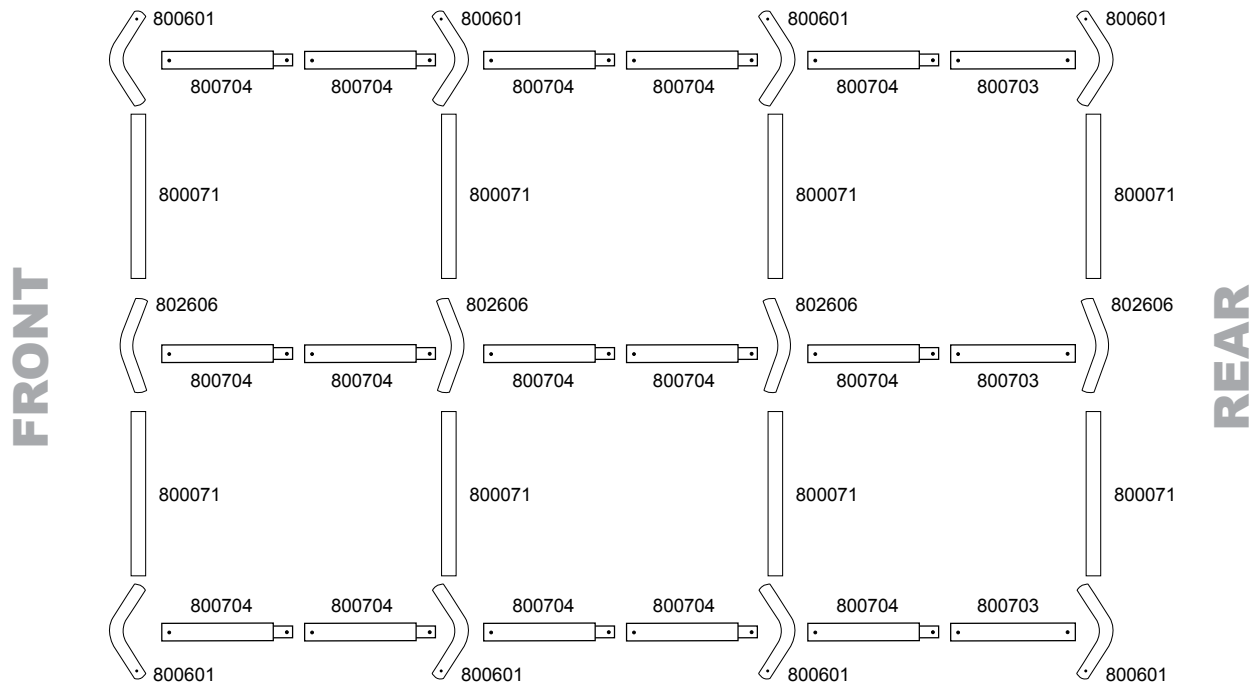
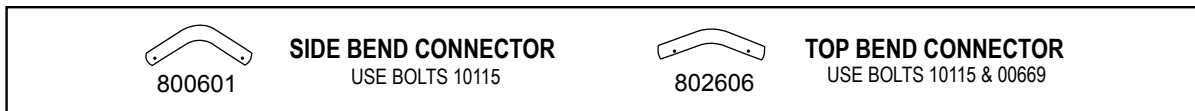
### 1 YEAR FOR COVER FABRIC, END PANELS AND FRAMEWORK

Warranty period is determined by date of shipment from **ShelterLogic®**, LLC for factory direct purchases or date of purchase from an authorized reseller, (please save a copy of your purchase receipt). If this product or any associated parts are found to be defective or missing at the time of receipt, **ShelterLogic®**, LLC will repair or replace, at it's option, the defective parts at no charge to the original purchaser. Replacement parts or repaired parts shall be covered for the remainder of the Original Limited Warranty Period. All shipping costs will be the responsibility of the customer. Parts and replacements will be sent C.O.D. You must save the original packaging materials for shipment back. If you purchased from a local dealer, all claims must have a copy of original receipt. After purchase, please fill out and return warranty card for product registration. Please see warranty card for more details.

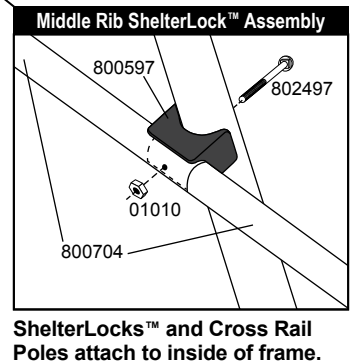
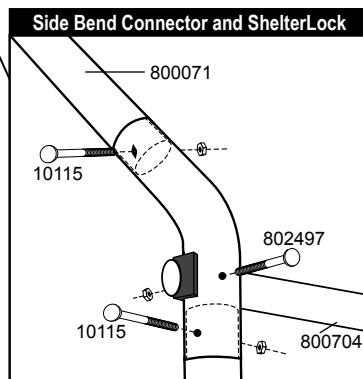
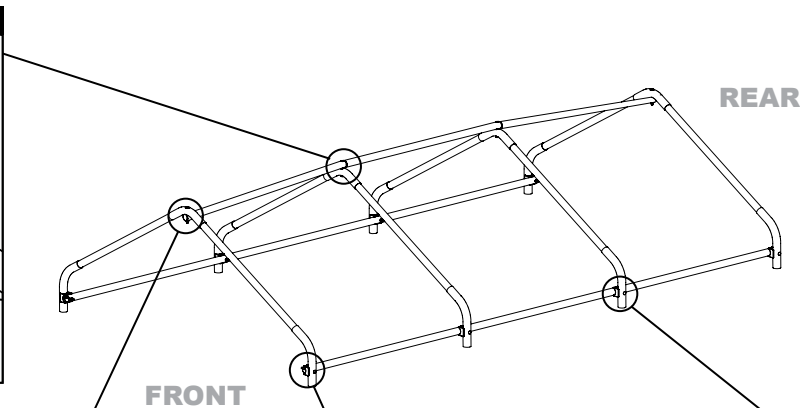
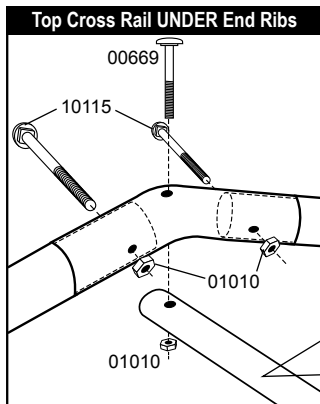
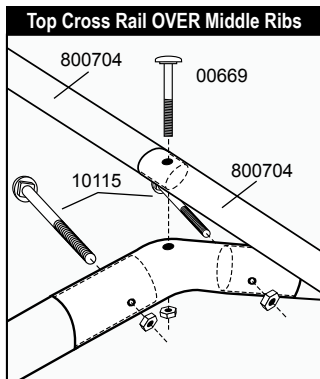
## 6' x 12' x 8' Shed-in-a-Box® Parts List - Model #70413

Description of Parts:	Quantity	Part #
 Rafter Poles 35 1/8"	8	800071
 Cross Rails, Swedge 25 3/4"  Cross Rails 24 1/2"	15 3	800704 800703
 Cross Rails 45 3/4"	6	10110
 Upright Poles, Swedge 36 5/8"	8	802437
 Upright Poles 26 3/8"	4	802440
 Middle Poles 36 3/4"	4	802445
 Corner Leg Bends	4	802427
 Side Connectors	8	800601
 Top Connectors	4	802606
 Steel Foot Plate	4	802610
 ShelterLock™	8	800597
 Ratchet Clamp	8	10240
 Round Head Bolts 5/16" x 4"	4	00669
 Bolts 1/4" x 1 5/8"	25	10115
 Bolts 1/4" x 3 3/8"	8	802497
 Washer 1/4"	8	01011
 Nut 1/4"	37	01010
 White Bungee Cords <i>(For holding door open)</i>	4	10066
 Bolt Caps <i>(For bolt 802497)</i>	8	10150
 Half-Clamps for Middle Legs	8	13201
 Half-Clamps for Corner Legs	8	13202
 Cover	1	802607
 2-Zipper Door	2	802608
 15" Auger Anchors (Temporary)  Cable - 1' Length  Cable Clamps	4 4 4	10014 10015 10016

# 1. LAYOUT ROOF FRAME

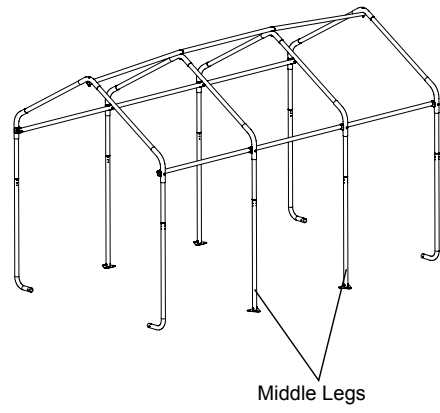
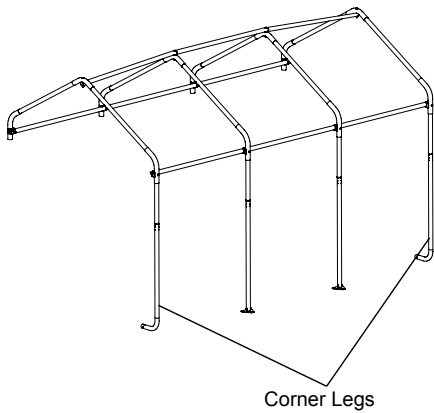
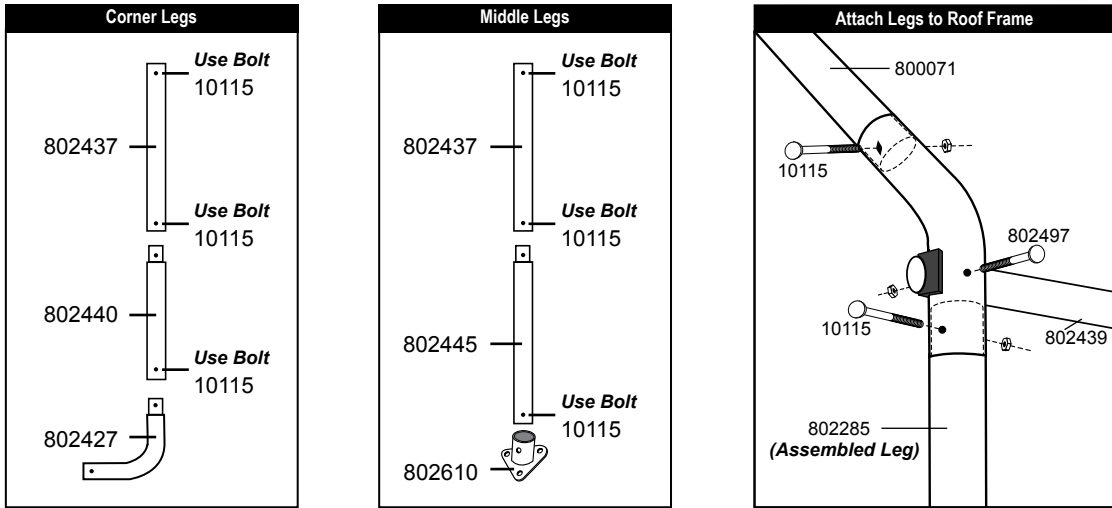


# 2. ASSEMBLE ROOF FRAME Use bolts as shown in illustrations.



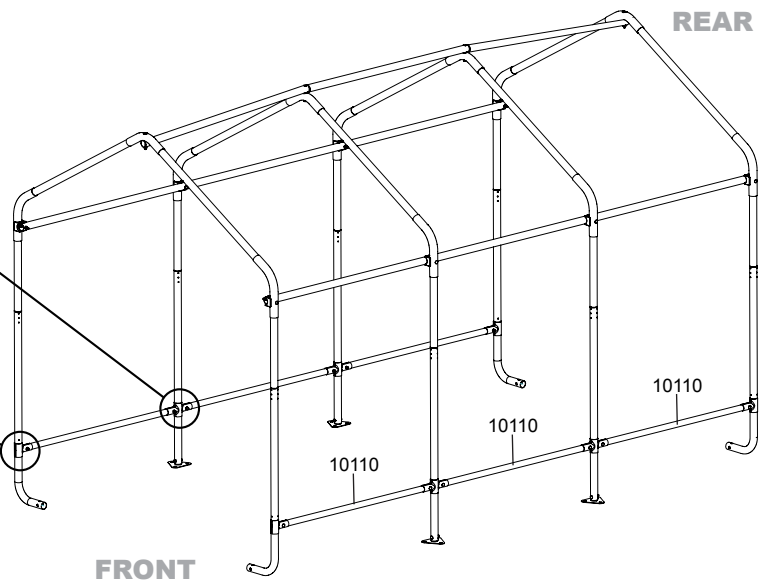
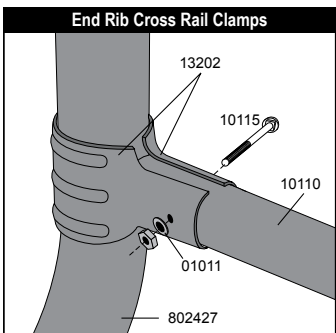
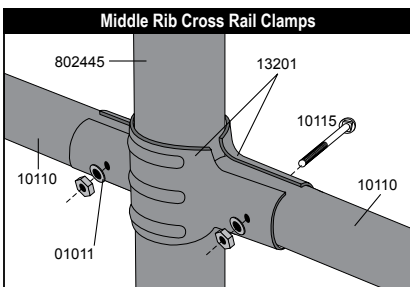
### 3. ASSEMBLE LEGS & ATTACH TO ROOF FRAME *Use bolts as shown in illustrations.*

- A. Assemble Corner and Middle legs.
- B. Attach legs with bolts on one side of roof frame, let the other side of roof frame rest on the ground.
- C. Attach remaining legs with bolts to opposite side of roof frame.



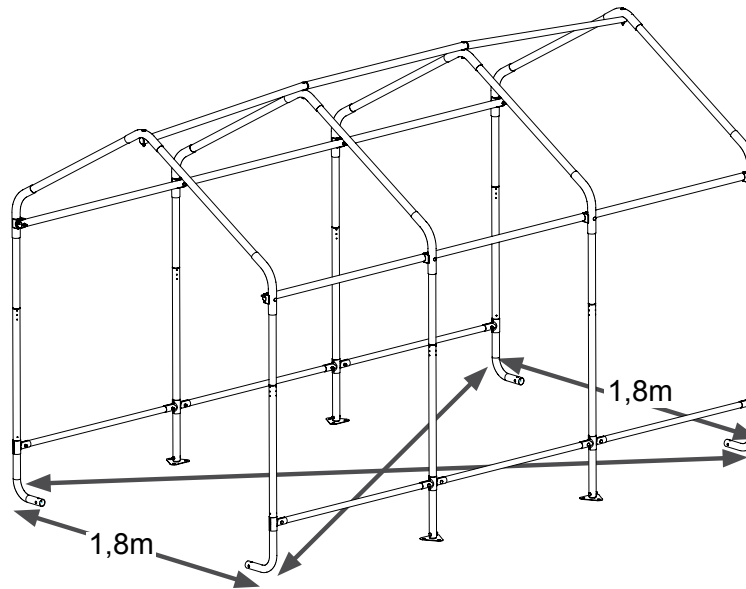
### 4. ASSEMBLE COVER RAILS

- A. Place the cover rail (10110) at each leg and secure it at each leg with a cover clamp as shown below.
- B. Slide the cover rails so they are 8" up from the ground and **hand tighten bolts on clamps**.



## 5. SQUARING UP THE FRAME

- A. Place frame in its final location, which needs to be as flat and level as possible.
- B. Measure across opposite corners. **These distances must be equal to within 1".**
- C. Check that the front and rear of the frame measures 6' in width

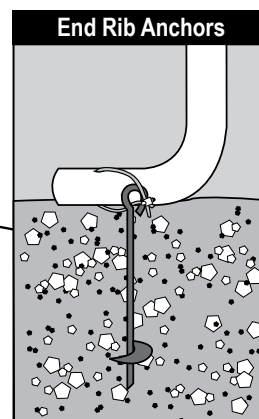
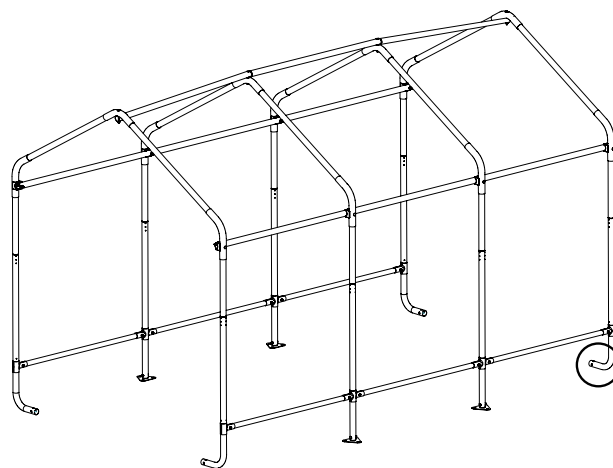


## 6. PROPERLY ANCHOR THE FRAME

- A. Anchors must be placed inside shelter at the corners of the shelter.
- B. Insert a  $\frac{3}{4}$ " pipe or steel rod, through the eyelet of the auger and screw the anchor into the ground until the eyelet is sticking out of the ground by 1-2" so it can be anchored to the legs.  
*If ground is too hard, dig a hole with a shovel or post hole tool. Fill with cement.*
- C. Wrap cable provided through the eyelet of the anchor and around the frame as shown below. Secure the cable with the clamps provided.

### NOTE:

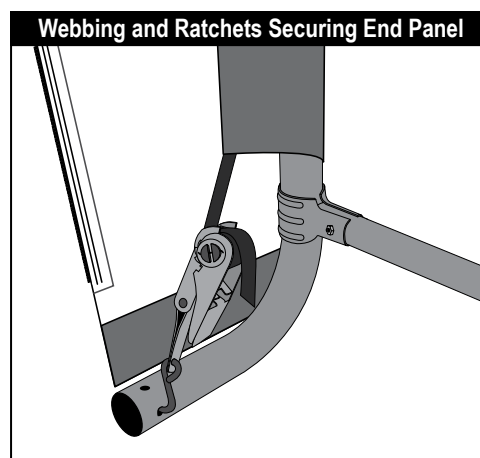
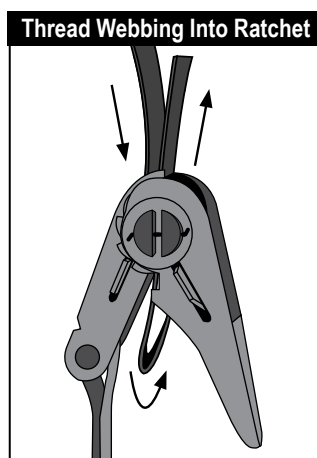
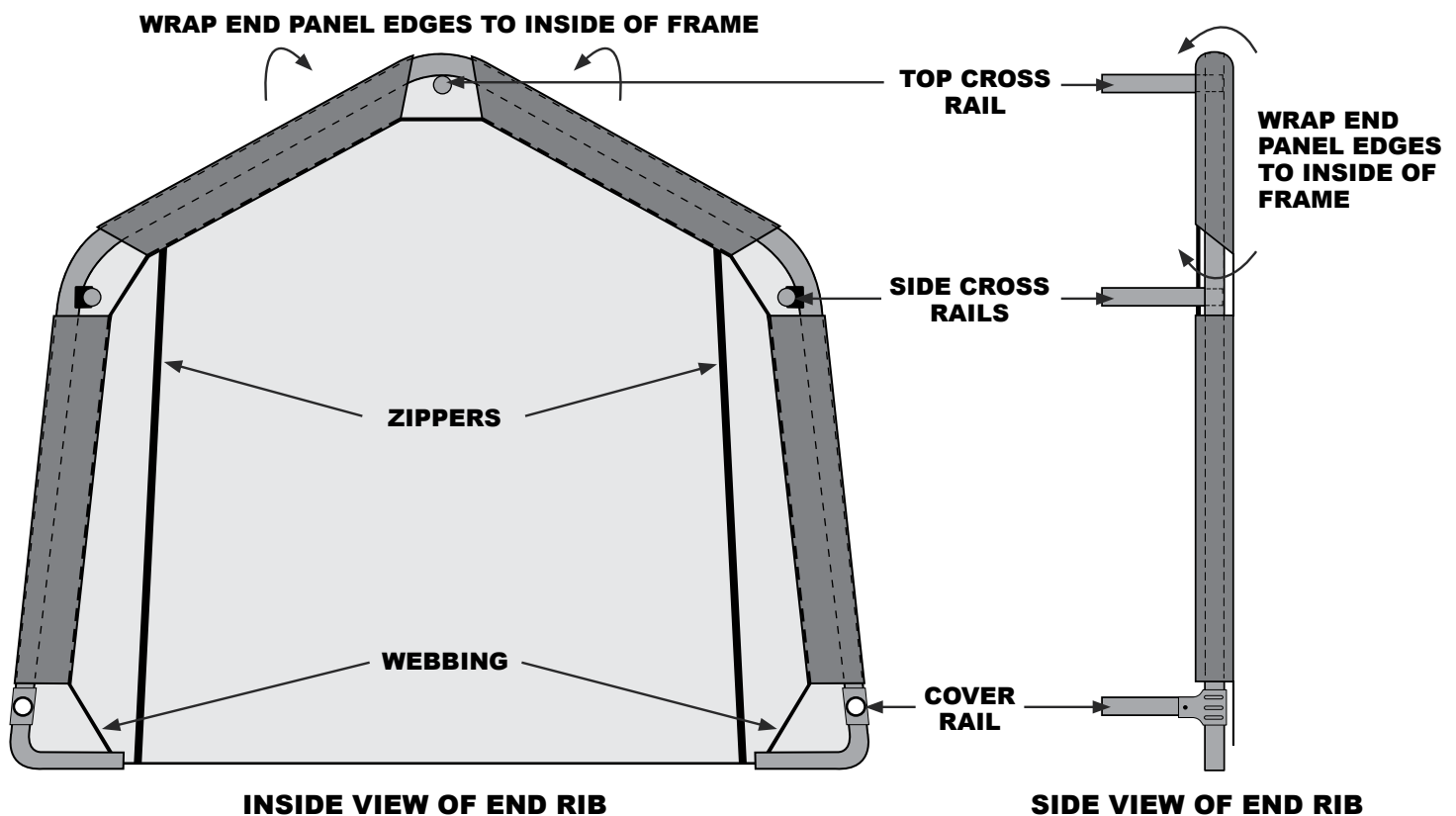
**15" Augers are for temporary use only!**  
**For best results ShelterLogic recommends using our Easy Hooks (#10036 4-pack, #10035 6-pack, or #10038 8-pack) or 30" Augers (#10075 4-pack, #10078 6-pack, or #10079 8-pack) for a stronger, more secure installation.**



**Call 1-800-524-9920  
or visit  
[www.shelterlogic.com](http://www.shelterlogic.com)  
for more information.**

## 7. DOOR AND SOLID END PANEL INSTALLATION

- Hold end panel at the top center with white inner surface facing inside of the shelter. Wrap the edges of the fabric panel around the end rib.
  - Disconnect top rail from the end rib. Pass the top cross rail through the gap in the fabric, in between the webbing and rib frame. Re-attach top cross rail to end rib. Repeat Step B for side cross rails.
  - At the bottom, where the webbing exits the pocket on each side of end panel, pull webbing to remove the slack. D. Insert the "S"- Hook on ratchet into hole on the leg bend. Insert the webbing into the spindle of the ratchet and pull tight. Wind the ratchet so that the webbing overlaps itself.
- Position the end panel **NOTE:** Do NOT insert any pipes into these pockets. is centered on the building before fully tightening the end panel.
- Tighten ratchets, alternating from one side to the other, until the end panel is centered and tight.



## 8. INSTALLING COVER AND COVER RAILS

- A. Lay the cover on the ground next to the frame with inside of the cover (the side with the pipe pockets) facing down and the webbing on the front and rear of the corner of the building.
- B. Pull cover over the frame, making sure to center cover on frame. There should be an equal amount of overhang at all four corners.
- C. Insert the "S"- Hook on ratchet into hole on the leg bend. Insert the webbing into the spindle of the ratchet and pull tight. Wind the ratchet so that the webbing overlaps itself.
- D. Disassemble cover rails and slide through fabric pockets at each leg and reattach with clamps to each leg. Repeat this on other side. Push down on cover rails to tighten cover, before tightening bolts completely.
- E. Check and tighten Ratchets and Cover Rails monthly to ensure the cover is tight.

**NOTE:** The *ShelterLogic*® logo should be oriented as shown below.

