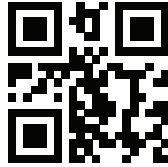


# ANVILS



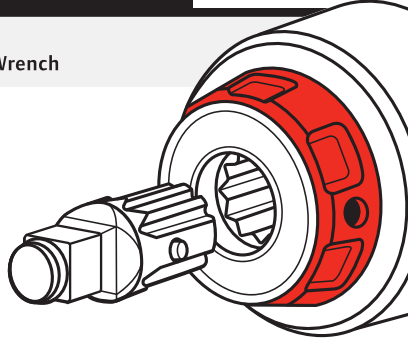
## DXS® Drive Xchange System™

- More Torque Power Transfer
- More Stability and Control
- More Versatility in One Tool



irtools.com/DXS

Item Number	Drive Anvil Size 2	Use with DXS® SIZE 2 Impact Wrench
A31H	3/8" Standard (Hog Ring)	
A41H	1/2" Standard (Hog Ring)	
AP41H	1/2" Standard (Pin Style)	
EA42H	1/2" x 2" (Hog Ring)	
EA44H	1/2" x 4" (Hog Ring)	
EA46H	1/2" x 6" (Hog Ring)	
EA48H	1/2" x 8" (Hog Ring)	
EA410H	1/2" x 10" (Hog Ring)	
A61H	3/4" Standard (Hog Ring)	
EA66H	3/4" x 6" (Hog Ring)	



### SETS:

AK32H	<b>2-pc. set includes:</b> 3/8" Standard (A31H), 1/2" Standard (A41H)
AK42H	<b>2-pc. set includes:</b> 3/4" Standard (A61H), 1/2" x 2" (EA42H)
AK62H	<b>2-pc. set includes:</b> 1/2" Standard (A41H), 3/4" Standard (A61H)
EAK62H	<b>2-pc. set includes:</b> 3/4" Standard (A61H), 3/4" x 6" (EA66H)
AK33H	<b>3-pc. set includes:</b> 3/8" Standard (A31H), 1/2" Standard (A41H), 3/4" Standard (A61H)
AK43H	<b>3-pc. set includes:</b> 1/2" x 2" (EA42H), 1/2" x 4" (EA44H), 3/4" Standard (A61H)
EAK44H	<b>4-pc. set includes:</b> 1/2" x 4" (EA44H), 1/2" x 6" (EA46H), 1/2" x 8" (EA48H), 1/2" x 10" (EA410H)

US and International Patents Pending.  
DXS® Registered Trademark of Ingersoll Rand.  
© 2024 Ingersoll Rand. All Rights Reserved.

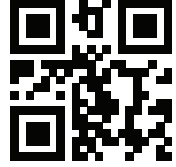


# SOCKETS



## DXS® Drive Xchange System™

- More Torque Power Transfer
- More Access with Shorter Length
- More Value with Longer Wear Life



irtools.com/DXS

METRIC (mm)				SAE (inch)			
DXSK2M15 15-pc. Set*		DXSK2M15L 15-pc. Set*		DXSK2H14 14-pc. Set*		DXSK2H14L 14-pc. Set*	
Set Includes:		Set Includes:		Set Includes:		Set Includes:	
STANDARD Socket Item Number	6pt.	DEEP Socket Item Number	6pt.	STANDARD Socket Item Number	6pt.	DEEP Socket Item Number	6pt.
DXS2SM12	12 mm	DXS2SM12L	12 mm	DXS2SH716	7/16"	DXS2SH716L	7/16"
DXS2SM13	13 mm	DXS2SM13L	13 mm	DXS2SH12	1/2"	DXS2SH12L	1/2"
DXS2SM14	14 mm	DXS2SM14L	14 mm	DXS2SH916	9/16"	DXS2SH916L	9/16"
DXS2SM15	15 mm	DXS2SM15L	15 mm	DXS2SH58	5/8"	DXS2SH58L	5/8"
DXS2SM16	16 mm	DXS2SM16L	16 mm	DXS2SH1116	11/16"	DXS2SH1116L	11/16"
DXS2SM17	17 mm	DXS2SM17L	17 mm	DXS2SH34	3/4"	DXS2SH34L	3/4"
DXS2SM18	18 mm	DXS2SM18L	18 mm	DXS2SH1316	13/16"	DXS2SH1316L	13/16"
DXS2SM19	19 mm	DXS2SM19L	19 mm	DXS2SH78	7/8"	DXS2SH78L	7/8"
DXS2SM21	21 mm	DXS2SM21L	21 mm	DXS2SH1516	15/16"	DXS2SH1516L	15/16"
DXS2SM22	22 mm	DXS2SM22L	22 mm	DXS2SH1	1"	DXS2SH1L	1"
DXS2SM24	24 mm	DXS2SM24L	24 mm	DXS2SH1-116	1-1/16"	DXS2SH1-116L	1-1/16"
DXS2SM27	27 mm	DXS2SM27L	27 mm	DXS2SH1-18	1-1/8"	DXS2SH1-18L	1-1/8"
DXS2SM30	30 mm	DXS2SM30L	30 mm	DXS2SH1-316	1-3/16"	DXS2SH1-316L	1-3/16"
DXS2SM32	32 mm	DXS2SM32L	32 mm	DXS2SH1-14	1-1/4"	DXS2SH1-14L	1-1/4"
DXS2SM33	33 mm	DXS2SM33L	33 mm				

### FEATURES:



- Ball nose retention pin for quick, tool-free installation and removal.
- Relieved 6-Point Hex corners help reduce fastener rounding.
- Meets or exceeds ASME specifications.
- Lifetime Limited Warranty.
- Chrome molybdenum (CR-MO) alloy steel with manganese phosphate finish to resist corrosion.
- Sets include EVA foam organizer for storage.
- \*Also sold individually
- Square retention pin conversion kit available for secure connection.

US and International Patents Pending.  
DXS® Registered Trademark of Ingersoll Rand.  
© 2024 Ingersoll Rand. All Rights Reserved.

