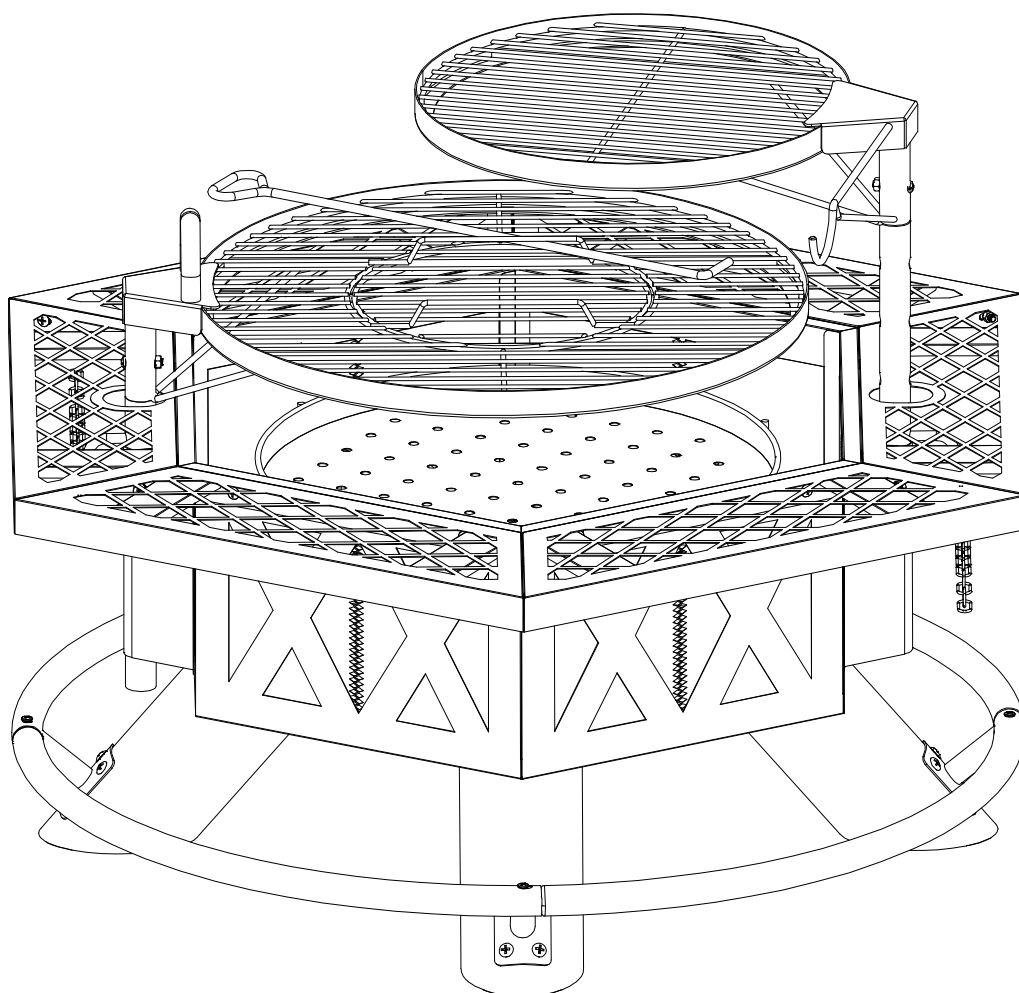




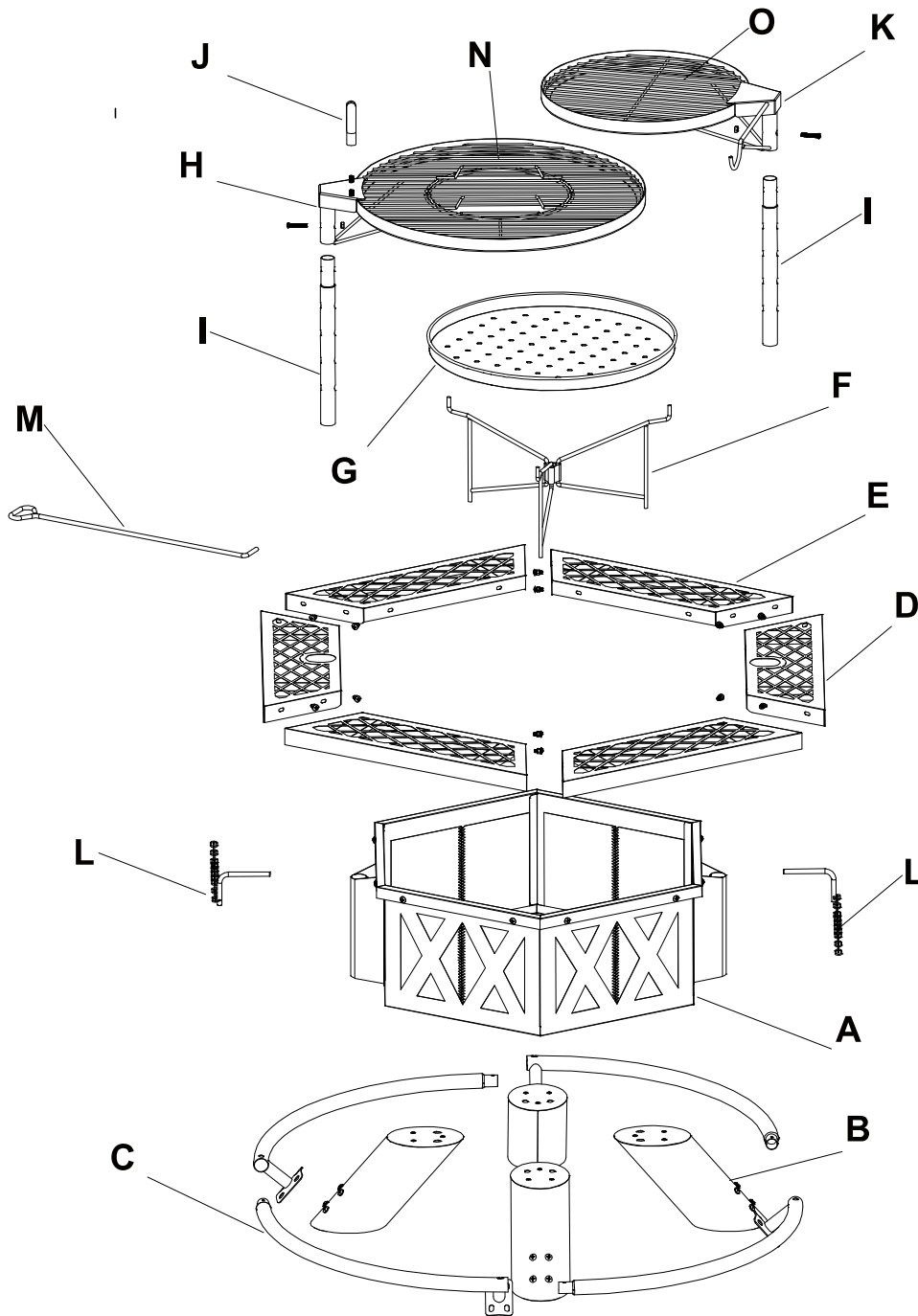
HEXAGON RANCH FIRE PIT

MODEL #: SRFP22403



Questions, problems, missing parts? Before returning to your retailer, call our customer service department at 1-888-909-3888, 7:30a.m. - 4:30p.m., PST, Monday - Friday, or send an email to customerservice@shinerich.us

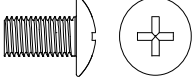
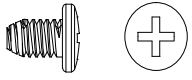
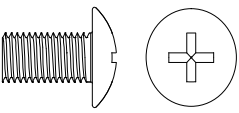
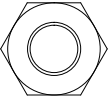
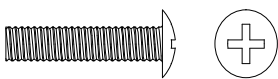
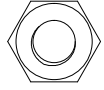
Package Contents



PART	DESCRIPTION	QTY	PART	DESCRIPTION	QTY
A	Fire Bowl	1	I	Grate Post	2
B	Leg	4	J	Lift Handle	1
C	Support Ring Section	4	K	Warming Grate Rack	1
D	Table Panel A (w/ hole)	2	L	L Pin	2
E	Table Panel B (w/o hole)	4	M	Poker	1
F	Log Rack	1	N	2-Pcs Cooking Grate	1
G	Charcoal Pan	1	O	Warming Grate	1
H	Cooking Grate Rack	1			

Package Contents

Hardware List:

	AA. M5X10 Screw (38 pcs)		DD. M5X8 Screw (4 pcs)
	BB. M6X10 Screw (16 pcs)		EE. M6 Nut (2 pcs)
	CC. M6X30 Screw (2 pcs)		FF. M5 Nut (12 pcs)

Safety Information



Please read and understand this entire manual before attempting to assemble, operate or install the product.

WARNING FOR YOUR SAFETY

1. This item is for outdoor use only, and shall NOT be used in a building, garage or any other enclosed area.
2. DO NOT use this fire pit for indoor heating. TOXIC carbon monoxide fumes can accumulate and cause asphyxiation.
3. This fire pit is NOT for commercial use.
4. This fire pit is NOT to be operated by children.
5. This fire pit is NOT to be used in or on boats or recreational vehicles.
6. Always use in accordance with all applicable local, state and national codes. Contact your local fire department for details on outdoor burning.
7. When using this fire pit, exercise the same precautions you would with any open fire.
8. The use of alcohol, prescription or non-prescription drugs may impair the consumer's ability to properly assemble or safely operate this fire pit.
9. Do NOT use this fire pit without reading this entire document and all WARNINGS, cautions and instructions.
10. This fire pit is for use with dry, seasoned hardwood. It will burn hotter, more completely and create less smoke.
11. Do NOT burn charcoal briquette, lump charcoal, manufactured logs, driftwood, trash, leaves, papers, cardboard, plywood, painted or stained or pressure treated wood. Avoid using softwoods such as pine or cedar that can throw sparks.
12. Do NOT alter this fire pit in any manner.
13. Do NOT use this fire pit until it is COMPLETELY assembled and all parts are securely fastened and tightened.

Warnings

14. Do NOT store or use gasoline or other flammable vapors or liquids in the vicinity of this or any other appliance.
15. Do NOT store or use an LP gas cylinder within 10 feet (3.05m) of this fire pit while it is in operation.
16. Do NOT use this fire pit near automobiles, trucks, vans or recreational vehicles.
17. Do NOT use in an explosive atmosphere. Keep outdoor area clean and free from combustible materials, gasoline and other flammable liquids.
18. Do NOT use this fire pit under an overhead or near any unprotected combustible constructions. Avoid using near or under overhanging trees and shrubs.
19. Always use this fire pit on a hard level non-combustible surface such as concrete, rock or stone. An asphalt or blacktop surface may not be acceptable for this purpose. Do NOT use on wooden decks.
20. Always empty this fire pit before each use.
21. Do NOT wear flammable or loose clothing when operating this fire pit.
22. Do NOT use in windy conditions.
23. Do NOT use gasoline, kerosene, diesel fuel, or lighter fluid to start a fire or enhance an existing fire.
24. Keep all electrical cords away from a hot fire pit.
25. All surfaces of this fire pit are hot when in operation. To avoid burns, do NOT touch fire pit until it has completely cooled unless you are wearing protective gear (potholders, gloves, BBQ mittens, hot pads & etc). Never touch ashes or coals to see if they are hot.
26. Do NOT leave a lit fire pit unattended, especially around children and pets.
27. Do NOT attempt to move or store this fire pit until ashes and coals are completely extinguished.
28. Do NOT remove ashes or coals until they are completely and extinguished.
29. Use heat-resistant gloves or hot pads when contacting handles.
30. Use long, sturdy fire pit tools when adding or moving logs.
31. Do NOT place wood directly into bottom of the fire pit. Place wood only on the log rack.
32. Do NOT overload the fire pit. Do not add additional firewood until the fire burns down.
33. Do NOT lean over this fire pit when lighting or when in use.
34. Do NOT place hot fire pit tools onto combustible surface such as grass, wooden deck or furniture.
35. Avoid breathing smoke from the fire and avoid getting it into your eyes.
36. This fire pit should be thoroughly inspected and cleaned on a regular basis.
37. After a period of storage and/or non-use, check for signs of damage and creosote build-up. Do NOT operate until necessary repairs and/or clean up is executed.
38. Death, serious injury or damage to property may occur if the above is not followed exactly.

Warnings

THIS FIRE PIT CAN BE USED (not served) AS A GRILL



COOKING TIPS



WARNING

Do not grasp the cooking grate with your hands while it is hot. Use barbecue mitts for handling.
Do not use water.



FOOD SAFETY TIPS

Always wash your hands thoroughly with warm soapy water before starting your meal preparations and after handling fresh meat, fish and poultry.
Defrost meat, fish and poultry in the refrigerator before cooking, not at room temperature.
Thoroughly wash all plates and cooking utensils with warm soapy water.
Keep raw meats separate from cooking foods. Do not use the same plates to handle raw meats and cooked foods.
Use separate cooking utensils for handling raw meats and cooked foods when grilling.



WARNING

This product can expose you to chemicals including soot, which is known to the State of California to cause cancer, and carbon monoxide, which is known to the State of California to cause birth defects or other reproductive harm. For more information go to:
www.P65Warnings.ca.gov.

PREPARATION

Before assembling product, make sure all parts are present. Compare parts with package contents list and hardware contents list. If any part is missing or damaged, do not attempt to assemble the product.

Estimated Assembly Time: 30 minutes

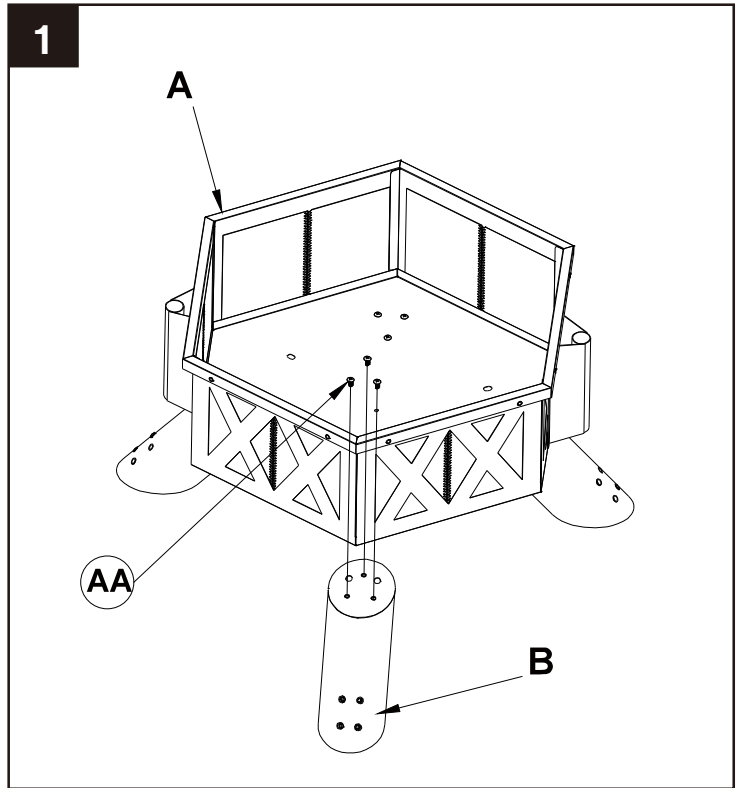
Tools required for assembly (not included): Phillips screwdriver, Adjustable open end wrench.

Assembly Instructions

NOTE: Assemble the fire pit on a non-abrasive surface.

Step 1

Attach (4) legs (B) to fire bowl (A) with (12) M5X10 screws (AA).



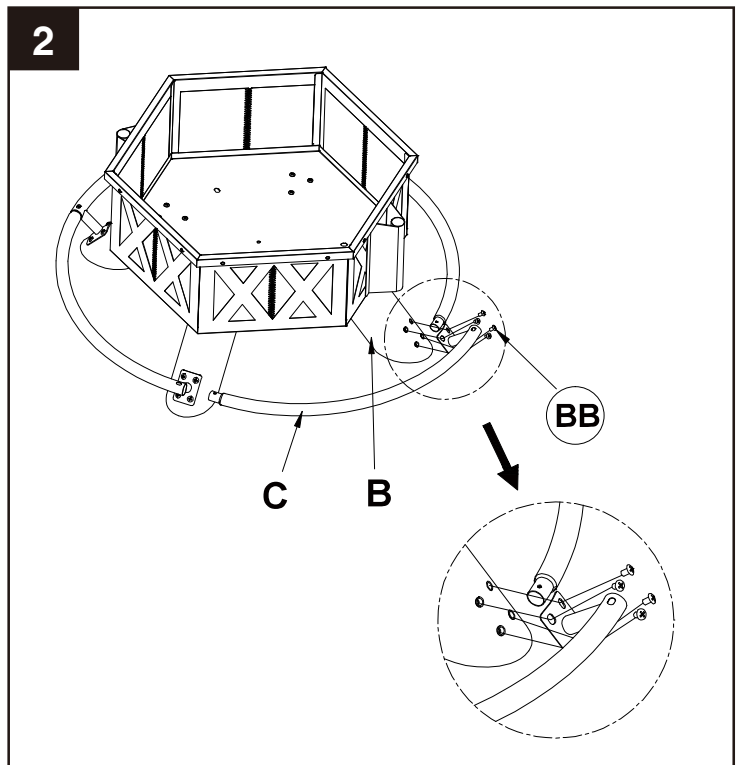
Hardware Used

AA M5X10 Screw  x 12

Step 2

Insert one support ring section (C) into another and attach the support ring assembly to leg (B) with (4) M6x10 screws (BB) as illustrated. Repeat the same procedure to install the other support ring sections (C).

NOTE: Keep all screws loose during the assembly of this step until all parts are installed into the correct position.



Hardware Used

BB M6X10 Screw  x 16

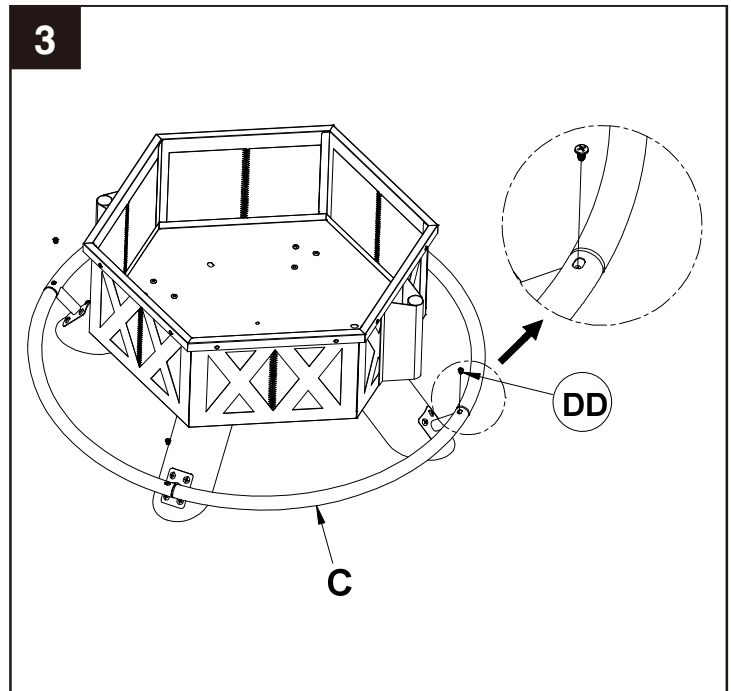
Assembly Instructions

Step 3

Secure (4) support ring sections (C) with (4) M5x8 screws (DD).

Hardware Used

DD M5X8 Screw  x 4



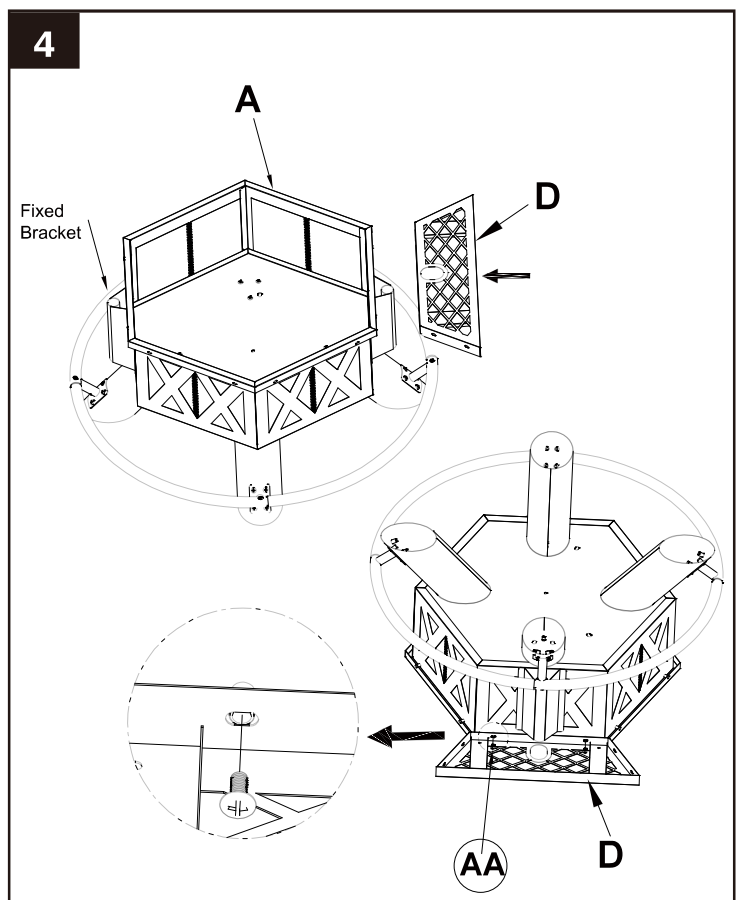
Step 4

Attach (2) table panel A (D) to the fire bowl (A) with (4) M5x10 screws (AA).

Note: The (2) table panel A must be installed on the side with fixed bracket.

Hardware Used

AA M5X10 Screw  x 4

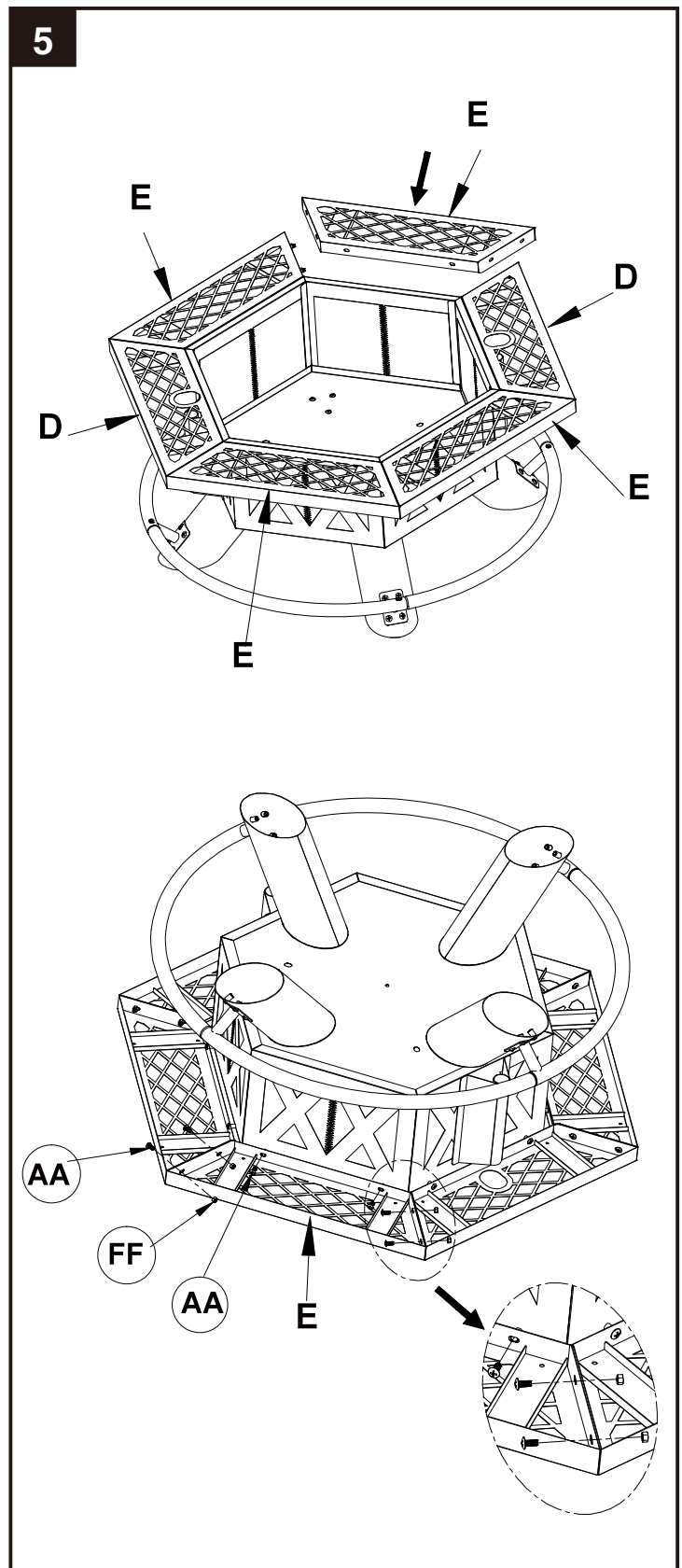


Assembly Instructions

Step 5

Attach (4) table panel B (E) to the fire bowl (A) with (20) M5x10 screws (AA) and (12) M5 nuts (FF).

Note: Keep all screws loose during the assembly of this step until all six table panels are align properly.



Hardware Used

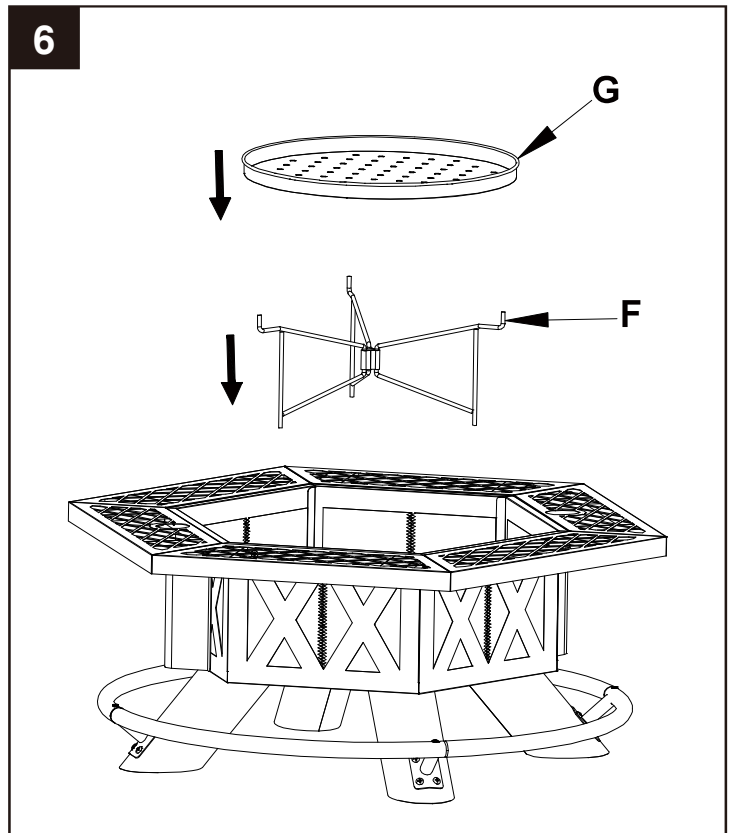
AA M5X10 Screw  x 20

FF M5 Nut  x 12

Assembly Instructions

Step 6




Put the log rack (F) at the bottom of the fire bowl (A), and place the charcoal pan (G) on it.

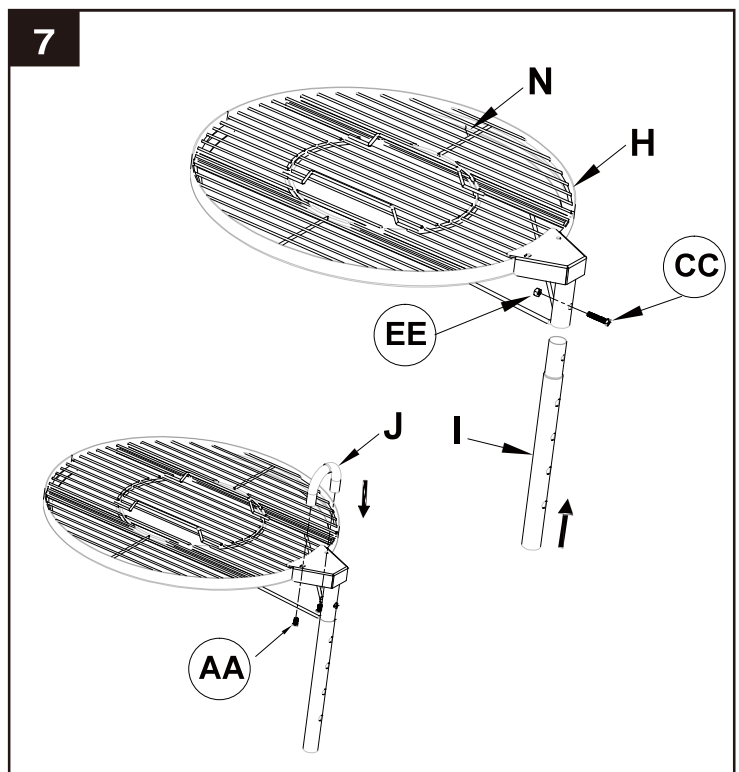


Step 7

Attach the cooking grate rack (H) to the grate post (I) with (1) M6x30 screw (CC) and (1) M6 Nut (EE). Then install the lift handle (J) on it with (2) M5x10 screws (AA) as illustrated.

Hardware Used

AA M5X10 Screw		x 2
CC M6X30 Screw		x 1
EE M6 Nut		x 1



Assembly Instructions

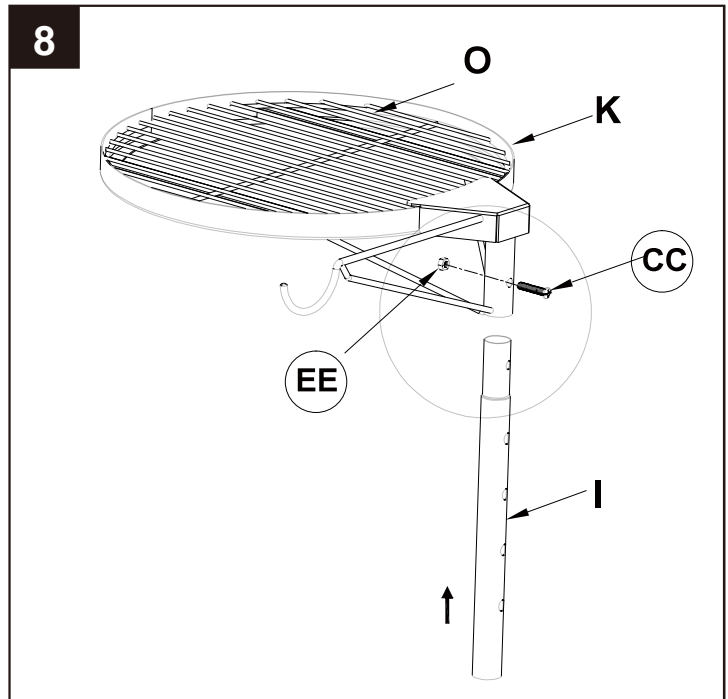
Step 8

Attach the warming grate rack (K) to the grate post (I) with (1) M6x30 screw (CC) and (1) M6 Nut (EE).

Hardware Used

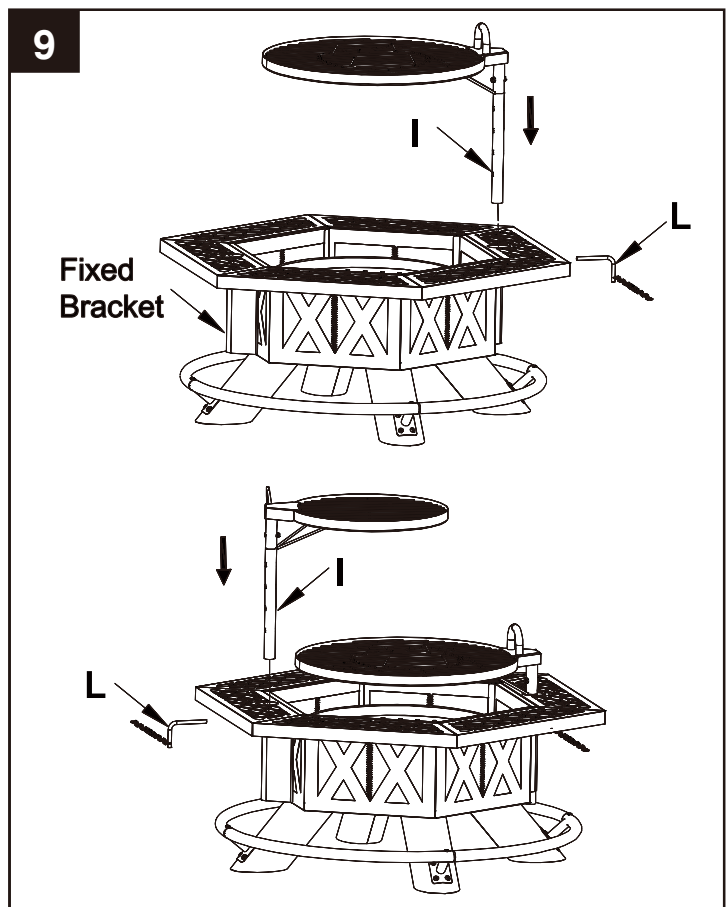
CC M6X30 Screw  x 1

EE M6 Nut  x 1



Step 9

Lock the grate post (I) into each fixed bracket with L pin (L).



Operating Instructions

Lighting

1. Make sure there is only a small amount of ash in the bottom of the bowl.
2. Place a layer of dry kindling or a natural fire-starter onto the center of the grate.
3. Place above that a layer of dry seasoned hardwood that is cut to lengths no more than 3/4 the diameter of the bowl.
4. Use a match to light kindling or fire-starter.

Tending the Fire

You may need to shift and/or add logs for an ideal experience.

1. While using a long handled fire pit tool, shift coals and logs to allow additional airflow.
2. Do NOT add gasoline, kerosene, diesel fuel, lighter fluid or alcohol to relight or enhance an existing fire.
3. Wait until glowing coals have developed before adding any additional wood. If additional wood is required, place wood on top coals, be careful not to shift ashes.

Extinguishing

1. Allow fire to burn itself out.
2. Do NOT use water to extinguish as this is dangerous and can cause damage to this outdoor fire pit.

Care and Maintenance

Inspecting

This fire pit should be inspected on a regular basis to ensure product safety and longer product life. Do NOT attempt to inspect this fire pit until the fire is COMPLETELY out and cool to the touch.

1. Check components for any signs of damage or rust.
2. If damage to any component is detected, do NOT operate until repairs are executed.

Cleaning

This fire pit should be cleaned on a regular basis to promote safer experiences and longer product life.

Note: After repeated use, a slight discoloration of the finish may occur.

Do NOT attempt to clean this fire pit until the fire is COMPLETELY out and cool to the touch.

Do NOT use oven cleaner or abrasive cleaners as they will damage this product.

Do NOT clean any part of this fire pit in a self cleaning oven as it may damage the finish.

1. Wipe exterior surfaces with a mild dishwashing detergent or baking soda.
2. For stubborn surfaces use a citrus based degreaser and a nylon scrubbing brush.
3. Rinse and clean with water.
4. Remove built-up creosote from components with a chimney cleaning product.

Storage

Do NOT move or store this fire pit until the fire is COMPLETELY out and cool to the touch.

1. Once the fire is out, coals are cold and fire pit is cool to the touch, remove ashes and properly dispose.
2. Store the fire pit in a dry location to maximize product life.
3. Store assembled in a location away from children and pets.

Warranty Information

The appliance has been manufactured under the highest standards of quality and workmanship. We warrant to the original consumer purchaser that all aspects of this product will be free of defects in material and workmanship for one year from the date of purchase. A replacement for any defective part will be supplied free of charge for installation by the consumer. Defects or damage caused by the use of other than genuine parts are not covered by this warranty. This warranty shall be effective from the date of purchase as shown in the purchaser's receipt.

This warranty is valid for the original consumer purchaser only and excludes industrial, commercial or business use of the product, product damage due to shipment or failure which results from alteration, product abuse, or product misuse, whether performed by a contractor, service company, or consumer. We will not be responsible for labor charges and / or damage incurred in installation, repair or replacement, nor for incidental or consequential damage.



Need help?
call our toll free number at:
1-888-909-3888 or
customerservice@shinerich.us