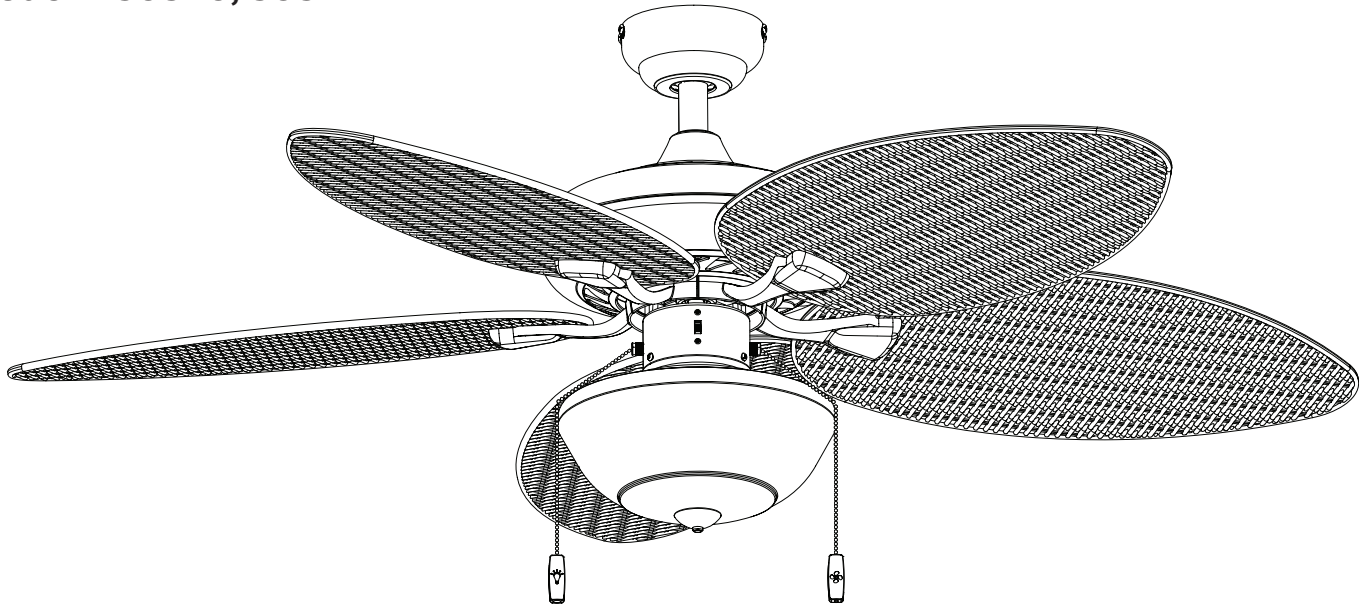


User Guide

## Inland Breeze Ceiling Fan

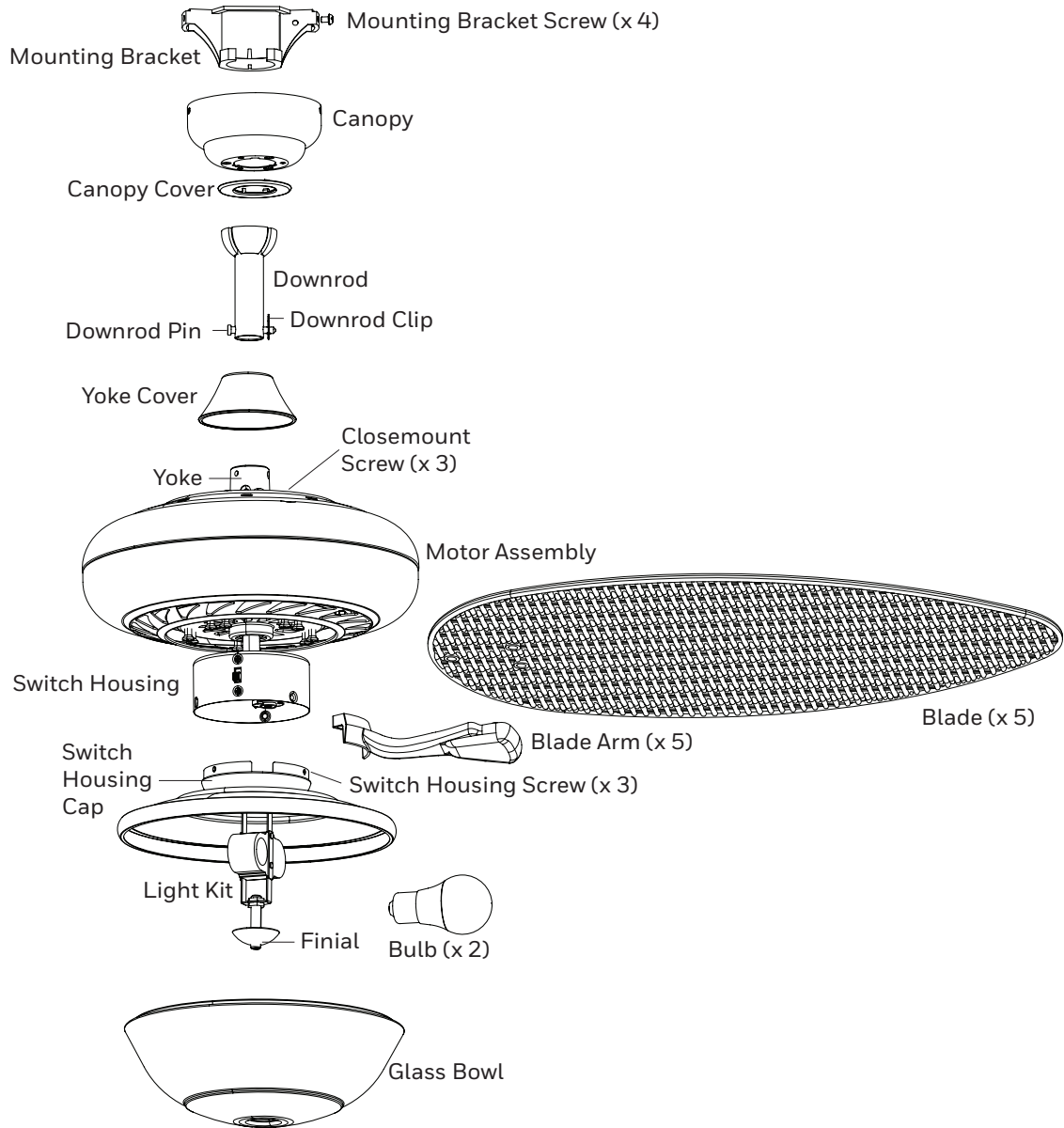
Model #50510, 50511



### INDEX

Package Contents .....	2
Hardware Contents .....	2
Safety Information .....	3
Care and Maintenance .....	3
Preparation .....	4
Initial Installation .....	4
Standard or Angle Mount Instructions .....	5
Closemount Instructions .....	6
Final Installation .....	6
Installation Without Light Kit .....	8
Operating Instructions .....	9
Troubleshooting .....	9
Warranty .....	10
Replacement Parts List .....	10

## PACKAGE CONTENTS



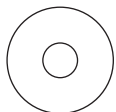
## HARDWARE CONTENTS



Blade Screw (x 15)



Plug Button



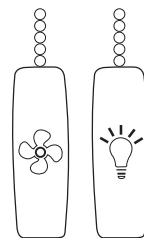
Blade Washer (x 15)



Wire Connector (x 3)



Blade Balancing Kit



Pull Chain Extension (x 2)

## SAFETY INFORMATION

Please read and understand this entire manual before attempting to assemble, operate or install the product.

- Before you begin installing the fan, disconnect the power by removing fuses or turning off the circuit breakers.
- Make sure all electrical connections comply with local codes, ordinances, the National Electrical Code and ANSI/NFPA 70-199. Hire an electrician or consult a do-it-yourself handbook if you are unfamiliar with installing electrical wiring.
- Make sure the installation site you choose allows a minimum of 7 feet from the blades to the floor and at least 30 inches from the tip of the blades to any obstruction.
- The weight of the fan is 23.01 pounds.

**⚠ DANGER:** When using an existing outlet box, make sure it is securely attached to the building structure and can support the full weight of the fan. Failure to do this can result in serious injury or death. The stability of the outlet box is essential in minimizing wobble and noise in the fan after installation is complete.

**⚠ WARNING:** To avoid personal injury, the use of gloves may be necessary while handling fan parts with sharp edges.

**⚠ WARNING:** Using a full-range dimmer switch to control fan speed will cause a humming sound from the fan. To reduce the risk of fire or electric shock, do NOT use a full-range dimmer switch to control fan speed.

**⚠ WARNING:** To reduce the risk of fire, electric shock or personal injury, mount the fan to an outlet box marked "ACCEPTABLE FOR FAN SUPPORT" and use the mounting screws provided with the outlet box. Most outlet boxes commonly used for the support of lighting fixtures are not acceptable for fan support and may need to be replaced. Consult a qualified electrician if in doubt. Secure the outlet box directly to the building structure. The outlet box and its support must be able to support the moving weight of the fan (at least 35 lbs.).

**⚠ WARNING:** To reduce the risk of fire, electric shock or personal injury, wire connectors provided with this fan are designed to accept only one 12-gauge house wire and two lead wires from the fan. If your house wire is larger than 12-gauge and/or there is more than one house wire to connect to the two fan lead wires, consult an electrician for the proper size wire connectors to use.

**⚠ WARNING:** To reduce the risk of fire, electric shock or personal injury, do not bend the blade arms when installing them, balancing the blades or cleaning the fan. Do not insert objects between the rotating fan blades.

**⚠ WARNING:** To reduce the risk of personal injury, use only parts provided with this fan. The use of parts other than those provided with this fan will void the warranty.

**CAUTION:** Be sure the outlet box is properly grounded or a ground (green or bare) wire is present.

**CAUTION:** Carefully check all screws, bolts, and nuts on the fan assembly ensure they are secured.

This equipment has been tested and found to comply with the limits for a Class B digital device, pursuant to Part 15 of the FCC Rules. These limits are designed to provide reasonable protection against harmful interference in a residential installation. This equipment generates, uses and can radiate radio frequency energy and, if not installed and used in accordance with the instructions, may cause harmful interference to radio communications. However, there is no guarantee that interference will not occur in a particular installation. If this equipment does cause harmful interference to radio or television reception, which can be determined by turning the equipment off and on, the user is encouraged to try to correct the interference by one or more of the following measures:

--Reorient or relocate the receiving antenna.

--Increase the separation between the equipment and receiver

--Connect the equipment into an outlet on a circuit different from that to which the receiver is connected.

--Consult the dealer or an experienced radio/TV technician for help.

Please note changes or modifications not expressly approved by the party responsible for compliance could void the user's authority to operate the equipment.

## CARE AND MAINTENANCE

At least twice each year, lower the canopy to check the downrod assembly and tighten all screws on the fan. Clean the motor housing and blades with a soft brush or lint-free cloth to avoid scratching the finish.

**Important:** Shut off the main power supply before you begin any maintenance task. Do NOT use water or a damp cloth to clean the fan.

## PREPARATION

Before beginning the assembly of this product, ensure all parts are present. Compare all parts with the package contents list and hardware contents list. If any part is missing or damaged, do not attempt to assemble the product.

Estimated assembly time: 2 hours

Tools required (not included): Electrical tape, Phillips Screwdriver, Safety Glasses, Step Ladder, and Wire Strippers.

1. Turn off power to the fan at the breaker box and the wall switch (Figure 1.1). **DANGER:** Failure to disconnect the power supply prior to installation may result in serious injury or death.
2. Choose one of the following mounting options (Figure 1.2):
  - Standard Mount** - best suited for ceilings 8 feet or higher. For very high ceilings, use a longer downrod (not included).
  - Angle Mount** - best suited for angled or vaulted ceilings. A longer downrod is sometimes necessary to ensure proper blade clearance. Ensure the ceiling angle is not steeper than 16 degrees.
  - Flushmount Installation** - not available for this model.
  - Closemount Installation** - best suited for ceilings 8 feet or lower.
3. Choose a suitable location - Ensure the blades will be at least 30 inches from any obstructions. Also check the downrod length to ensure the blades will be at least 7 feet above the floor (Figure 1.3).

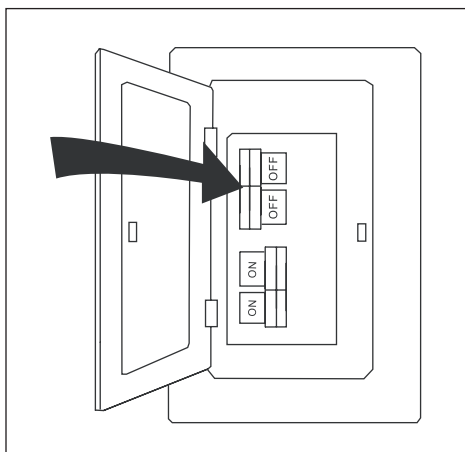


Figure 1.1

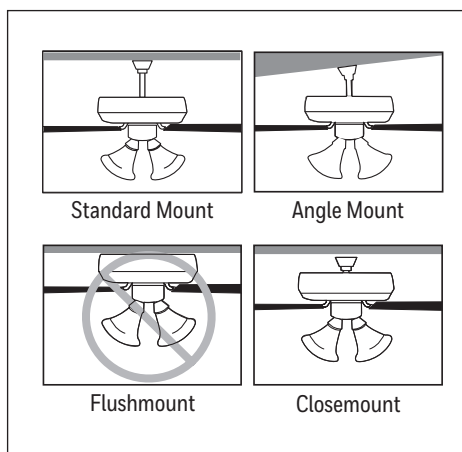


Figure 1.2

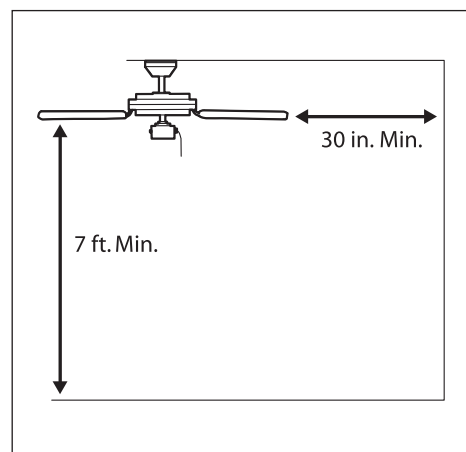


Figure 1.3

## INITIAL INSTALLATION

1. Loosen all four mounting bracket screws and completely remove the two screws from the round holes in the canopy. Then remove mounting bracket from the canopy and save them for later (Figure 2.1).
2. Install the mounting bracket to the outlet box (sold separately) using the screws and washers provided with the outlet box (Figure 2.2).
3. Remove motor screws, motor blocks and washers from underside of the motor assembly. Discard the motor blocks and washers but keep the motor screws for blade arm attachment (Figure 2.3).

**For CLOSEMOUNT INSTRUCTIONS, skip to page 6.**

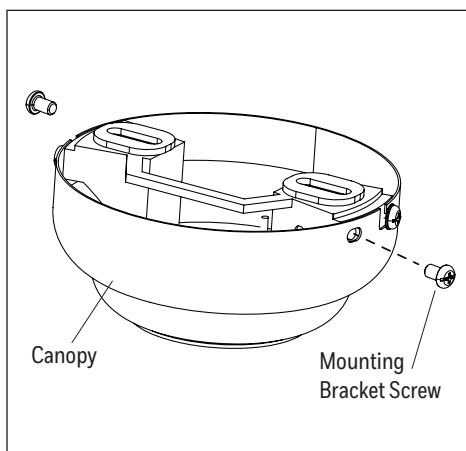


Figure 2.1

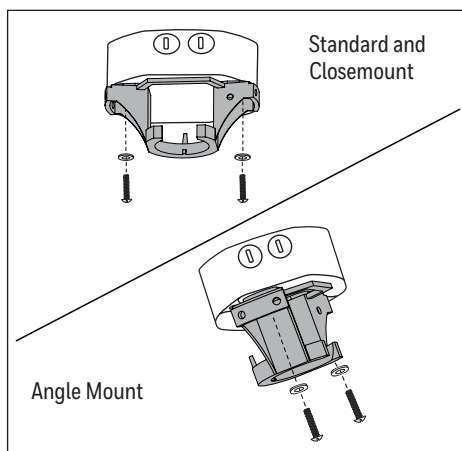


Figure 2.2

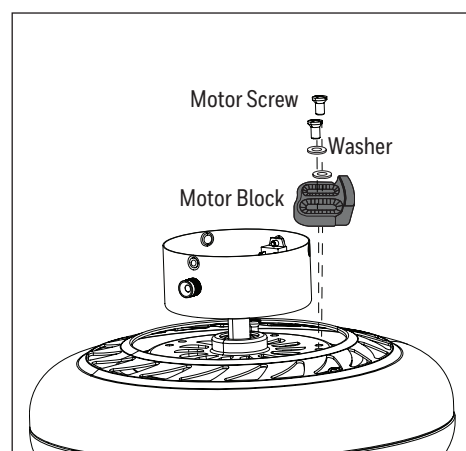


Figure 2.3

## STANDARD OR ANGLE MOUNT INSTRUCTIONS

1. Feed the fan wires through the yoke cover, canopy and downrod (Figure 3.1).
2. Partially loosen the two set screws in the yoke at the top of the motor assembly to allow for installation of the downrod. Slide the downrod into the yoke of the motor assembly. Align holes and reinstall the downrod pin and downrod clip and re-tighten the set screws (Figure 3.2).
3. Depending on the length of downrod you use, you may want to cut the fan wires to simplify wiring. After pulling the wires all the way through the downrod, measure 8 inches of wire. Cut off the excess wire using wire cutters (not included). Then strip 1/2 inch of insulation from the end of each wire strand (Figure 3.3).
4. Install the ball end of the downrod into the opening of the mounting bracket (Figure 3.4). **WARNING:** Failure to align the slot in the ball with the tab on the mounting bracket may cause the fan to fall, which could result in injury or death.

Skip to FINAL INSTALLATION, page 6.

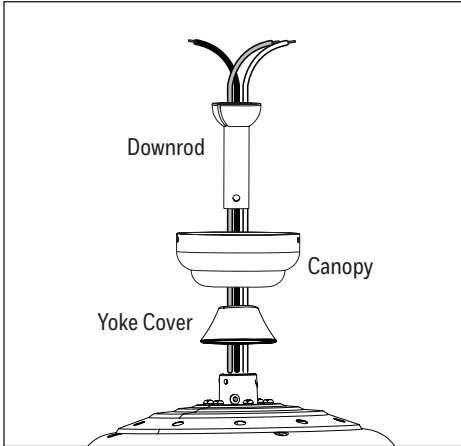


Figure 3.1

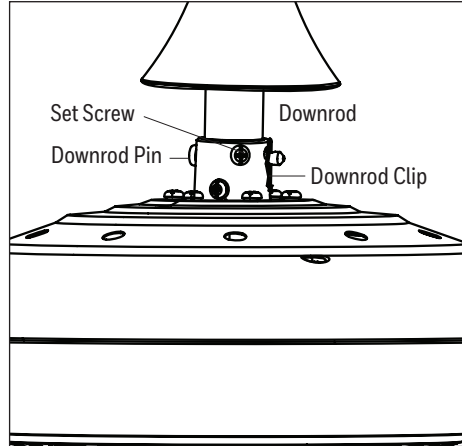


Figure 3.2

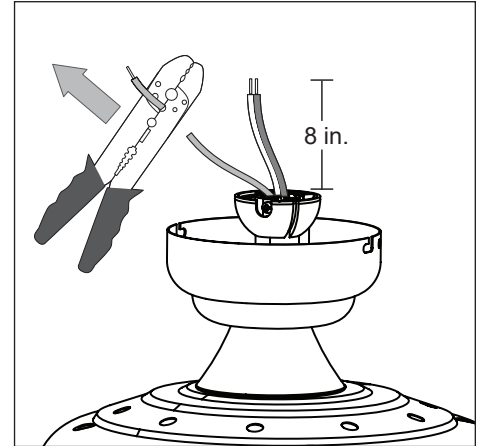


Figure 3.3

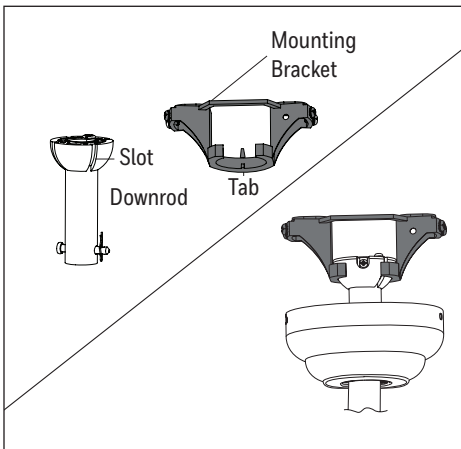


Figure 3.4

## CLOSEMOUNT INSTRUCTIONS (optional)

1. Remove the canopy cover from the bottom of the canopy (Figure 4.1).
2. Remove the three Phillips-head closemount screws from the top of the motor assembly. Then align the canopy with the holes in the top of the motor assembly. The larger holes in the canopy will encompass the remaining screws. Secure the canopy to the top of the motor assembly with the previously removed closemount screws (Figure 4.2).
3. Raise the motor assembly and place the canopy on the hook of the mounting bracket to free hands during the wiring process (Figure 4.3).

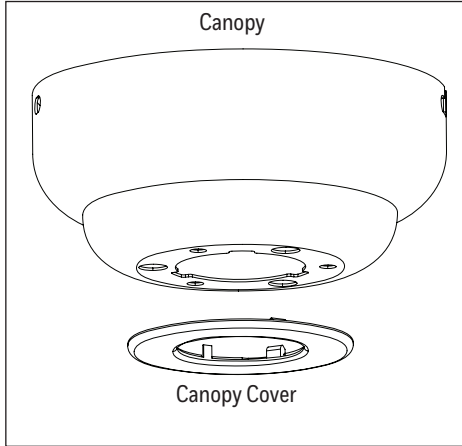


Figure 4.1

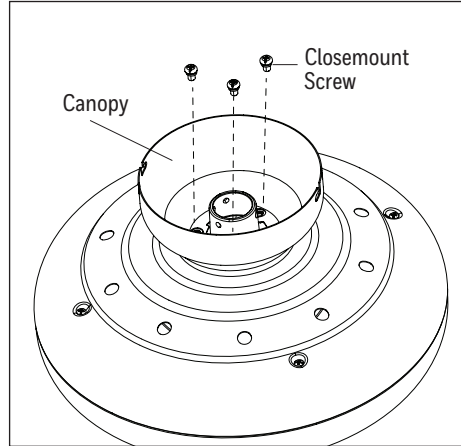


Figure 4.2

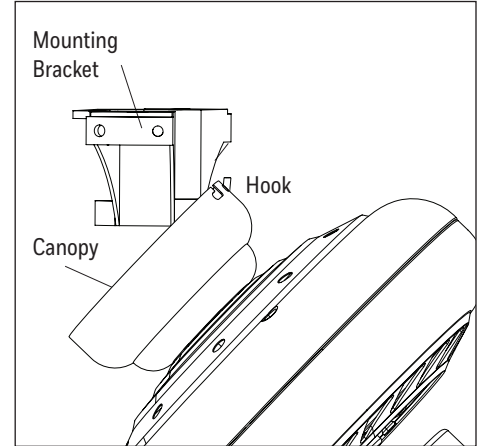


Figure 4.3

## FINAL INSTALLATION

1. Use wire connectors to connect household supply and fan wires according to the diagram (Figure 5.1) and the following steps:
  - Connect the green wire from the downrod and mounting bracket to the Bare/Green (ground) supply wire. **Note:** Closemount installation does not use the downrod, so there will only be two Green wires to connect.
  - Connect the White wire from the fan to the White (neutral) supply wire.
  - Connect the Black and Blue wires from the fan to the Black (hot) supply wire.**Note:** If there is a second hot supply wire in the outlet box, connect it to the blue (light power) fan wire for separate light and fan control.
2. Align the canopy over the loosened mounting bracket screws. Place the L-slot of the canopy onto the mount bracket screws and rotate counterclockwise (Figure 5.2).
3. Secure the canopy with the two previously removed mounting bracket screws. Tighten all the mounting bracket screws securely (Figure 5.3).

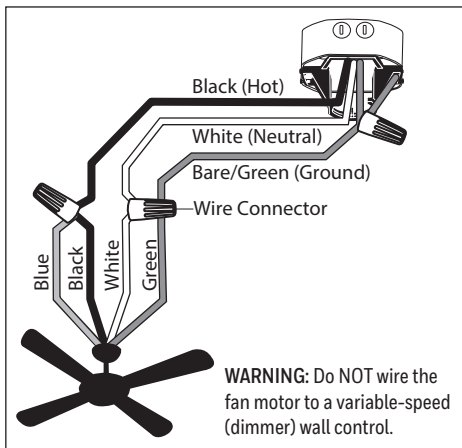


Figure 5.1

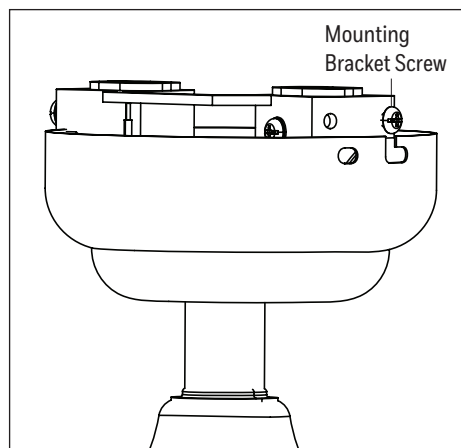


Figure 5.2

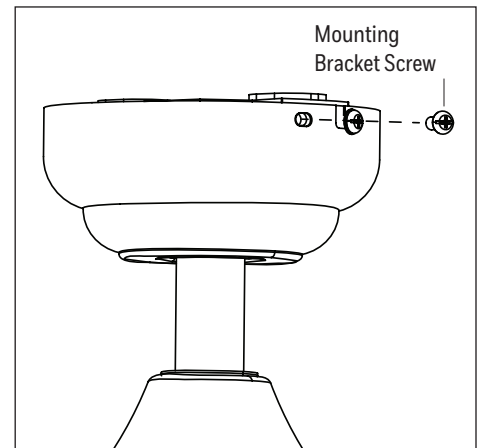


Figure 5.3

## FINAL INSTALLATION

- Partially insert the blade screws along with blade washer through blade and into the blade arm. Tighten each blade screw starting with the one in the middle. Repeat this step for the remaining blades and blade arms (Figure 5.4).
- Install the blade arm to the underside of the motor assembly using the ten previously removed motor screws (Figure 5.5). **To INSTALL THE FAN WITHOUT THE LIGHT KIT**, skip to page 8.
- Remove the three switch housing screws from the top edge of the light kit. Then, remove the finial, hex nut, rubber washer, and glass bowl from the light kit (Figure 5.6).
- Connect the single-pin connectors from the fan to the light kit -- blue to black and white to white (Figure 5.7). **Note:** Align the notch in the switch housing cap with the reverse switch on the switch housing.
- Attach the switch housing cap to the switch housing using the previously removed switch housing screws (Figure 5.8).
- Install the two E26-base LED bulbs (Figure 5.9).

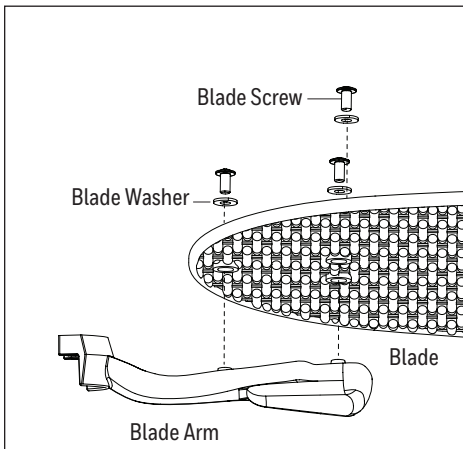


Figure 5.4

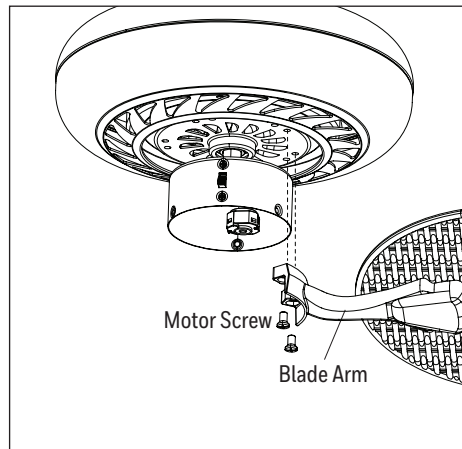


Figure 5.5

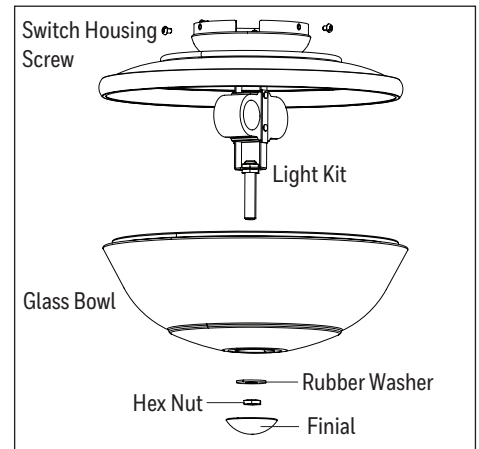


Figure 5.6

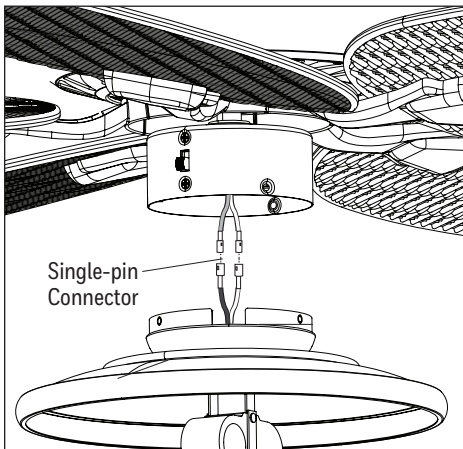


Figure 5.7

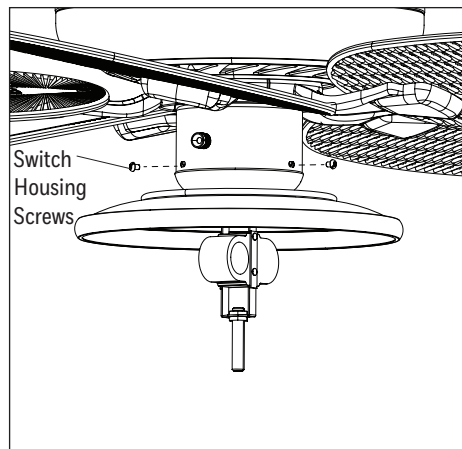


Figure 5.8

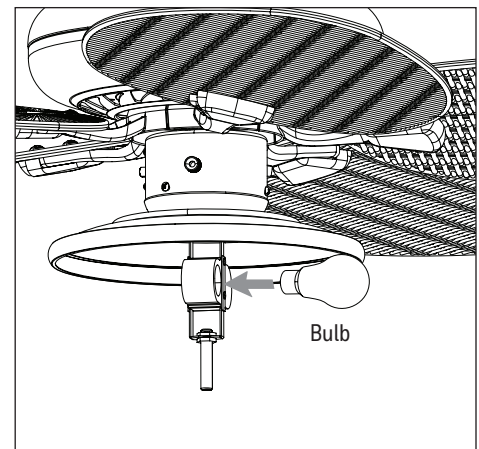


Figure 5.9

## FINAL INSTALLATION

- Lift the glass bowl up until the threaded rod of the light kit is visible, then install the rubber washer and hex nut to secure it. Screw the finial onto the threaded rod of the light kit (Figure 5.10).
- Attach the pull chain extensions to the pull chains. **Note:** When facing the reverse switch, the pull chain on the left is for the light and the pull chain on the right (Figure 5.11).
- Turn on power to fan at breaker box and the wall switch (Figure 5.12). Assembly is complete.

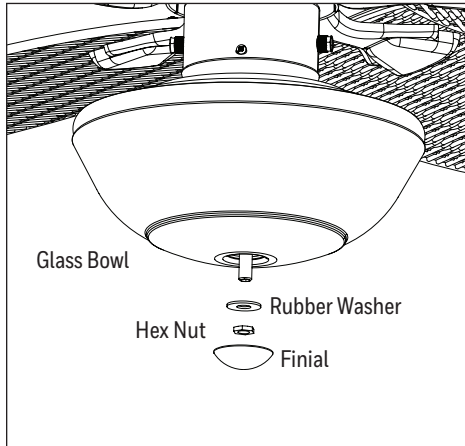


Figure 5.10

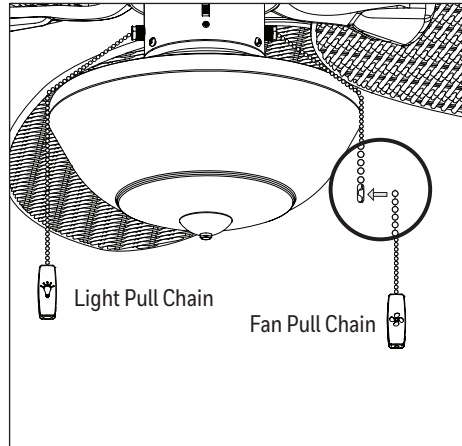


Figure 5.11

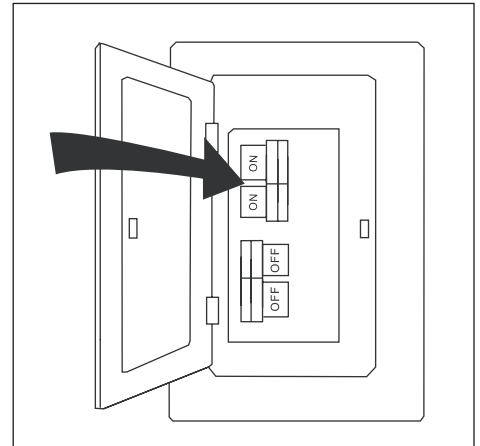


Figure 5.12

## INSTALLATION WITHOUT LIGHT KIT (optional)

To install the fan without the light kit:

- Remove the preassembled hex nut and lock washer from inside the switch housing cap. Then remove the light pan and light kit from the switch housing cap. Install the plug button (Figure 6.1).
- Remove the three switch housing screws from the switch housing cap. Attach the switch housing cap to the switch housing using the switch housing screws. **Note:** Align the notch in the switch housing cap with the reverse switch on the switch housing (Figure 6.2).
- Attach the pull chain extension (Figure 6.3). Turn on power to fan at breaker box and the wall switch. Assembly is complete.

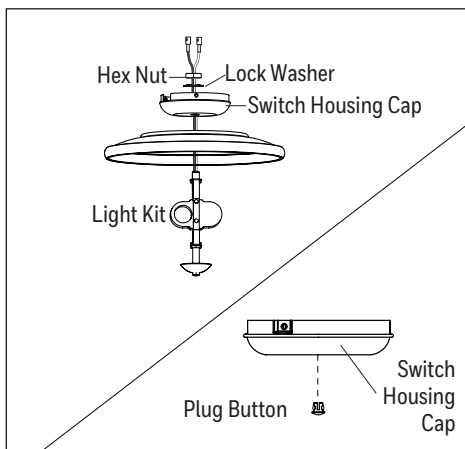


Figure 6.1

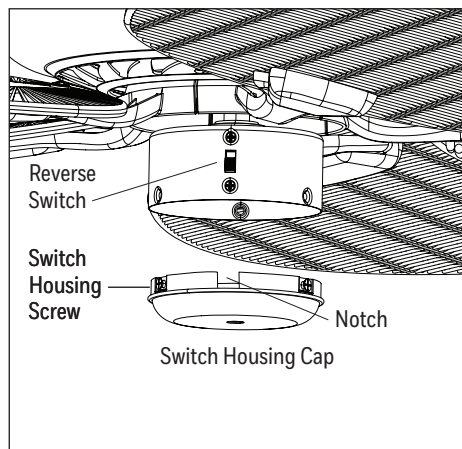


Figure 6.2

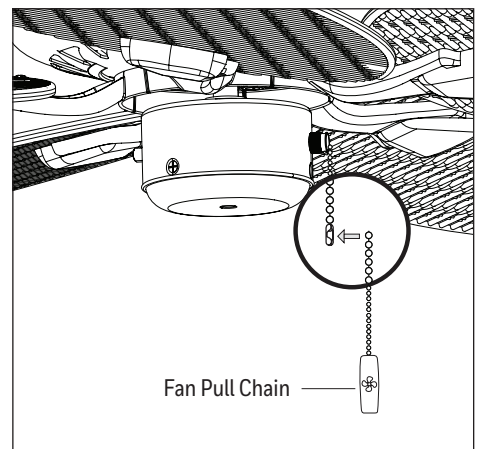


Figure 6.3

## OPERATING INSTRUCTIONS

1. The fan pull chain has four positions to control fan speed. One pull is high, two is medium, three is low and four turns the fan off. The light pull chain has two positions to control the light, on and off (Figure 7.1).
2. Use the reverse switch located on the switch housing to optimize your fan for seasonal performance. **In warmer weather**, push the reverse switch down which results in downward airflow creating a wind chill effect. **In cooler weather**, push the reverse switch up which results in upward airflow that will help move hot air of the ceiling (Figure 7.2).

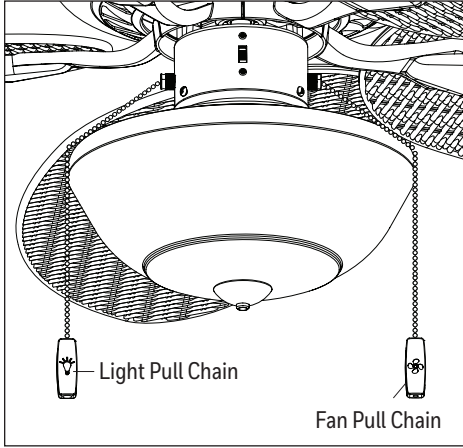


Figure 7.1

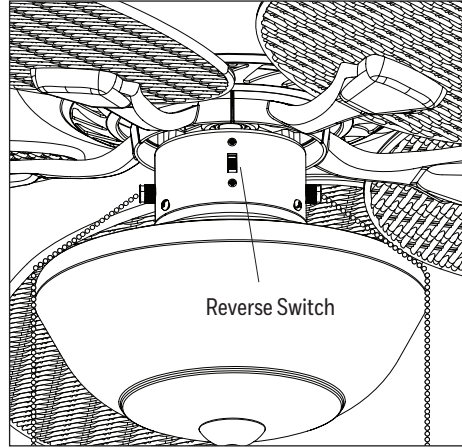


Figure 7.2

## TROUBLESHOOTING

If you experience any faults, please check the Troubleshooting section below. If a problem cannot be remedied or you are experiencing difficulty in installation, please contact Customer Service: 1-877-361-3883.

**Warning:** Shut off the power supply before you begin any maintenance task.

PROBLEM	CORRECTIVE ACTION
The fan does not move.	<ol style="list-style-type: none"> <li>1. Firmly push the reverse switch completely up or down.</li> <li>2. Make sure the wall switch is turned on.</li> <li>3. Turn the power on or check the fuse (breaker).</li> <li>4. Turn the power off and check all connections at the ceiling outlet box.</li> </ol>
The fan is noisy.	<ol style="list-style-type: none"> <li>1. Check and tighten all screws that hold the fan blades to the blade arms and the motor.</li> <li>2. Check for a cracked blade. If one blade is cracked, replace the full set of blades.</li> <li>3. Do not use a full range dimmer switch to control the fan speed.</li> <li>4. Ensure the outlet box is secured to the building structure.</li> <li>5. Ensure the mounting bracket is secured to the outlet box and that the screws are tight.</li> </ol>
The fan wobbles excessively.	<ol style="list-style-type: none"> <li>1. Check and tighten all screws that hold the fan blades to the blade arms and the blade arms to the motor.</li> <li>2. Switch one blade with a blade from the opposite side, or balance the fan using the blade balancing kit.</li> <li>3. Turn off the power. Loosen the canopy and verify that the mounting bracket is secure to the electrical outlet box. The bracket must be flush without movement against the outlet box. Verify the outlet box is secure.</li> <li>4. Use a longer downrod (sold separately) or move the fan to another location.</li> <li>5. Lift up the yoke cover and tighten the set screws on the yoke until secure.</li> </ol>
The fan operates correctly but the lights are not working.	<ol style="list-style-type: none"> <li>1. Ensure the single-pin connectors are properly secured.</li> <li>2. Turn the power off and check all connections at the ceiling outlet box.</li> </ol>

## LIMITED LIFETIME WARRANTY

Set forth below, the manufacturer, Hong Kong China Electric Appliance Company (HKC) warrants the fan motor for this ceiling fan to be free from defects in workmanship and material for the life of the product. Also, subject to the limitations below, HKC warrants all ceiling fan parts ("ceiling fan parts" excludes the motor and parts made in whole or in part with glass) to be free from defects in workmanship and material for a period of one year after the date of purchase by the original purchaser at retail.

All claims must be made by the original purchaser, whether such purchaser purchased the product through a store or contractor. Ceiling fan part defects must be reported within the first year from the date of purchase. Parts made in whole or in part with glass and the finishes of metal and other surfaces are not warranted.

Purchasers are responsible for all costs of removing and reinstalling the product. Any damage to any part caused by ordinary wear and tear, accident, misuse, or improper installation, is not covered by this warranty. HKC assumes no responsibility whatsoever for fan installation. Any service performed by a non-licensed electrician will render the warranty invalid.

HKC's sole responsibility shall be to repair or replace the motor, parts, or product within the terms stated above. HKC shall not be liable for any loss or damage of any kind, including any incidental or consequential damages resulting directly or indirectly, from any breach of warranty, express or implied, or any other failure of this product. Some states do not allow the exclusion or limitation of incidental or consequential damages so this limitation may not apply to you.

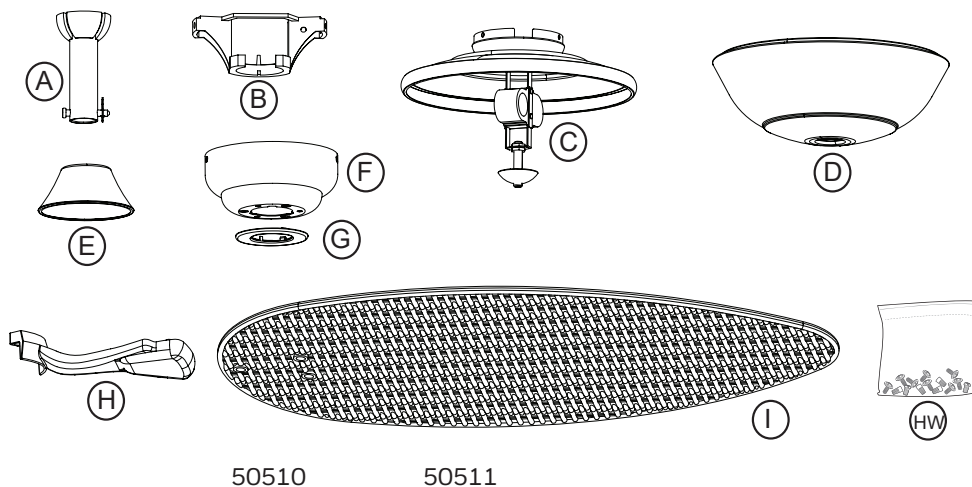
If the original purchaser ceases to own the fan, this warranty is voided.

Should the purchaser encounter a problem with your fan related to defects in workmanship or materials within the warranty period associated with the defective part, HKC agrees to replace the defective part without charge, or at its option, to replace the ceiling fan with a comparable or superior model.

HKC's warranties are limited to the written warranties set out in this HKC ceiling fan limited lifetime warranty. All other express and implied warranties, including, without limitation, the implied warranty of fitness for a particular purpose and the implied warranty of merchantability are disclaimed. Some states do not allow the disclaimer of implied warranties, so this disclaimer may not apply to you.

## REPLACEMENT PARTS LIST

For replacement parts, call our customer service department (877-361-3883). Monday-Thursday 8am - 6pm, Friday 8am - 5pm, Eastern Standard Time.



		50510	50511
A	Downrod	4A000007330	4A000003610
B	Mounting Bracket	4L000007100	4L000006470
C	Light Kit	4A000007050	4A000007060
D	Glass Bowl	4A164170000	4A164170000
E	Yoke Cover	4A000007340	4A000003620
F	Canopy	4A000007350	4A000007370
G	Canopy Cover	4A000007360	4A000007380
H	Blade Arm (x 5)	4A072340005	4A072340007
I	Blade (x 5)	4A084390004	4A084390001
HW	Hardware Bag	4A000007220	4A000007230

The Honeywell Trademark is used under license from Honeywell International Inc™.

Honeywell International Inc. makes no representations or warranties with respect to this product.

This product is manufactured for  
**Hong Kong China Electric Appliance, LTD.**  
 3350 Players Club Parkway, Suite 225  
 Memphis, TN 38125  
 1 (877) 361-3883

9305 • 031418