



**SafetyRailCompany**  
Fall Protection for Life and Compliance



# WARNING LINE SYSTEMS

VISUAL WARNING FOR HAZARDOUS AREAS



PROUDLY 100%  
MADE IN THE USA

# NEVER-RUST PERIMETER WARNING LINE SYSTEM

Our Never-Rust Perimeter Warning Line System answers the most fundamental question in guarding hazardous areas – how can you set up a quick visual warning line system that is both OSHA compliant and economical to install? Our Never-Rust Perimeter Warning Line System answers both questions but with multiple options that will make this an indispensable solution in your guarding arsenal. First the name. The Never-Rust Perimeter Warning Line System is a completely non-metal warning line solution. Painted metal systems all rust eventually which can stain the rooftop. With the Never-Rust Perimeter Warning Line System, the weighted base is made from 100% recycled rubber materials. This eco-friendly product weighs 30 lbs. and can be left outside indefinitely without damage to roof membranes.

The most economical choice is the **Never-Rust Temporary Warning Line System**. Lightweight and quick deployment makes this a great choice for setting up a visual warning around a known hazard. Simply set the high-impact polyethylene stanchion in place, drop the weighted rubber base over the top and string the warning flags. Quick setup and easy removal are benefits you will appreciate every time you use them. Stanchions and bases can be stacked and stored compactly away for the next use.

## USES:

- Roof Tops
- Crowd Control
- Construction Sites
- Parking Lots
- Manufacturing Facilities
- Office Buildings

## FEATURES:

- Non-skid Design
- Up to 25' Stanchion Spacing
- 30" x 14" Base Dimension
- Easy-grip Handles on Base
- Safety Orange Stanchions
- 39" Flag Height per OSHA
- Vinyl Flags Rated for OSHA available in 100' increments



# NEVER-RUST PERMANENT WARNING LINE SYSTEM

For longer more permanent guarding needs consider the **Never-Rust Permanent Warning Line System**. The permanent system is designed for guarding applications like roof perimeters, construction sites, parking garages or any area that needs a permanent yet portable solution.

The Never-Rust Permanent Warning Line System eliminates the orange stanchion and replaces it with an aluminum stanchion that is capable of supporting a variety of flagged line. Heavier flagged lines may require closer stanchion spacing to maintain prescribed OSHA line height. This durable system will stand up to the harshest elements for many years while maintaining it's Never-Rust reputation.

## FEATURES:

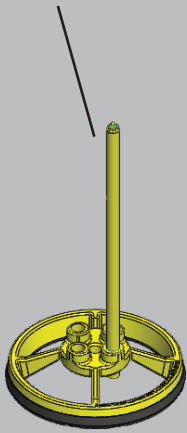
- Non-skid Design
- Up to 20' Stanchion Spacing
- 30" x 14" Base Dimension
- Easy-grip Handles on Base
- Aluminum Stanchions
- 39" Flag Height per OSHA



### EnduraLine Mobile Permanent Warning Line

Commonly used for permanent install applications 15' in from a roof edge or fall hazard per OSHA requirements. Often integrated with our SRC Mobile Railing System to create a complete enclosure on roofs.

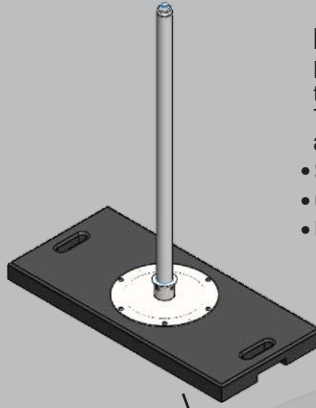
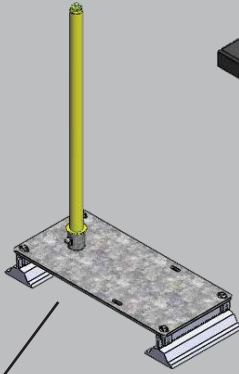
- 104 lb. base plate
- Yellow powder coated finish standard
- Other RAL colors available
- Galvanized finish available
- Use with our permanent warning lines



### EnduraLine Standing Seam Permanent Warning Line

EnduraLine for standing seam roofs is installed 15' or more from the roof edge per OSHA requirements. Often integrated with our Accu-Fit Traditional or Architectural Standing Seam Railing Systems to create a complete enclosure on roofs.

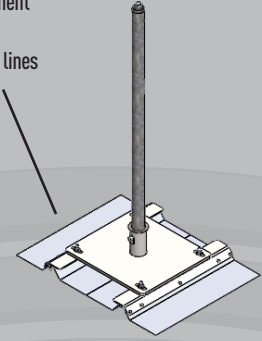
- Non-piercing, clamp-on attachment to standing seam ribs
- Galvanized finish standard
- Use with our permanent warning lines



### EnduraLine R-Panel or Corrugated Permanent Warning Line

EnduraLine for R-Panel or Corrugated metal roofs install 15' or more from the roof edge per OSHA requirements. Often integrated with our Accu-Fit Traditional or Architectural R-Panel or Corrugated Railing Systems to create a complete enclosure on roofs.

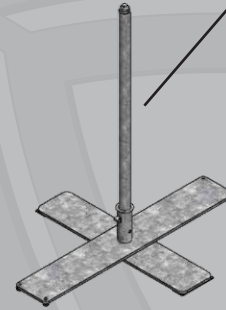
- Self-sealing screw down attachment
- Galvanized finish standard
- Use with our permanent warning lines



### Never-Rust Permanent or Temporary Warning Line

The Never-Rust warning line system features a 100% recycled rubber base.

- Available with OSHA compliant high visibility orange delineator stanchion for temporary use
- Available with aluminum stanchion for permanent use
- Use with either 100' of our light-duty vinyl flagging or our permanent rated heavy-duty plastic coated galvanized cable with aluminum pennants.



### X-Stanchion Warning Line System

For quick setup and durable performance you can't beat the X-Stanchion Warning Line System. This all galvanized system will stand up to the harshest elements for years to come. The bottom base portion folds up and the stanchion lifts out for easy transport. System can utilize vinyl flag sets or plastic-coated galvanized cable with aluminum pennants both available in 100' lengths.

## ENDURALINE MOBILE - PERMANENT WARNING LINE SYSTEM

EnduraLine Mobile is our most robust warning line system for permanent demarcation of hazardous areas. EnduraLine Mobile is a non-penetrating warning line system designed to integrate perfectly with our SRC 360 Mobile Rail system. The minimum OSHA requirement for warning lines is that they be placed 15' feet or more away from a leading edge. Any closer to the leading edge and fall protection railings or other fall protection devices must be provided. EnduraLine Mobile combined with our SRC 360 Mobile Rail Systems answers both requirements and provides a complete, comprehensive OSHA compliant perimeter guarding solution.

When personnel need access to ladders or equipment within 15' of the leading edge install the SRC 360 Mobile Rail system from the 15' mark outward and around the area that needs access. Attach the EnduraLine Mobile Permanent Warning Line System to the SRC 360 Mobile Rail at the 15' mark and continue along the perimeter to the next area that needs access. This configuration offers 100% perimeter protection designed to keep workers away from areas they shouldn't be and protected in areas where they need to be.

### FEATURES:

- 104 lb. base plate
- 25' stanchion spacing
- Powder Coat Yellow or Galvanized Finish
- 39" Flag Height per OSHA
- Plastic-coated Galvanized Cable with Aluminum Pennants available in 100' increments



## ENDURALINE CORRUGATED - PERMANENT WARNING LINE SYSTEM

EnduraLine Corrugated Permanent Warning Line Systems have all the same great features of the EnduraLine Mobile Warning Line System except that now EnduraLine Corrugated can be installed on corrugated metal roof panels. This mechanically attached system is screwed down to the metal roof panel with self-sealing screws. Once thought impossible to guard, corrugated roofs can now be brought into full OSHA compliance with a combination of EnduraLine Corrugated Warning Lines and Accu-Fit Railing Systems for Corrugated decks.

### FEATURES:

- Screw-down Base Plate w/Self-Sealing Hardware
- 30' Stanchion Spacing
- Galvanized Finish Standard
- 39" Flag Height per OSHA
- Plastic-coated Galvanized Cable with Aluminum Pennants available in 100' increments



## ENDURALINE STANDING SEAM - PERMANENT WARNING LINE SYSTEM

EnduraLine Standing Seam Permanent Warning Line Systems are designed for standing seam metal roof panels. This mechanically attached, non-piercing system is compression-fit to the vertical seams of standing seam metal roofs without puncturing the metal panel itself. Standing Seam roofs can now be brought into full OSHA compliance with a combination of EnduraLine Standing Seam Warning Lines and Accu-Fit Railing Systems for Standing Seam decks.

### FEATURES:

- Clamp-on Base Plate with Non-Piercing Attachment
- 30' Stanchion Spacing
- Galvanized Finish Standard
- 39" Flag Height per OSHA
- Plastic-coated Galvanized Cable with Aluminum Pennants available in 100' increments



## ENDURALINE R-PANEL - PERMANENT WARNING LINE SYSTEM

EnduraLine R-Panel Permanent Warning Line Systems are designed for R-Panel metal roof panels. This mechanically attached system is screwed down to the metal roof panel with self-sealing screws. R-panel roofs can now be brought into full OSHA compliance with a combination of EnduraLine R-Panel Warning Lines and Accu-Fit Railing Systems for R-Panel decks.

### FEATURES:

- Screw-down Base Plate w/Self-Sealing Hardware
- 30' Stanchion Spacing
- Galvanized Finish Standard
- 39" Flag Height per OSHA
- Plastic-coated Galvanized Cable with Aluminum Pennants available in 100' increments

