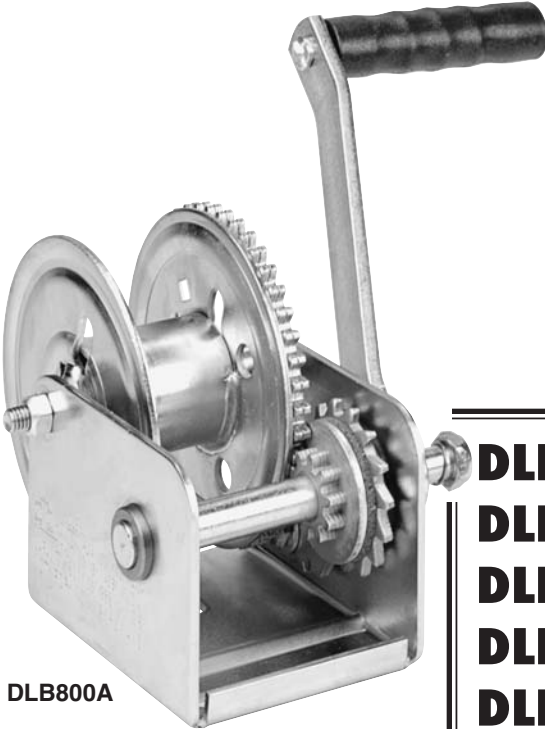




# BRAKE WINCHES



DLB800A

**DLB350A**  
**DLB350AG**  
**DLB800A**  
**DLB800AG**  
**DLB1200A**  
**DLB1200AG**  
**DLB1500A**  
**DLB1500AG**  
**DLB2000AG**  
**DLB2500A**

MANUFACTURED BY



**DUTTON-LAINSON**  
**COMPANY** *SINCE 1886*

MADE IN U.S.A.

451 West 2nd St. • Hastings, NE 68902-0729 • TEL: 402-462-4141 • FAX: 402-460-4612  
Web Site [www.dutton-lainson.com](http://www.dutton-lainson.com)

Dwg. No. 206306K 1/08

**ISO 9001: 2000 REGISTERED Q.M.S.**

**⚠ WARNING** READ INSTRUCTIONS CAREFULLY BEFORE ATTEMPTING TO INSTALL, OPERATE OR SERVICE THIS WINCH. FAILURE TO COMPLY WITH INSTRUCTIONS COULD RESULT IN SERIOUS OR FATAL INJURY. RETAIN THESE INSTRUCTIONS FOR FUTURE REFERENCE.



## IMPORTANT SAFETY INFORMATION

- This brake winch is built for multi-purpose hauling and lifting operations. It is not to be used as a hoist for lifting, supporting or transporting people, or for loads over areas where people could be present.
- Respect this winch. High forces are created when using a winch, creating potential safety hazards. It should be operated and maintained in accordance with instructions. Never allow children or anyone who is not familiar with the operation of the winch to use it. A winch accident could result in personal injury.
- Check winch for proper operation on each use. Do not use if damaged. Seek immediate repairs.
- Never exceed rated capacity. Excess load may cause premature failure and could result in serious personal injury. This winch is rated on first layer of cable on the hub. Using more layers of cable increases the load on the winch.
- Never apply load on winch with cable fully extended. Keep at least three full turns of cable on the reel.
- Secure load properly. When winching operation is complete, do not depend on winch to support load.
- Operate with hand power only. This winch should not be operated with a motor of any kind. If the winch cannot be cranked easily with one hand, it is probably over-loaded.
- If winch will be used in freezing, icy conditions, apply silicone spray to ratchet pawl and spacer items V, W, X or Y. Do not spray other brake mechanism parts.

**ASSEMBLY** – Thread the handle onto the winch drive shaft and be certain that a clicking noise is produced when the handle is turned clockwise. Install the spring and locknut (Items E and G) on the end of the drive shaft as shown on parts drawing. These parts may appear to serve no function, but they provide several important fail-safe features, and should not be altered or removed.

## WINCH MOUNTING AND CABLE ATTACHMENT

– For maximum strength and safety, this winch should be mounted with three 3/8" bolts (M10), washers and lock washers. (See parts drawing). Using fewer bolts or alternate locations will result in damage to the winch base and the winch may malfunction.

Attach cable or rope by either method shown in sketch.

**OPERATING INSTRUCTIONS** – Wind cable on winch reel by turning winch handle in clockwise direction. This should produce a loud, sharp, clicking noise. The load will remain in position when the handle is released. Wind cable off the winch reel by turning winch handle counterclockwise (no noise will be produced). The load will remain in position when the handle is released, but for extra security it is recommended that the handle be turned clockwise until at least two clicks are heard. This will add extra tightness to the brake mechanism. Always satisfy yourself that the winch is holding the load before releasing the winch handle.

**⚠ IMPORTANT:** Sufficient load must be applied to the cable to overcome internal resistance and operate the brake properly, otherwise turning the crank handle counterclockwise will only remove the handle from the shaft – the reel will not turn. The minimum operating load

requirement is 50 lb (23 kg) for Models DLB350A, DLB350AG, DLB800A, DLB800AG, DLB1200A and DLB1200AG, 75 lb (34 kg) for DLB1500A and DLB1500AG, 175 lb (80 kg) for DLB2000AG and DLB2500A.

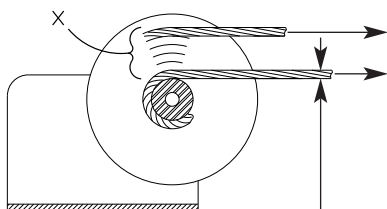
Models DLB805A, DLB1205A, & DLB1505A, are equipped with a lockout lever for the purpose of 'freewheeling' cable out when there is no load on the winch. To 'freewheel' cable out, simply turn the handle counterclockwise until lockout lever can be engaged behind handle hub. In this condition cable can be easily pulled from the winch drum.

**⚠ WARNING:** Never put winch in freewheel mode if any potential for a load on the cable exists. Engaging the lockout lever keeps the winch from stopping in the event that a load is accidentally applied.

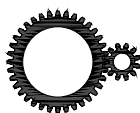
**WINCH MAINTENANCE** – In order to insure maximum performance, a periodic inspection for any necessary preventive maintenance should be made. Check at least once annually and more frequently when the winch is exposed to an environment which is particularly dirty or wet. For continued smooth performance and increased life, occasionally grease gears, reel shaft and handle threads. An occasional drop of oil on the drive

shaft bearings is also recommended. If winch will be used in freezing, icy conditions, apply silicone spray to ratchet pawl and spacer items V, W, X or Y. **Note: Do not oil or grease brake mechanism items H and J.**

Keep winch in good working order. Damaged or severely-worn parts create unnecessary dangers and could result in personal injury or property damage.



<b>DLB350A</b> <b>DLB350AG</b>	<b>3.2:1</b>
<b>DLB800A</b> <b>DLB800AG</b>	<b>4.4:1</b>
<b>DLB1200A</b> <b>DLB1200AG</b>	<b>5.4:1</b>
<b>DLB1500A</b> <b>DLB1500AG</b>	<b>5.4:1</b>
<b>DLB2000AG</b> <b>DLB2500A</b>	<b>17.3:1</b>



**ENGLISH – EC DECLARATION OF CONFORMITY** – Dutton-Lainson Company, Hastings, NE 68902-0729 U.S.A. manufactures and declares that this winch is in conformity with the essential health and safety requirements specified in The Supply of Machinery (Safety) Regulations 1992 and the provisions of The Machinery Directive (89/392/EEC). This declaration does not apply to other machinery using this winch.

**DANSK – EØF OVERENSSTEMMELSESERKLÆRING** – Dutton-Lainson Company, Hastings, NE 68902-0729 U.S.A. fremstiller og erklærer, at dette skraldespil er i overensstemmelse med de væsentlige sundheds- og sikkerhedsregler som er specificeret i The Supply of Machinery, Sikkerhedsregulativet af 1992, og Maskineldirektiv (89/392/EØF). Denne erklæring gælder ikke andet maskineri, der benytter skraldespillet.

**SUOMI – EY:N VAATIMUSTENMUKAISUUSVAKUUTUS** – Dutton-Lainson Company, osoite Hastings, NE 68902-0729, USA, vakuuttaa tämän vintturin valmistajana, että vintturin noudattava vuoden 1992 koneidontimitusäänönnösten (Supply of Machinery [Safety] Regulations) olennaisia työturveyks- ja turvallisuusvaatimuksia sekä konedirektiivin (89/392/ETY) määräyksiä. Tämä vakuutus ei koske muita laitteita, joissa vintturia käytetään.

**NEDERLANDS – EG VERKLARING VAN OVEREENSTEMMING** – Dutton-Lainson Company, Hastings, NE 68902-0729 VS, fabrikant, verklaart dat deze lier voldoet aan de fundamentele gezondheids- en veiligheidszaken zoals vastgelegd in de Machineryrichtlijn (89/392/EEG) en de nationale wetgeving ter uitvoering van deze richtlijn. Deze verklaring is niet van toepassing op andere machines die gebruik maken van deze lier.

**FRANÇAIS – DÉCLARATION DE CONFORMITÉ CE** – Dutton-Lainson Company, Hastings, NE 68902-0729 U.S.A. construit ce treuil et déclare qu'il est conforme aux exigences de sécurité et de sûreté essentielles spécifiées dans «The Supply of Machinery (Safety) Regulations 1992» (règlements de sécurité relatifs à la fourniture de machinerie) et dans «The Machinery Directive» (directive relative à la machinerie) (89/392/CEE). Cette déclaration ne s'applique pas aux autres machines utilisant ce treuil.

**DEUTSCH – EU-KONFORMITÄTSEKTLÄRUNG** – Dutton-Lainson Company, Hastings, NE 68902-0729 USA, der Hersteller der Winde, erklärt, daß das Produkt mit den grundlegenden Gesundheits- und Sicherheitsanforderungen übereinstimmt, die in den Bestimmungen zum Inverkehrbringen von Maschinen (Sicherheit) 1992 und den Bestimmungen der Maschinenrichtlinie (89/392/EWG) spezifiziert sind. Diese Erklärung gilt nicht für andere Maschinen, die diese Winde verwenden.

	<b>X</b>	
<b>DLB350A, DLB350AG</b>	<b>10</b>	<b>110 lb/50kg</b>
	<b>1</b>	<b>350 lb/160kg</b>
<b>DLB800A, DLB800AG</b>	<b>9</b>	<b>330 lb/150kg</b>
	<b>1</b>	<b>800 lb/360kg</b>
<b>DLB1200A, DLB1200AG</b>	<b>8</b>	<b>551 lb/250kg</b>
	<b>1</b>	<b>1200 lb/545kg</b>
<b>DLB1500A, DLB1500AG</b>	<b>6</b>	<b>728 lb/330kg</b>
	<b>1</b>	<b>1500 lb/680kg</b>
<b>DLB2000AG</b>	<b>5</b>	<b>959 lb/435kg</b>
	<b>1</b>	<b>2000 lb/905kg</b>
<b>DLB2500A</b>	<b>5</b>	<b>1308 lb/593kg</b>
	<b>1</b>	<b>2500 lb/1134kg</b>

<b>DLB350A</b>	<b>1/8" (2000 lb) x 84'</b>
<b>DLB350AG</b>	<b>3mm (590kg) x 22.5m</b>
<b>DLB800A</b>	<b>3/16" (4200 lb) x 68'</b>
<b>DLB800AG</b>	<b>4mm (1080kg) x 23.0m</b>
<b>DLB1200A</b>	<b>7/32" (5600 lb) x 69'</b>
<b>DLB1200AG</b>	<b>5mm (1640kg) x 19.7m</b>
<b>DLB1500A</b>	<b>1/4" (7000 lb) x 60'</b>
<b>DLB1500AG</b>	<b>6mm (2350kg) x 15.1m</b>
<b>DLB2000AG</b>	<b>7mm (3200kg) x 8.9m</b>
<b>DLB2500A</b>	<b>5/16" (9800 lb) x 34'</b>

**ITALIANO – DICHIARAZIONE DI CONFORMITÀ ALLE DIRETTIVE DELLA COMUNITÀ EUROPEA** – La Dutton-Lainson Company, con sede a Hastings, NE 68902-0729 USA, produce verricelli e dichiara che questo verricello è conforme ai requisiti essenziali di sicurezza e tutela della salute specificati nella normativa sulla sicurezza delle macchine emessa nel 1992 e nella Direttiva Macchine 89/392/CEE. Questa dichiarazione non è valida per altre macchine che utilizzino questo verricello.

**NORSK – SAMSVARERKLÆRING FOR EU** – Dutton-Lainson Company, Hastings, NE 68902-0729, USA, fremstiller og erklærer at denne vinsjen er i samsvar med grunnleggende helse- og sikkerhetskrav spesifisert i for sikkerhetsforskriftene i det amerikanske regelverket for maskinlevering av 1992 [The Supply of Machinery (Safety) Regulations], samt bestemmelsene i det amerikanske maskindirektivet for EØS (89/392/EEC). Denne erklæringen gjelder ikke for andre maskiner som bruker denne vinsjen.

**PORTUGUÊS – DECLARAÇÃO DE CONFORMIDADE COM A CE** – A empresa Dutton-Lainson Company, Hastings, NE 68902-0729, nos E.U.A., fabrica este guincho e declara que este está em conformidade com os requisitos essenciais de saúde e segurança, tal como especificados nos Regulamentos (de Segurança) para o Fornecimento de Máquinas de 1992 e como previsto na Directiva relativa a Máquinas (89/392/CEE). Esta declaração não se aplica a outras máquinas que utilizem este guincho.

**ESPAÑOL – DECLARACION DE HOMOLOGACION PARA CE** – Dutton-Lainson Company, de Hastings, NE 68902-0729, EE.UU., fabrica y declara que este cabrestante satisface los requisitos esenciales de salubridad y seguridad especificados en el Reglamento (de Seguridad) para Suministro de Maquinarias de 1992 y en las disposiciones de la Directriz de Maquinarias (89/392/EEC). Esta declaración no incluye los demás equipos que utilicen este cabrestante.

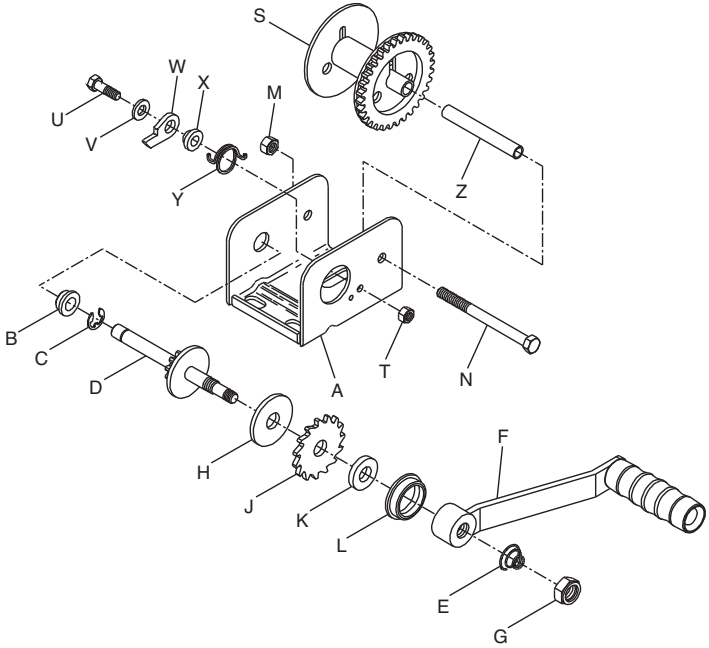
**SVENSKA – FÖRSÄKRAN OM ÖVERENSSTÄMMELSE** – Dutton-Lainson Company, Hastings, Nebraska 68902-0729 U.S.A. tillverkar och försäkrar att denna vinsch överensstämmer med de väsentliga hälso- och säkerhetskrav som specificerats i Maskineriförordningar (säkerhet) 1992 och bestämmelserna i Maskineridirektiv (89/392/EEC). Denna försäkran gäller inte andra maskiner som använder denna vinsch.

**ΕΛΛΗΝΙΚΑ – ΔΗΛΩΣΗ ΣΥΜΜΟΡΦΩΣΗΣ ΕΟΚ**  
H Dutton-Lainson Company, Hastings, NE 68902-0729, U.S.A δηλώνει ότι κατασκευάζει το παρόν βαρούλκο σε συμμόρφωση με τις βασικές απαιτήσεις υγιεινής και ασφαλείας που προβλέπονται από τους Κανονισμούς Διάθεσης Μηχανημάτων (Ασφαλείας) 1992 και τις διατάξεις της Κοινοτικής Οδηγίας για Μηχανήματα (89/392/ΕΟΚ). Η δήλωση αυτή δεν ισχύει για άλλα μηχανήματα που χρησιμοποιούν το παρόν βαρούλκο.

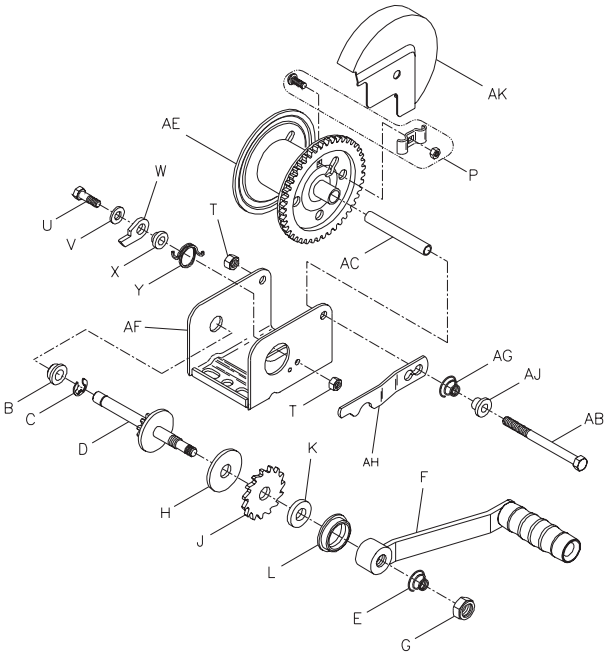
*Ron Hease*



## DLB350A & DLB350AG Winch

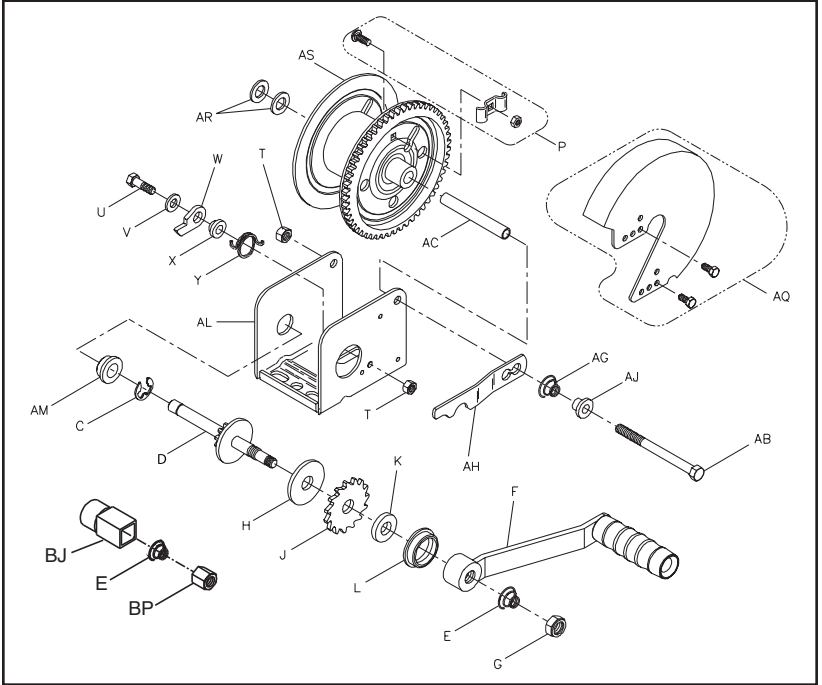


## DLB800A & DLB800AG Winch

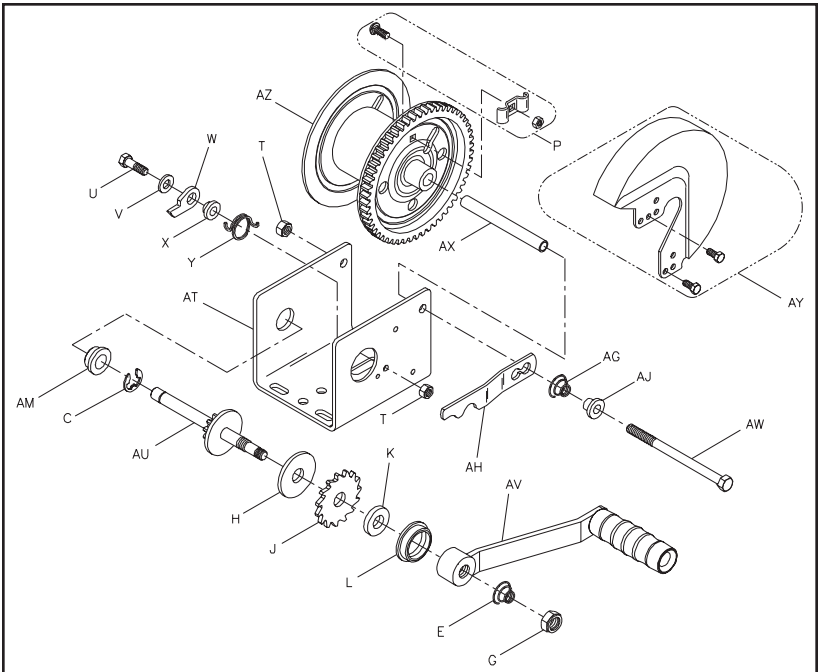




## DLB1200A & DLB1200AG Winch



## DLB1500A & DLB1500AG Winch



# PARTS LIST

Ref	Description	Part No.
A	Base	404900*
A	Base – DLB 350AG	404945*
B	Bushing	204012
C	“E” Ring	205116
D	Drive Shaft	306061
E	Spring	204364
F	Handle – 7”	5703061
	Handle – 9-3/8”	5703103
G	Nut	205033
H	Pressure Plate	204362
J	Ratchet Wheel	404164
K	Pressure Washer	404163
L	Bushing	206328
M	Nut	205316
N	Bolt	205332
P	Rope Clamp Kit	304221
S	Reel	306075*
T	Locknut	204803
U	Bolt	205167
V	Flat Washer	205055
W	Pawl	404409
	Pawl – “G” Series	404190
X	Spacer	404166
	Spacer – “G” Series	404191
Y	Spring	204363
	Spring – “G” Series	204460
Z	Reel Spacer	207183
AB	Bolt	203161
AC	Reel Spacer	204807
AE	Reel	306062*
AF	Base	404893*
	Base – DLB 800AG	404895*
AG	Spring (optional)	204364

Ref	Description	Part No.
AH	Lockout Lever (optional)	404579
AJ	Spacer (optional)	404166
AK	Gear Cover (optional)	
	Painted Bronze	5240346
	Plated	5240361
AL	Base	404896*
	Base – DLB 1200AG	404897*
AM	Bushing	204009
AQ	Gear Cover (optional)	
	Painted Bronze	5240122
	Plated	5240221
AR	Spacer Washer	204360
AS	Reel	304754*
AS	Reel – 1-7/8” (optional)	304768*
AT	Base	404891*
	Base – DLB 1500AG	404892*
AU	Drive Shaft	304760
AV	Handle – 9-3/8”	5703103
	Handle – 12”	5703111
AX	Reel Spacer	204808
AY	Gear Cover (optional)	
	Painted Bronze	5240387
	Plated	5240403
AZ	Reel	304755*
BA	Base – DLB2500A	406047*
	Base – DLB 2000AG	404899*
BB	Spacer	404434
BC	Bolt	205006
BD	Flat Washer	205139
BE	Intermed. Drive Shaft	306035
BF	Nut	205014
BG	Bolt	204804
BH	Reel	304756*
BJ	Drive Hub (Optional)	304562
BL	Handle Brk. Assy (Opt)	304795
BM	Handle (Optional)	304638
BN	Handle Hub (Optional)	304630
BP	Slotted Nut (Optional)	404970
BQ	“E” Ring	206162
BR	Bushing	206163
BS	Bolt	205335

To order replacement parts contact:

## Dutton-Lainson Company

www.dlco.com

Tel: 800-569-6577

Fax: 402-460-4612

e-mail: DLsales@dutton-lainson.com

## In Europe Contact:

**Aqua-Marine International Ltd.**

8 Flanders Parks

Hedge End, Southampton

Hants, England SO30 2FZ

Tel: +44 (0) 1489-776050

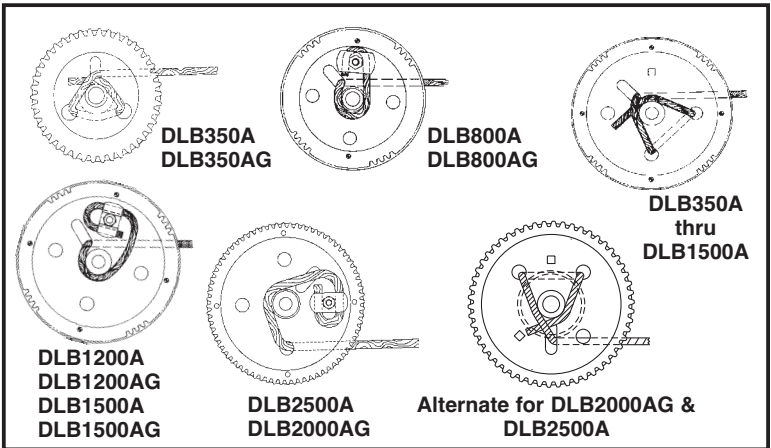
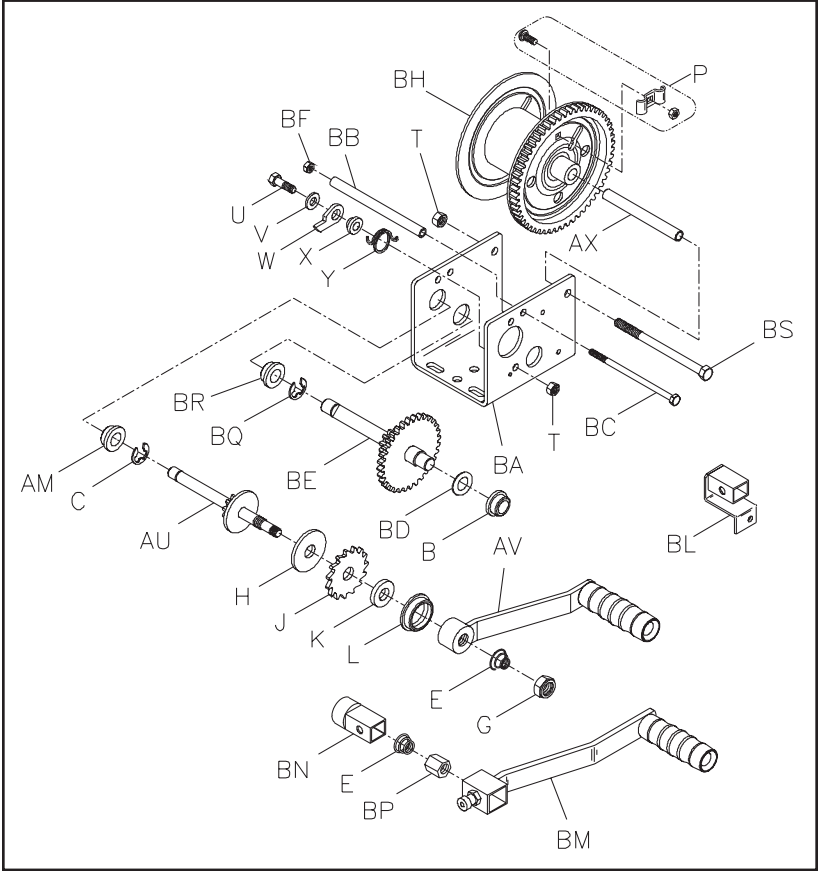
Fax: +44 (0) 1489-776055

e-mail: sales@aqua-marineint.co.uk

\*Specify Color When Ordering



# DLB2000AG & DLB2500A Winch

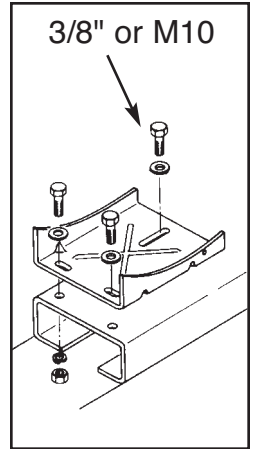
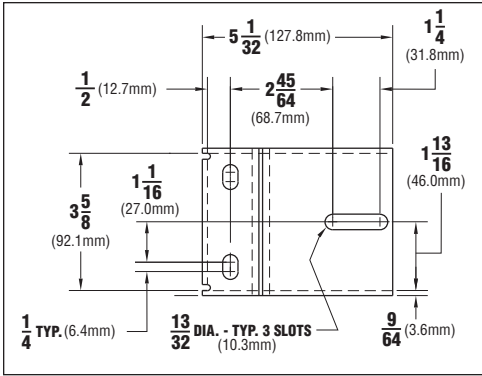


Printed by:



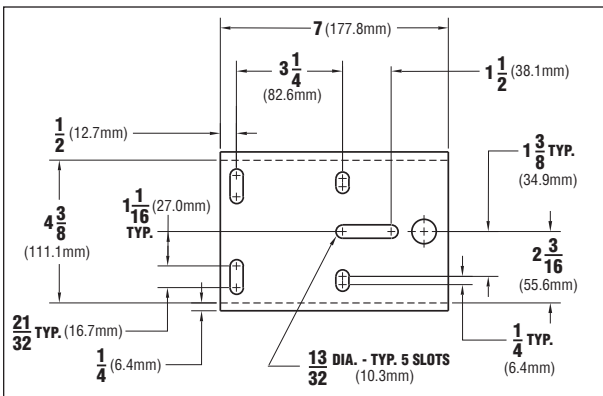
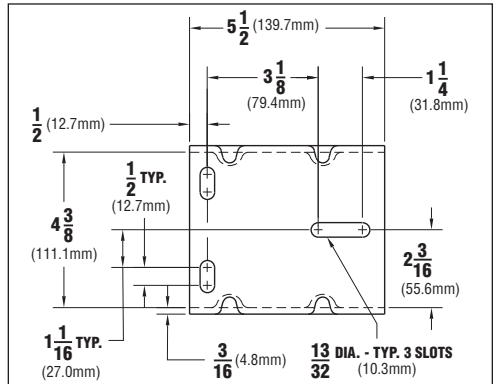
Hastings, NE • Grand Island, NE • Kearney, NE

©2008



**DLB350A, DLB350AG,  
DLB800A, DLB800AG,  
DLB1200A, DLB1200AG**

**DLB1500A  
DLB1500AG**



**DLB2000AG  
DLB2500A**

-  **WARNING** Component parts should not be interchanged with the component parts of any other Dutton-Lainson model or other manufacturer's winches.
-  **ADVARSEL:** Disse komponentdele må ikke blive udskiftet med komponentdele, der hører til andre modeller fra Dutton-Lainson Company eller til spil af andre fabrikater.
-  **VAROITUS:** Tämän mallin ja muiden Dutton-Lainson Companyn tai muiden valmistajien vintturien osia ei saa vaihtaa keskenään.
-  **WAARSCHUWING:** Deze onderdelen mogen niet verwisseld worden met de onderdelen van andere liermodellen van Dutton-Lainson Company of van lieren van andere fabrikanten.
-  **MISE EN GARDE:** Ces composants ne doivent pas être utilisés de manière interchangeable avec les composants d'aucun autre modèle de Dutton-Lainson Company ou avec les treuils d'un autre fabricant.
-  **ACHTUNG:** Die Komponenten dürfen nicht gegen andere Komponenten anderer Modelle der Dutton-Lainson Company oder der Winden anderer Hersteller ausgetauscht werden.
-  **ATTENZIONE:** Questi componenti non devono essere utilizzati in modo intercambiabile con i componenti di qualsiasi altro modello della Dutton-Lainson Company o con i verricelli di un altro fabbricante.
-  **ADVARSEL:** Disse komponentdelene skal ikke byttes om med komponentdeler for noen annen vinsj verken fra Dutton-Lainson Company eller noen annen produsent.
-  **PRECAUÇÃO:** Esses componentes não devem ser intercambiados com componentes de nenhum outro modelo da Dutton-Lainson Company nem de guinchos de outros fabricantes.
-  **ADVERTENCIA:** No se debe intercambiar estas piezas con las de algún otro modelo de cabrestante de la Dutton-Lainson Company o de otro fabricante.
-  **VARNING:** Byt inte ut komponentdelarna mot komponentdelar från andra vinschar tillverkade av Dutton-Lainson Company eller från andra tillverkares vinschar (eller tvärtom).
-  **ΠΡΟΕΙΔΟΠΟΙΗΣΗ** Αυτά τα συνθετικά μέρη να μην αντικατασταθούν με συνθετικά μέρη άλλου μοντέλου της εταιρίας Δυττον-Λαινσον ή βαρούλκα άλλου εργοστασίου.

---

**ENGLISH**-To obtain a copy of the warranty in English, send a self-addressed envelope to: Dutton-Lainson Company; P.O. Box 729; Hastings NE 68902-0729; U.S.A.

**DANSK**-Man kan få garantibeviset på dansk ved at sende en svarkuvert til: Dutton-Lainson Company, P.O. Box 729, Hastings NE 68902-0729, USA.

**SUOMI**-Takuutodistuksesta saa suomenkielisen kopion lähettämällä riittävällä postimaksulla ja vastaanottajan osoitteella varustetun kirjekuoren osoitteeseen Dutton-Lainson Company, P.O. Box 729, Hastings NE 68902-0729, USA.

**NEDERLANDS**-Voor een exemplaar van de garantie in het Nederlands dient u een aan u zelf geadresseerde enveloppe te zenden naar: Dutton-Lainson Company; P.O. Box 729; Hastings NE 68902-0729; U.S.A.

**FRANÇAIS**-Pour obtenir une copie de la garantie en français, envoyer une enveloppe à votre nom et adresse à : Dutton-Lainson Company; P.O. Box 729; Hastings NE 68902-0729; U.S.A.

**DEUTSCH**-Wenn Sie eine deutsche Kopie der Garantibestimmungen erhalten möchten, senden Sie bitte einen adressierten Rückumschlag an: Dutton-Lainson Company; P.O.Box 729; Hastings NE 68902-0729; USA

**ITALIANO**-Per ricevere una copia della garanzia in italiano, inviare una busta riportante il proprio indirizzo a: Dutton-Lainson Company, P.O. Box 729, Hastings NE 68902-0729 USA.

**NORSK**-En kopi av denne garantien på norsk fås ved å sende en konvolutt med eget navn og adresse, til Dutton-Lainson Company, P.O. Box 729, Hastings NE 68902-0729, USA

**PORTUGUÊS**-Para obter uma cópia da garantia em português, envie um envelope com a sua morada para: Dutton-Lainson; P. O. Box 729; Hastings NE 68902-0729; E.U.A.

**ESPAÑOL**-Para obtener una copia de la garantía en español, envíe un sobre con su dirección impresa a: Dutton-Lainson Company, P.O. Box 729; Hastings NE 68902-0729 EE.UU.

**SVENSKA**-För att erhålla ett exemplar av garantin på svenska skicka ett adresserat kuvert till: Dutton-Lainson Company, P.O.Box 729, Hastings NE 68902-0729 U.S.A.

**ΕΛΛΗΝΙΚΑ**-Για να λάβετε ένα αντίγραφο της εγγύησης στα Ελληνικά, στείλτε ένα φάκελο εσωκλείοντας τα ταχυδρομικά τέλη αποστολής στην εξής διεύθυνση: Dutton-Lainson Company, P.O.Box 729, Hastings NE 68902-0729 U.S.A..