

C SERIES

Ceiling Exhaust Fans



The C Series exhausts air efficiently. Made of corrosion resistant galvanized steel for long life and durability.

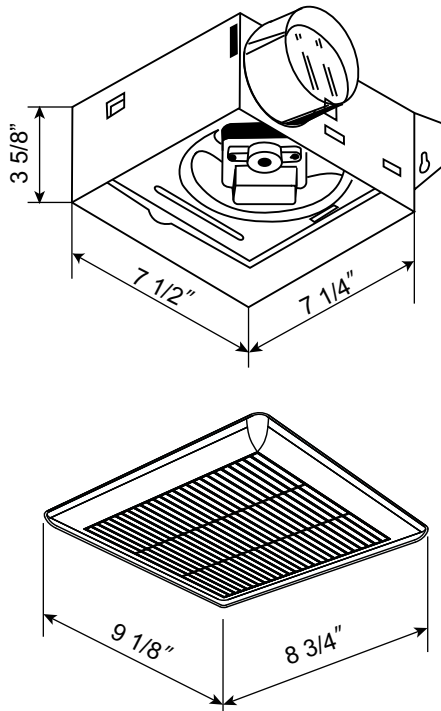
FEATURES

- Easy to install with torsion mounting - no tools required!
- Housing made of rugged 26 GA galvanized steel with built in mounting brackets.
- Detachable 3" poly collar.
- Permanently lubricated 120V motor with overload disconnect.
- ETL and cETLus listed for tub and shower when connected to a GFCI.
- Premium low profile poly grille.
- Duct to a roof vent or wall cap using a 3" round pipe.
- Removable blower assembly with a centrifugal blower wheel and permanently lubricated motor designed for continuous operation.
- Can be ceiling or wall mounted.

PERFORMANCE SPECIFICATIONS

Model	Description	Static Pressure (Inches w.g.)	Air Volume (CFM)	Noise Level (Sones)	Watts	Power Rating (V/Hz)	Duct Diameter	Packaging
C50	Ceiling Exhaust Fan	0.1	50	4.8	45	120/60	3"	Individual
CONTRACTOR PACKS								
C-SH	Housing							Pack of 6
C50-SM	Motor/Blade/Grille							Pack of 6

DIMENSIONS



FAN CURVES

