

# CP SERIES

## Ultra Quiet, High Performance Exhaust Fans



Shown with optional LED light kit



Canarm's CP series fans are ultra quiet and come complete with efficient and long lasting capacitor start motor.

### FEATURES

- Ultra quiet operation..
- Plug in permanently lubricated motor engineering for continuous operation.
- Motor comes with a built in overload disconnect for safety and long life.
- Holds an ETL evaluation and conforms to UL and cUL safety standards.
- Rugged 26 GA galvanized steel housing.
- Detachable 4" polymeric collar which includes a light weight built-in back draft damper.
- Elegant yet simple, low profile grille.

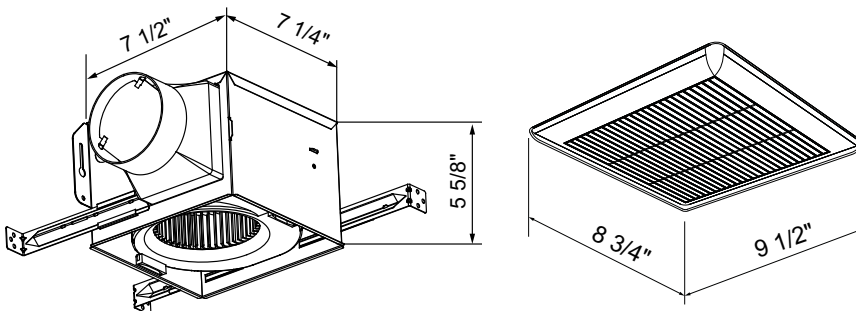
### PERFORMANCE SPECIFICATIONS

MODEL	STATIC PRESSURE (IN W.G.)	CFM	SONES	WATTS	POWER (V/HZ)	DUCT DIAMETER
CP50	0.1	50	0.4	17	120/60	4"
	0.25	42	N/A			
CP80	0.1	80	1.0	22	120/60	4"
	0.25	72	N/A			
CP80LED (with LED light)	0.1	80	1.0	22	120/60	4"
	0.25	72	N/A			

### ACCESSORIES

- LED light kit
- Radiation damper

### DIMENSIONS



### FAN CURVES

