

KLUTCH®

700Lb. All-Terrain Utility Cart with 8in. big wheels

Owner's Manual



⚠ WARNING: Read carefully and understand all ASSEMBLY AND OPERATION INSTRUCTIONS before operating. Failure to follow the safety rules and other basic safety precautions may result in serious personal injury.

Item# 6180090

READ & SAVE THESE INSTRUCTIONS

Thank you very much for choosing a Klutch product!

For future reference, please complete the owner's record below:

Serial Number/Lot Date Code (if applicable): _____

Purchase Date: _____

Save the receipt, warranty, and this manual. It is important that you read the entire manual to become familiar with this product before you begin using it.

This product is designed for certain applications only. Northern Tool & Equipment is not responsible for issues arising from modification or improper use of this product such as an application for which it was not designed. We strongly recommend that this product not be modified and/or used for any application other than that for which it was designed.

For technical questions, please call **1-800-222-5381**.

Intended Use

It can be used to transport and store cargo and tools. Two shelves and ergonomic handles provide more storage space and comfortable grip while pushing. The 8in. all-terrain casters help smoother movement. The High-impact plastic material is easy to clean and maintain. It is practical in daily home use, workshops, warehouses, garage, etc.

Packaging Contents

- Rigid Casters Box(1)
- Swivel Casters Box(1)
- Shelf(2)
- Handle(1)
- L Post(2)
- R Post(2)
- Standard parts bag(1)
- Manual(1)

Important Safety Information

WARNING

- Read and understand all instructions. Failure to follow all instructions may result in serious injury or property damage.
- The warnings, cautions, and instructions in this manual cannot cover all possible conditions or situations that could occur. Exercise common sense and caution when using this tool. Always be aware of the environment and ensure that the tool is used in a safe and responsible manner.
- Do not allow persons to operate or assemble the product until they have read this manual and have developed a thorough understanding of how it works.
- Do not modify this product in any way. Unauthorized modification may impair the function and/or safety and could affect the life of the product. There are specific applications for which the product was designed.
- Use the right tool for the job. DO NOT attempt to force small equipment to do the work of larger industrial equipment. There are certain applications for which this equipment was designed. It will be a safer experience and do the job better at the capacity for which it was intended. DO NOT use this equipment for a purpose for which it was not intended.

PROP 65

- This product can expose you to chemicals including lead, which is known to the State of California to cause cancer. For more information, go to www.p65warnings.ca.gov.

Assembly Instructions

Step 1. Place the bases of the four Legs (5) into the corners of the Lower Tray (2). The flange on each Post will only fit into certain corners.

Step 2. Insert Carriage Bolts (9) down through the holes in the bases of the Legs (5).

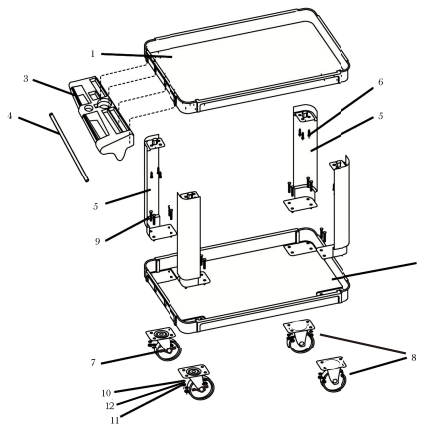
Step 3. Attach Casters (7,8) to Carriage Bolts (9) using Washers(10),Spring (12) and Nuts (11). For best operation, the two Rigid Casters (8) go on the same end of the cart, and the two Swivel Casters (7) go on the other end.

Step 4. Place the Upper Tray (1) upside down on the work surface. Turn the Handle (3) upside down with the cup holder toward the Tray and the hand holes on the outside. Tap the Handle(3) down into the grooves on the Upper Tray(1).

Step 5. Place the Upper Tray(1) with the Handle(3) firmly on top of the Legs (5). **Please make sure the Handle(3) must be on the same side of the Swivel Casters(7).**

Step 6. Use three Screws (6) through each Leg (5) from underneath to secure them.

Parts Diagram



Parts List

Part Number	Part Description	Quantity
1	Upper Tray	1
2	Lower Tray	1
3	Handle	1
4	Towel Rack	1
5	Legs	4
6	Screws	12
7	Swivel Casters	2
8	Rigid Casters	2
9	Carriage Bolts	16
10	Washers	16
11	Nuts	16
12	Spring	16

Limited Warranty

Northern Tool and Equipment Company, Inc. ("We" or "Us") warrants to the original purchaser only ("You" or "Your") that the Klutch product purchased will be free from material defects in both materials and workmanship, normal wear and tear excepted, for a period of **one year** from date of purchase. The foregoing warranty is valid only if the installation and use of the product is strictly in accordance with product instructions. There are no other warranties, express or implied, including the warranty of merchantability or fitness for a particular purpose. If the product does not comply with this limited warranty, Your sole and exclusive remedy is that We will, at our sole option and within a commercially reasonable time, either replace the product or product component without charge to You or refund the purchase price (less shipping). This limited warranty is not transferable.

Limitations on the Warranty

This limited warranty does not cover: (a) normal wear and tear; (b) damage through abuse, neglect, misuse, or as a result of any accident or in any other manner; (c) damage from misapplication, overloading, or improper installation; (d) improper maintenance and repair; and (e) product alteration in any manner by anyone other than Us, with the sole exception of alterations made pursuant to product instructions and in a workmanlike manner.

Obligations of Purchaser

You must retain Your product purchase receipt to verify date of purchase and that You are the original purchaser. To make a warranty claim, contact Us at 1-800-222-5381, identify the product by make and model number, and follow the claim instructions that will be provided. The product and the purchase receipt must be provided to Us in order to process Your warranty claim. Any returned product that is replaced or refunded by Us becomes our property. You will be responsible for return shipping costs or costs related to Your return visit to a retail store.

Remedy Limits

Product replacement or a refund of the purchase price is Your sole remedy under this limited warranty or any other warranty related to the product. We shall not be liable for: service or labor charges or damage to Your property incurred in removing or replacing the product; any damages, including, without limitation, damages to tangible personal property or personal injury, related to Your improper use, installation, or maintenance of the product or product component; or any indirect, incidental or consequential damages of any kind for any reason.

Assumption of Risk

You acknowledge and agree that any use of the product for any purpose other than the specified use(s) stated in the product instructions is at Your own risk.

Governing Law

This limited warranty gives You specific legal rights, and You also may have other rights which vary from state to state. Some states do not allow limitations or exclusions on implied warranties or incidental or consequential damages, so the above limitations may not apply to You. This limited warranty is governed by the laws of the State of Minnesota, without regard to rules pertaining to conflicts of law. The state courts located in Dakota County, Minnesota shall have exclusive jurisdiction for any disputes relating to this warranty.

KLUTCH®

Distributed by:

Northern Tool & Equipment Company, Inc.

Burnsville, Minnesota 55306

www.northerntool.com

Made in **China**