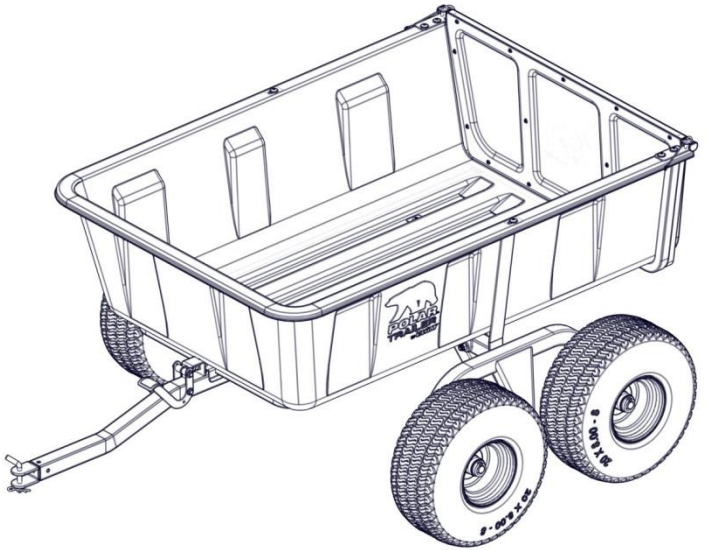




# HD MAX TA



## MODEL 10813

### **- SPECIFICATIONS:**

Part Number:	110813
Load Capacity:	1800 lbs.
Load Size:	27 Cubic Feet
Overall Dimensions:	93" x 55" x 39"
Overall Weight:	280 lbs.
Tires:	20 X 8.00-8
Instruction P/N	105155



Please contact customer service directly at the E-mail or phone number listed below for any quality issues. **ONCE USED THIS PRODUCT CANNOT BE RETURNED TO STORE.**

**\*\* Warranty cannot be honored without an original, dated receipt \*\***

## WARRANTY INFORMATION

### **IMPORTANT-PLEASE READ:**

CLAM OUTDOORS INC. warrants to the original retail purchaser its product be free from manufacturers defects for (5) years from the date of the original purchase. Clam Outdoors Inc will replace or repair any part found defective within the (5) year time limit. All parts must be returned to Clam Outdoors Inc. Before returning any parts, you must first call or write and acquire a return authorization. All returns must be returned postage-prepaid and include the original cash register receipt (date and purchase price).

### **To submit a warranty claim request, please use one of the following methods:**

- Customer Service Hrs: 9am to 4pm, Monday – Friday Central Standard Time
- Clam Corporation  
Attn: Customer Service – Warranty Department  
12135 Brockton Lane  
Rogers, MN 55369  
Phone: 763-231-4120  
Fax: 763-231-4121  
Email: [customerservice@clamcorp.com](mailto:customerservice@clamcorp.com)  
Website: [Polartrailer.com](http://Polartrailer.com)

The warranty does not apply to any Polar Trailer which has been subjected to an accident, improper installation, modification, adjustment, repair, misuse, misapplication, neglect, including but not limited to improper maintenance, or use of unauthorized parts or attachments.

### **LIMITATION OF LIABILITY**

It is expressly understood that Clam Outdoors Inc. liability for its products, whether due to breach of warranty, negligence, strict liability, or otherwise, is limited to the repair of the product as stated above. Clam Outdoor Inc. is not liable for any injury, loss, damage, or expense, whether direct or consequential, including but not limited to loss of use, income, profit, or damage to material arising in connection with the sale, installation, use of, inability to use, or the repair or replacement of Clam Outdoor Inc. products. Clam Outdoor Inc. reserves the right to make alterations or modifications in its products at any time, which in its opinion, may improve the performance and efficiency of the product. It shall not be obligated to make such alterations or modifications to products already in service.

**WARNING:**

- **THIS PRODUCT IS INTENDED FOR USE IN LAWN CARE AND HOME APPLICATIONS.**
- **DO NOT TOW BEHIND A VEHICLE OR USE ON A HIGHWAY OR IN ANY HIGH SPEED APPLICATION.**
- **THIS PRODUCT HAS BEEN DESIGNED FOR OFF-ROAD USE ONLY.**

**Transporting Loads Safely**

- Stopping distance increases with speed and weight of load. Travel slowly and allow extra time and distance to stop.
- Excessive load can cause loss of traction and loss of control on slopes. Reduce payload weight when operating on slopes.
- Never allow children or others in or on equipment.
- Do not attach the Utility Cart to any powered vehicle.
- Follow the manufacturer's recommendations for weight limits.
- Do not turn sharply. Use additional caution when turning or operating under adverse surface conditions.

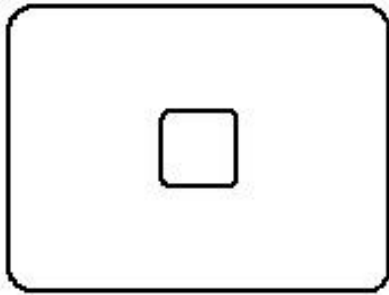
**Keep Riders off Utility Cart**

- Keep riders off of the Utility Cart.
- Riders are subject to injury, such as being struck by objects or being thrown off the attachment during sudden starts, stops and turns.
- Riders obstruct the operator's view, resulting in the Utility Cart being used in an unsafe manner.

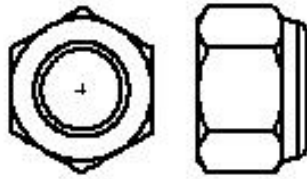
## PARTS LIST

QTY.	PART NO.	DESCRIPTION
1	105131	BASE, HD MAX 2800
4	105005	ASSY, 20 X 8.00 - 8, WHEEL
1	105155	INSTRUCTIONS, HD MAX TA
1	105472	DECAL MODEL HD MAX TA
1	109265	SCREWDRIVER, #4 PHILLIPS
1	105092	KIT, TANDEM ARMS <i>(INCLUDES THE FOLLOWING)</i>
2	105096	ASSY, TA PIVOT ARM
2	101894	KIT, HARDWARE <i>(INCLUDES THE FOLLOWING)</i>
8	101732	WASHER, 1" FLAT SAE CZ
4	101823	PIN, 1/4" LYNCH
1	105137	INNERPACK, HD MAX 2800 <i>(INLCUDES THE FOLLOWING)</i>
1	105113	WLDMT, UPRIGHT SUPPORT
1	105106	WLDMT, AXLE, HD2800
1	105110	WLDMT, BASE FRAME, HD2800
1	105130	ASSY, TONGUE, HD MAX 2800
1	105136	ASSY, TAILGATE, HD MAX 2800
1	105133	KIT, HRDWR HD MAX 2800 <i>(INCLUDES THE FOLLOWING)</i>
1	101822	WELDT, HITCH PULL
1	101721	TUBE, 2 X 2 PIVOT
1	101824	PLATE, PULL SUPPORT
1	105123	BRACKET, LH, HINGE PIN HOLDER
1	105124	BRACKET, RH, HINGE PIN HOLDER
2	105568	PLATE TAILGATE LOCK
37	101741	WASHER, 3/8" FLAT REG
19	101740	NUT, 3/8-16 NYLOCK
7	101312	WASHER, 1/2" FLAT REG CZ
7	101313	NUT, 1/2-13 NYLOCK
3	105132	SCREW, 3/8-16 X 2-1/4, HEX HEAD
10	101749	BOLT, 3/8-16 X 1.25 TH GR5 CZ
5	101732	WASHER, 1" FLAT SAE CZ
2	101823	PIN, 1/4" LYNCH
4	103280	WASHER, SQUARE, TRAILERS
7	101739	BOLT, 1/2-13 X 3.50 CB GR5 CZ
1	102200	BENT ARM PIN
1	102201	SPRING COTTER PIN
10	101779	SCREW, 3/8-16 X 2.50, TH
2	101314	LOCKING PIN, 1/4 DIA SNGL WIRE SNAP
3	105476	BOLT, 3/8-16 X 2.00, TH

# FASTENERS



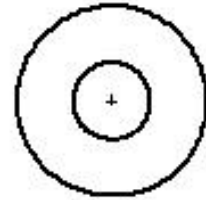
4X 103280



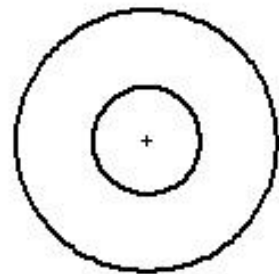
7X 101313



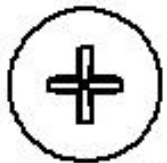
19X 101740



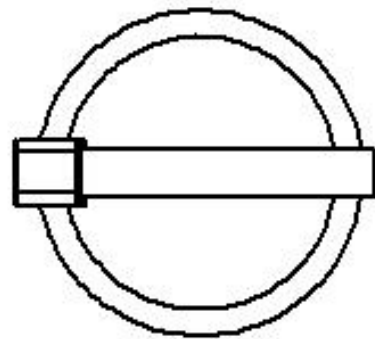
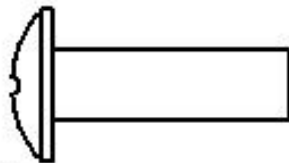
37X 101741



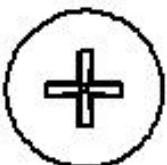
7X 101312



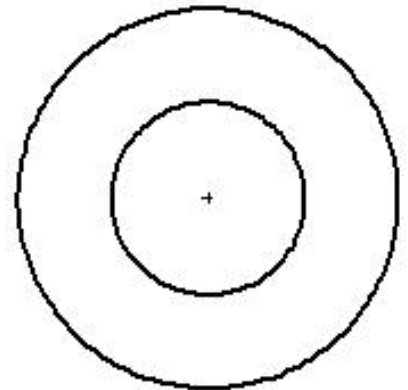
10X 101749



6X 101823



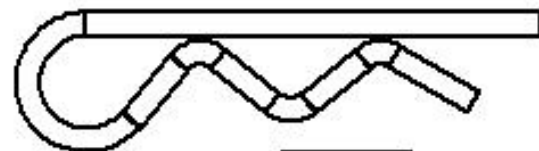
3X 105476



13X 101732



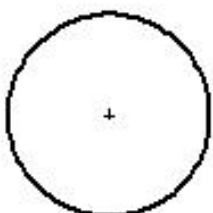
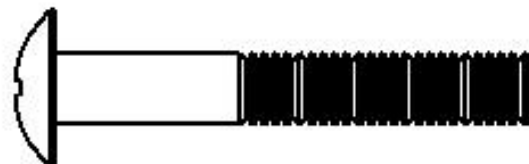
3X 105132



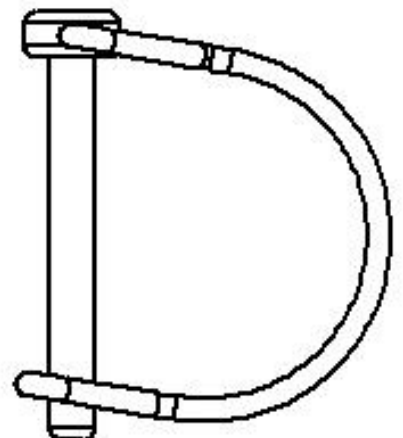
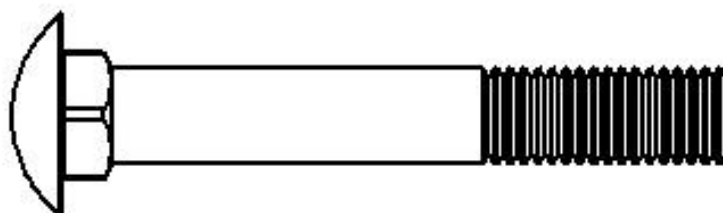
1X 102201



10X 101779



7X 101739



2X 101314

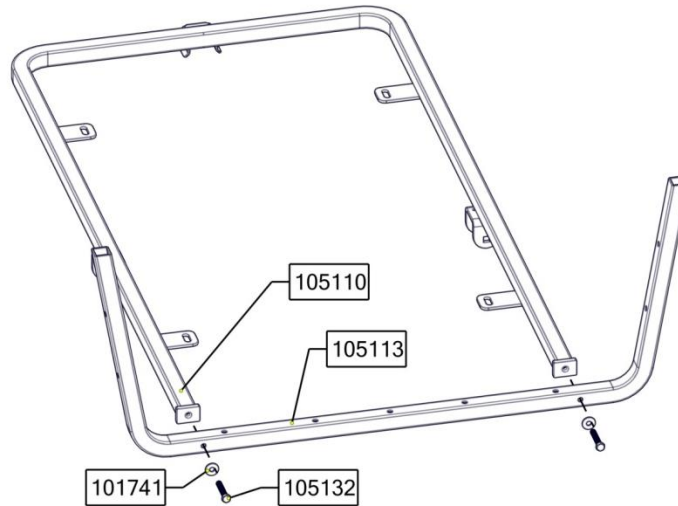
## STEP-1

Please Notice This



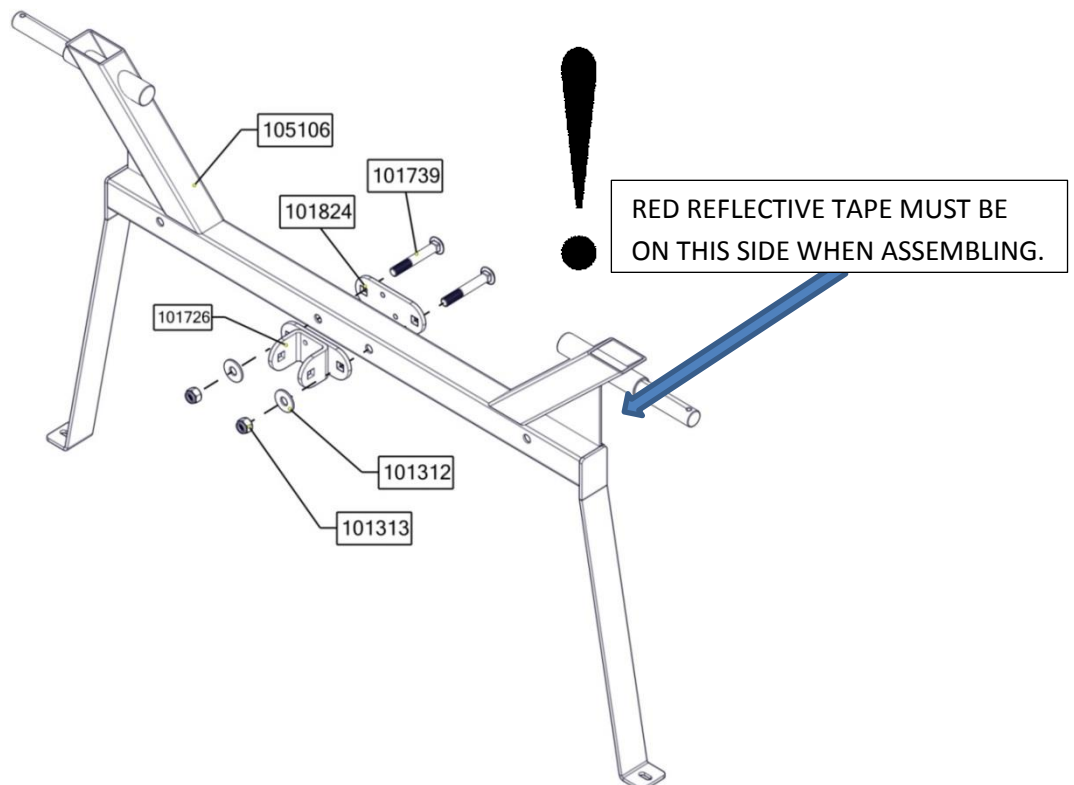
- \*USING A DROP OF OIL ON ALL NUTS WILL EASE THE ASSEMBLY PROCESS.
- \*IT IS BEST TO USE THE AID OF ANOTHER PERSON DURING ASSEMBLY.

1 INSTALL (105113) to (105110) WITH FASTENERS AS SHOWN. **SECURELY TIGHTEN.**



## STEP-2

1. ASSEMBLE AXLE COMPONENTS WITH FASTENERS AS SHOWN AND **SECURELY TIGHTEN.**

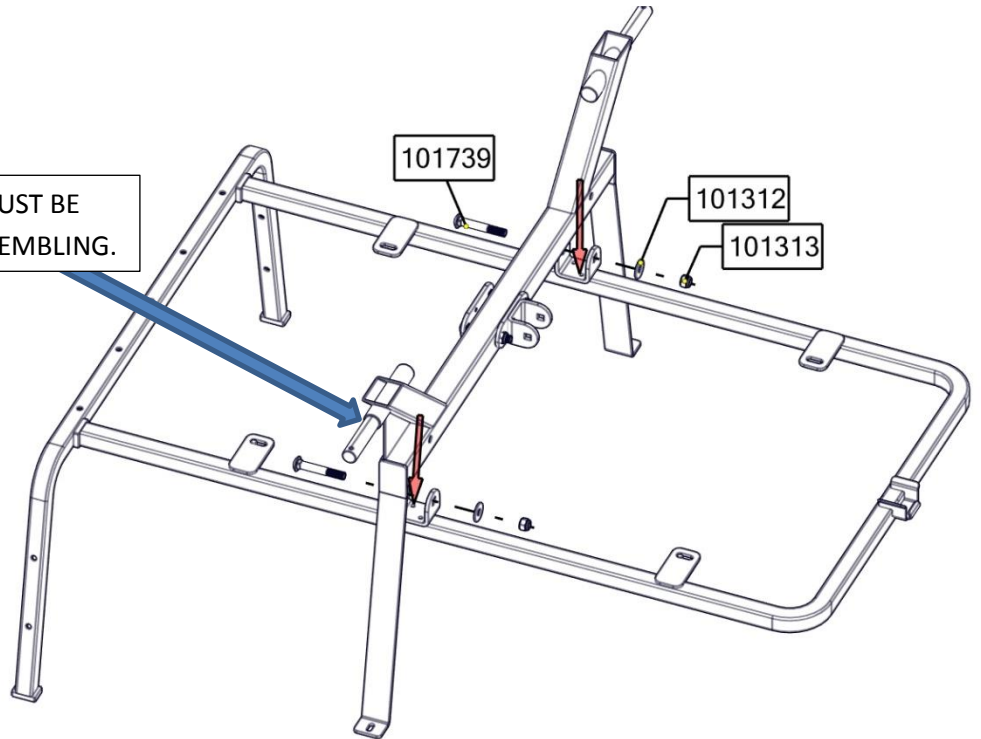


### STEP-3

1. INSTALL FRAME ASSEMBLY FROM **STEP-1** TO AXLE ASSEMBLY **STEP-2** WITH FASTENERS AS SHOWN. **SECURELY TIGHTEN.**

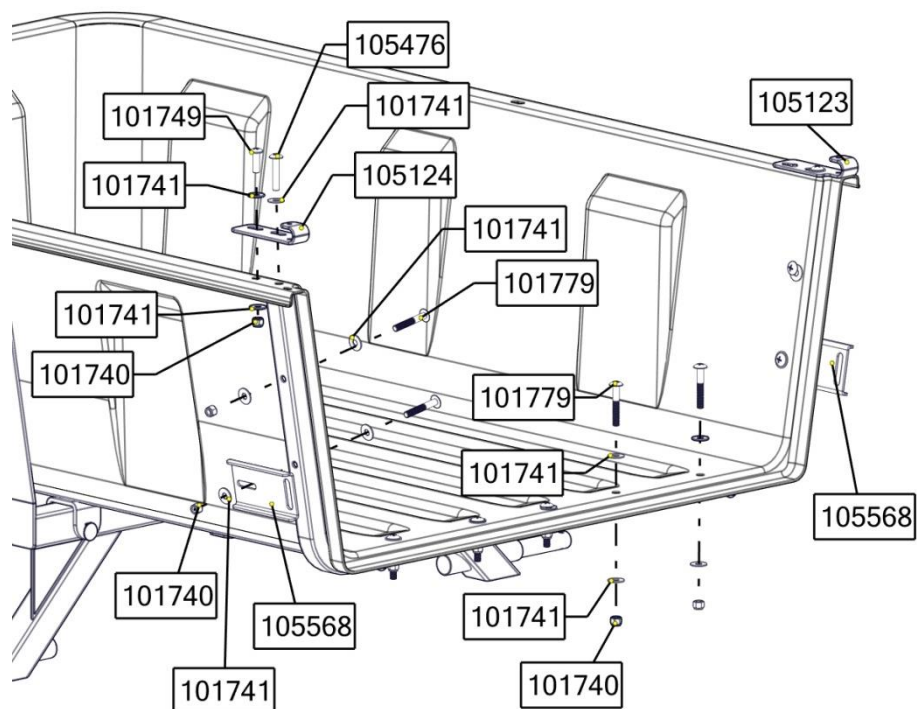


RED REFLECTIVE TAPE MUST BE ON THIS SIDE WHEN ASSEMBLING.



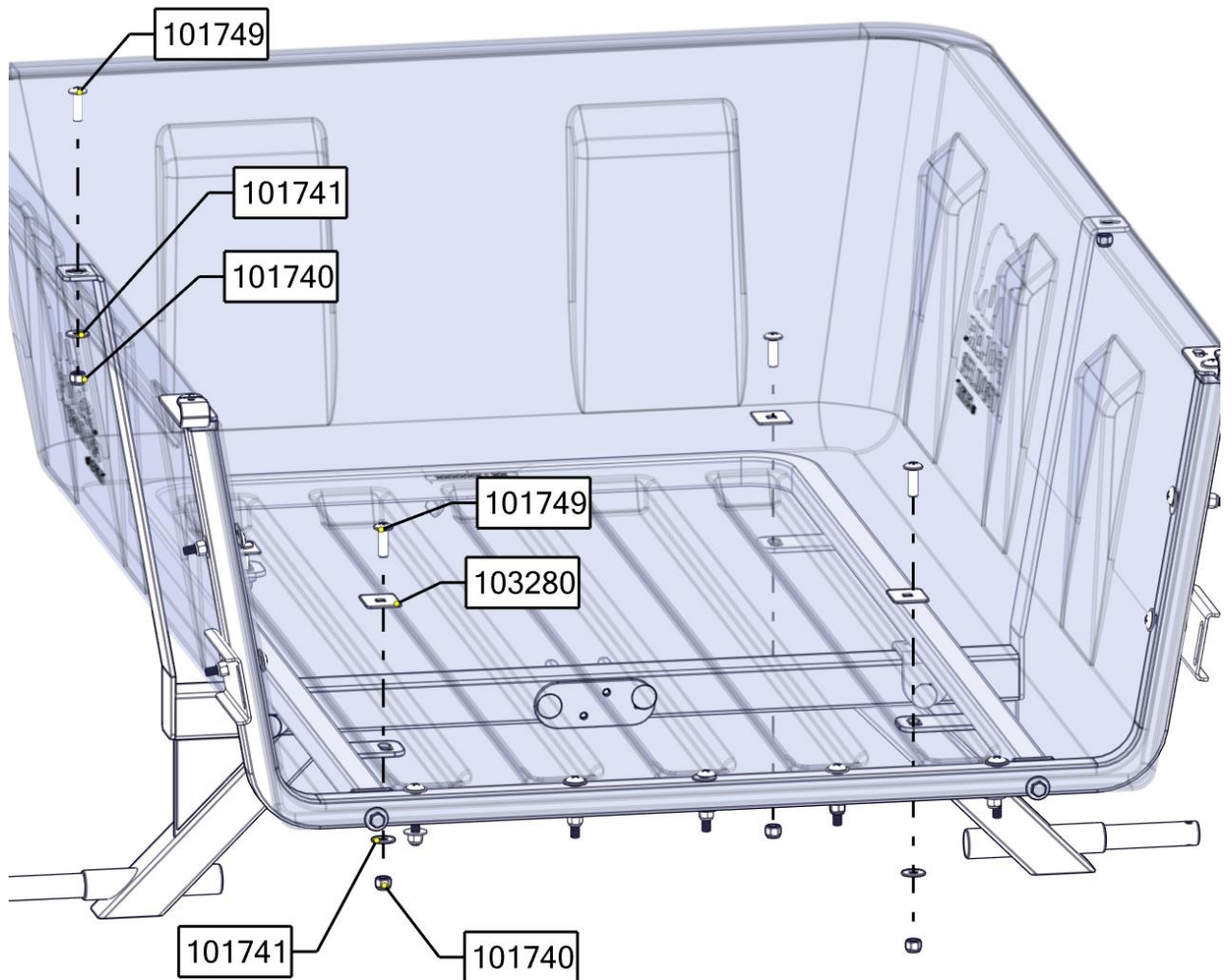
### STEP-4

1. **LOOSELY** INSTALL REAR OF BASE TO FRAME ASSEMBLY WITH ALL FASTENERS REQUIRED. **DO NOT TIGHTEN FASTENERS.**



## STEP-5

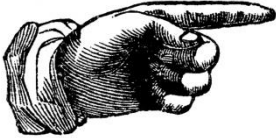
1. **LOOSELY** INSTALL BOTTOM OF BASE TO FRAME AND SIDE STRAPS AS SHOWN. **SECURELY TIGHTEN ALL LOOSE FASTENERS AT THIS POINT.**



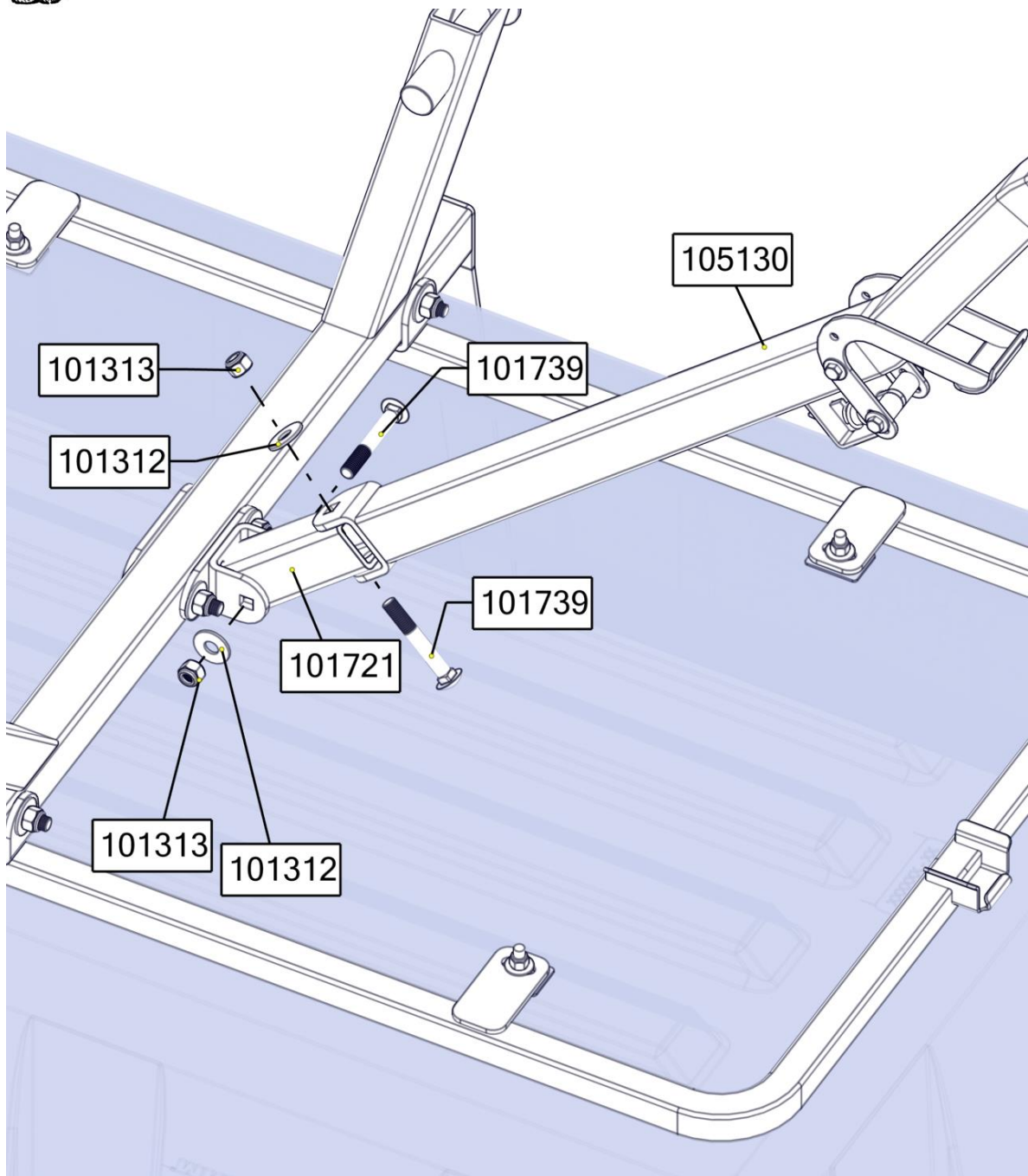
## STEP-6

1. ASSEMBLE, TUBE (101721) AND TONGUE ASSEMBLY (105130) TO THE TRAILER FRAME USING FASTENERS AS SHOW.

Please Notice This

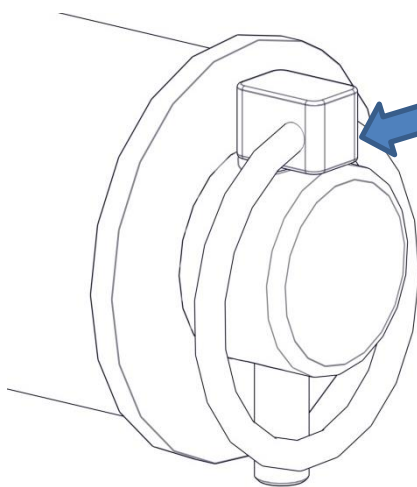
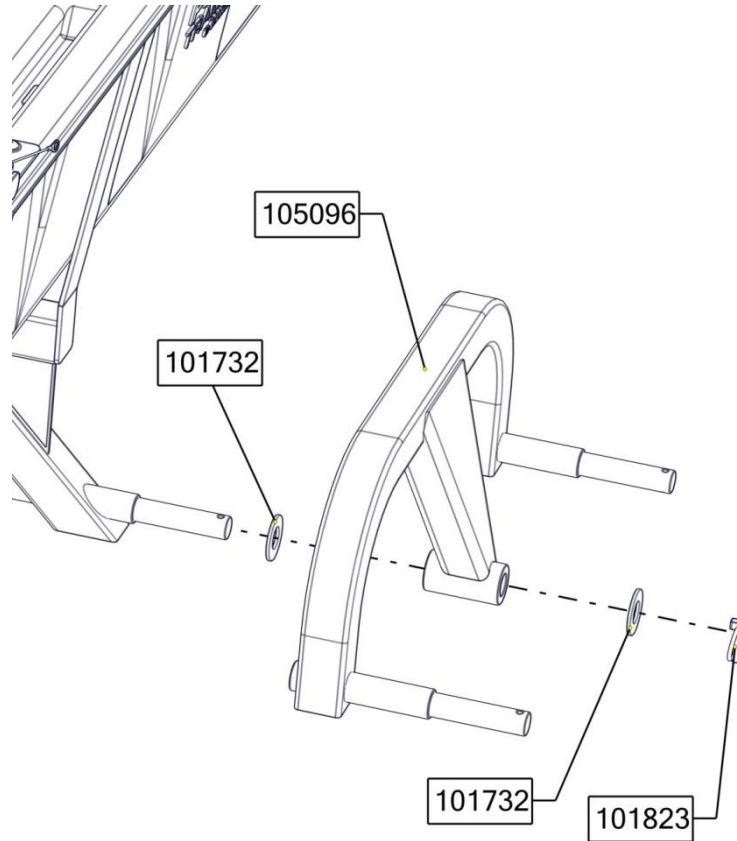


DO NOT OVER TIGHTEN FASTENERS! BOTH TUBE (101721) AND TONGUE ASSEMBLY (105130) MUST MOVE FREELY AND ROTATE ONCE SECURED IN PLACE.



## STEP-7

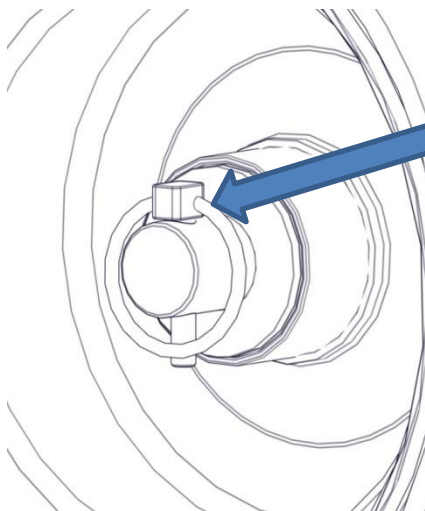
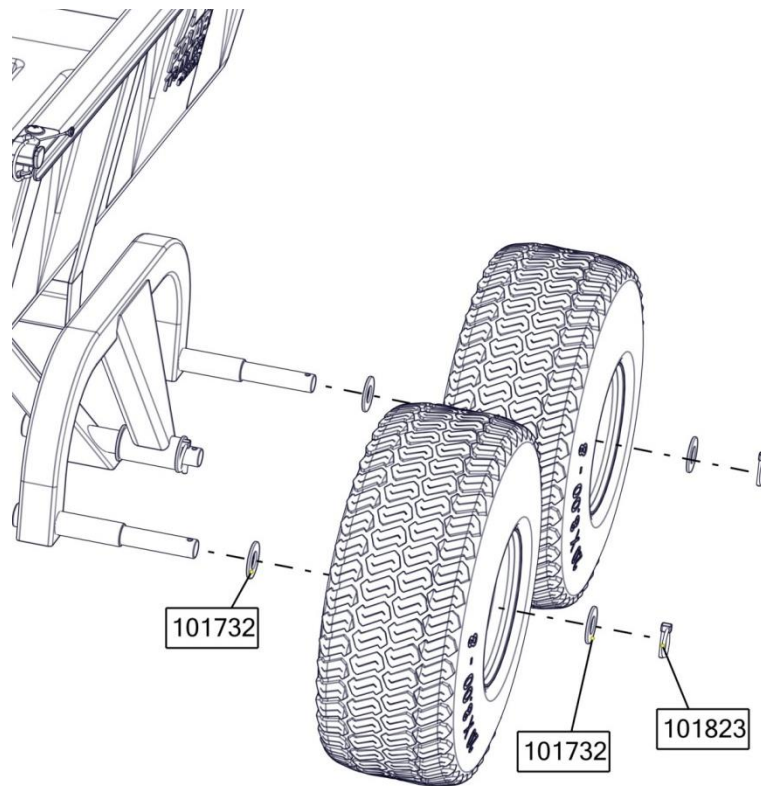
1. ASSEMBLE THE TANDEM HUB (105096) TO AXLE AS SHOWN AND SECURE IN PLACE WITH LYNCH PIN (101823)



LYNCH PIN (101823)  
MUST BE LOCKED IN  
POSITION AS SHOWN  
BEFORE MOVING TRAILER

## STEP-8

1. ASSEMBLE THE WHEELS (105005) TO TANDEM AXLE AS SHOWN AND SECURE IN PLACE WITH LYNCH PIN (101823)

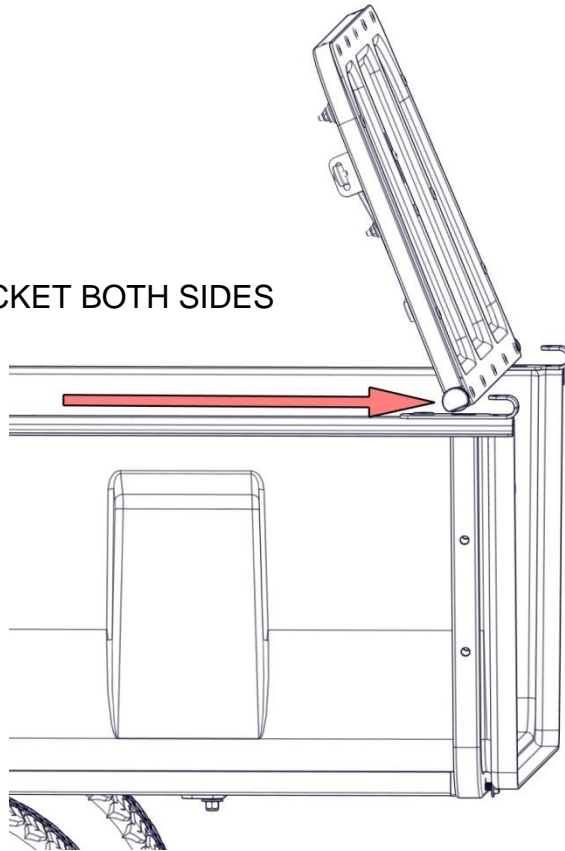



LYNCH PIN (101823)  
MUST BE LOCKED IN  
POSITION AS SHOWN  
BEFORE MOVING TRAILER

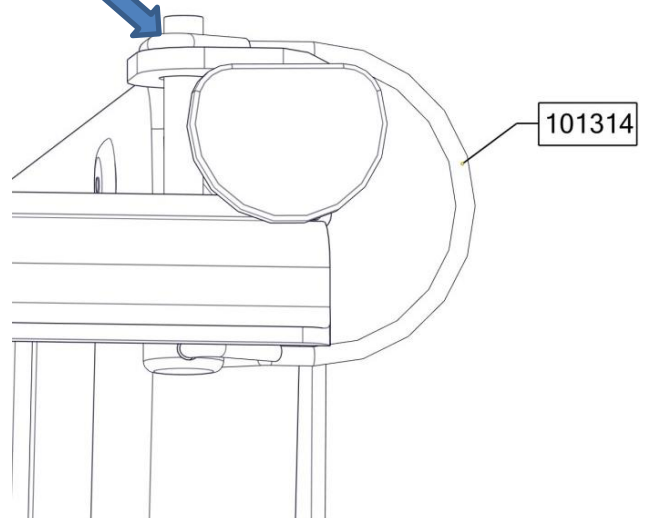
## STEP-9

1. INSTALL THE TAILGATE AND SLIDE INTO BRACKETS AS SHOWN AND INSTALL THE LYNCH PINS.

SLIDE INTO BRACKET BOTH SIDES

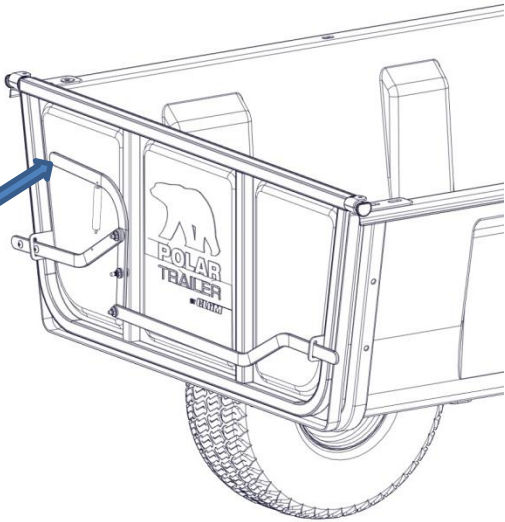


 LOCKING PIN (101314) MUST BE LOCKED IN POSITION AS SHOWN BEFORE MOVING TRAILER



# LATCH OPERATION

PULL BAR UPWARD TO UNLOCK AND LOCK



# DUMP OPERATION

1. USING FOOT, PUSH DOWN ON FOOT PEDAL TO RELEASE TRAILER BOX

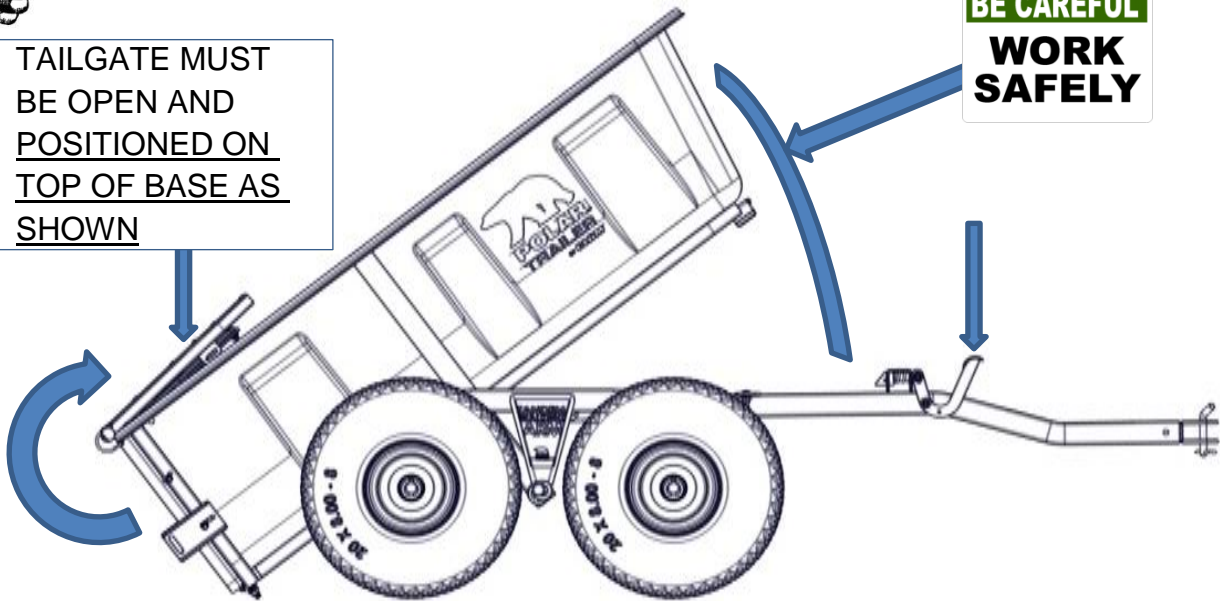
 **KEEP CLEAR OF ROTATING BOX AREA TO AVOID INJURY**

Please Notice This



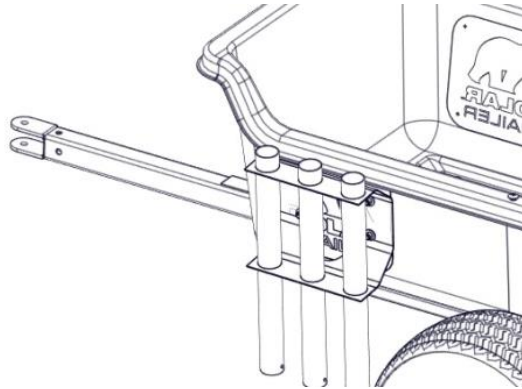
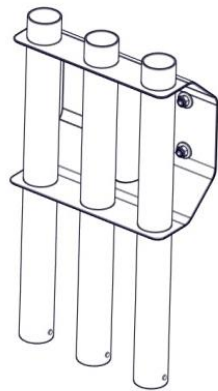
TAILGATE MUST BE OPEN AND POSITIONED ON TOP OF BASE AS SHOWN

**BE CAREFUL  
WORK SAFELY**



**VISIT OUR WEB-SITE FOR ADDITIONAL ACCESSORIES THAT MAY BE AVAILABLE FOR YOUR TRAILER**

TOOL RACK



TOOL ORGANIZER

