

# POWERHORSE®

## PRESSURE WASHER

Dual-way Towing Use and Wall Mounting Use

Owner's Manual



**!** **WARNING:** Read carefully and understand all ASSEMBLY AND OPERATION INSTRUCTIONS before operating. Failure to follow the safety rules and other basic safety precautions may result in serious personal injury.

Item # 6147311

**READ & SAVE THESE INSTRUCTIONS**

Thank you very much for choosing a Powerhorse product!

For future reference, please complete the owner's record below:

Serial Number/Lot Date Code (if applicable): \_\_\_\_\_

Purchase Date: \_\_\_\_\_

Save the receipt, warranty, and this manual. It is important that you read the entire manual to become familiar with this product before you begin using it.

This product is designed for certain applications only. Northern Product and Equipment is not responsible for issues arising from modification or improper use of this product such as an application for which it was not designed. We strongly recommend that this product not be modified and/or used for any application other than that for which it was designed.

For technical questions, please call **1-800-222-5381**.

**Table of Contents**

**Important Safety Information .....4**

**Specific Operation Warnings .....6**

**Extension Cords.....6**

**Main Parts of Product .....7**

**Technical Specifications .....8**

**Packaging Contents.....8**

**Intended Use.....8**

**Before Each Use.....9**

**Operating Instructions.....13**

**After Each Use.....16**

**Maintenance .....17**

**Troubleshooting .....18**

**Parts Diagram .....20**

**Parts List.....21**

**Replacement Parts .....21**

**Limited Warranty .....22**

## Important Safety Information

### **⚠WARNING**

- Read and understand all instructions. Failure to follow all instructions may result in serious injury or property damage.
- The warnings, cautions, and instructions in this manual cannot cover all possible conditions or situations that could occur. Exercise common sense and caution when using this product. Always be aware of the environment and ensure that the product is used in a safe and responsible manner.
- Do not allow persons to operate or assemble the product until they have read this manual and have developed a thorough understanding of how it works.
- Do not modify this product in any way. Unauthorized modification may impair the function and/or safety and could affect the life of the product. There are specific applications for which the product was designed.
- Use the right product for the job. DO NOT attempt to force small equipment to do the work of larger industrial equipment. There are certain applications for which this equipment was designed. This product will be safer and do a better job at the capacity for which it was intended. DO NOT use this equipment for a purpose for which it was not intended.
- Industrial or commercial applications must follow OSHA requirements.
- This Product Is Provided With A Class A Ground Fault Circuit Interrupter Built Into The Power Cord Plug. If Replacement Of The Plug Or Cord Is Needed, Use Only Identical Replacement Parts.

### **⚠WARNING**

#### **WORK AREA SAFETY**

- Inspect the work area before each use. Keep work area clean, dry, free of clutter, and well-lit. Cluttered, wet, or dark work areas can result in injury. Using the product in confined work areas may put you dangerously close to cutting products and rotating parts.
- Do not use the product where there is a risk of causing a fire or an explosion; e.g., in the presence of flammable liquids, gases, or dust. The product can create sparks, which may ignite the flammable liquids, gases, or dust.
- Do not allow the product to come into contact with an electrical source. The product is not insulated and contact will cause electrical shock.
- Keep children and bystanders away from the work area while operating the product. Do not allow children to handle the product.
- Be aware of all power lines, electrical circuits, water pipes, and other mechanical hazards in your work area. Some of these hazards may be hidden from your view and may cause personal injury and/or property damage if contacted.

## **⚠WARNING**

### **PERSONAL SAFETY**

- Stay alert, watch what you are doing, and use common sense when operating the product. Do not use the product while you are tired or under the influence of drugs, alcohol, or medication. A moment of inattention while operating the product may result in serious personal injury.


## **⚠CAUTION**

### **PRODUCT USE AND CARE**

- Do not force the product. Products are safer and do a better job when used in the manner for which they are designed. Plan your work and use the correct product for the job.
- Check for damaged parts before each use. Carefully check that the product will operate properly and perform its intended function. Replace damaged or worn parts immediately. Never operate the product with a damaged part.
- Do not use a product with a malfunctioning switch. Any power product that cannot be controlled with the power switch is dangerous and must be repaired by an authorized service representative before using.
- Disconnect the power/air supply from the product and place the switch in the locked or off position before making any adjustments, changing accessories, or storing the product. Such preventive safety measures reduce the risk of starting the product accidentally.
- Store the product when it is not in use. Store it in a dry, secure place out of the reach of children. Inspect the product for good working condition prior to storage and before re-use.
- Use only accessories that are recommended by the manufacturer for use with your product. Accessories that may be suitable for one product may create a risk of injury when used with another product. Never use an accessory that has a lower operating speed or operating pressure than the product itself.
- Keep guards in place and in working order. Never operate the product without the guards in place.
- Do not leave the product running unattended.

## **⚠WARNING**

### **• Servicing of Double-Insulated Appliance**

In a double-insulated appliance, two systems of insulation are provided instead of grounding. No grounding means is provided on a double-insulated appliance, nor should a means for grounding be added to the appliance. Servicing a double insulated appliance requires extreme care and knowledge of the system, and should be performed only by qualified service personnel at an authorized dealer. Replacement parts for a double-insulated appliance must be identical to the parts they replace. A double-insulated appliance is marked with the words "Double Insulation" or "Double Insulated." The symbol  (square within a square) may also be marked on the appliance.

## ⚠️WARNING

- **Ground Fault Circuit Interrupter Protection**

This pressure washer is provided with a Class A ground-fault circuit-interrupter (GFCI) built into the plug of the power-supply cord. This device provides additional protection from the risk of electric shock. Should replacement of the plug or cord become necessary, use only identical replacement parts that include Class A GFCI protection.

## ⚠️WARNING

### PROP 65

- This product can expose you to chemicals including lead and Bisphenol A (BPA), which is known to the State of California to cause cancer and birth defects or other reproductive harm. For more information, go to [www.p65warnings.ca.gov](http://www.p65warnings.ca.gov).

## Specific Operation Warnings

## ⚠️WARNING

- **VENDOR:** Use this table for specific product warnings/hazards.
- Each warning is a bullet item.

## Extension Cords

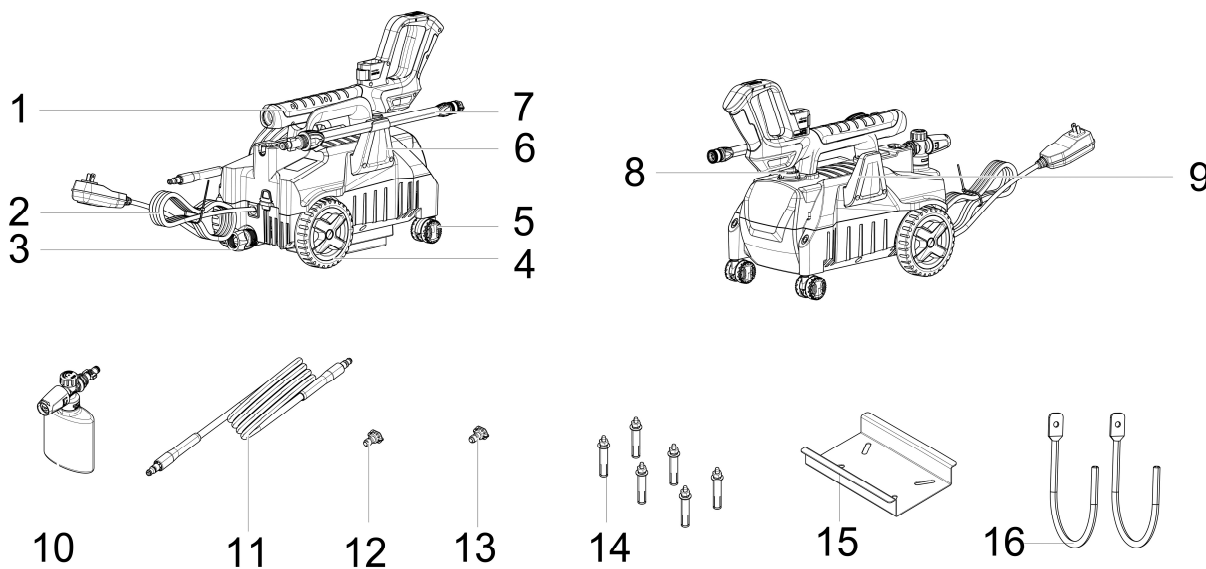
## ⚠️WARNING

- **USE A PROPER EXTENSION CORD.** Make sure your extension cord is in good condition. When using an extension cord, be sure to use one heavy enough to carry the current your product will draw. An undersized cord will cause a drop in line voltage, resulting in loss of power and cause overheating.
- Be sure your extension cord is properly wired and in good condition. Always replace a damaged extension cord or have it repaired by a qualified person before using it. Protect your extension cords from sharp objects, excessive heat and damp or wet areas.
- Grounded products require a 3-wire extension cord. Double Insulated products can use either a 2- or 3-wire extension cord.
- As the distance from the supply outlet increases, you must use a heavier gauge extension cord. Using extension cords with inadequately sized wire causes a serious drop in voltage, resulting in loss of power and possible product damage.
- The smaller the wire's gauge number, the greater the capacity of the cord. For example, a 14-gauge cord can carry a higher current than a 16-gauge cord. Minimum extension cord wire size is shown in the following table:

Minimum Wire Size Of Extension Cords				
Nameplate AMPS	Cord Length			
	25'	50'	100'	150'
0-6	18 AWG	16 AWG	16 AWG	14 AWG
6-10	18 AWG	16 AWG	14 AWG	12 AWG
10-12	16 AWG	16 AWG	14 AWG	12 AWG
12-16	14 AWG	12 AWG	NOT RECOMMENDED	

- When using more than one extension cord to make up the total length, make sure each cord contains at least the minimum wire size required.
- If you are using one extension cord for more than one product, add the nameplate amperes and use the sum to determine the required minimum cord size.
- If you are using an extension cord outdoors, make sure it is marked with the suffix **W-A** (**W** in Canada) to indicate it is acceptable for outdoor use.
- Make sure your extension cord is properly wired and in good electrical condition. Always replace a damaged extension cord or have it repaired by a qualified electrician before using it.
- Protect your extension cords from sharp objects, excessive heat, and damp or wet areas.

### Main Parts of **Product**



Subassembly	
01	Trigger gun
02	Power cord with GFCI
03	Garden hose adapter (Female coupler)
04	Wheel (2)
05	Caster wheel (2)
06	Spray wand holder
07	Spray wand assembly
08	Water outlet
09	High-pressure hose holder
10	Foam bottle
11	High-pressure hose

Subassembly	
12	15° Quick-Connect nozzle (yellow)
13	40° Quick-Connect nozzle (gray)
14	Expansion screw (6)
15	Wall-mount rack
16	Hook (2)

## Technical Specifications

Property	Specification
Rated Voltage	120V ~ 60 Hz
Motor	13-amp
Max Water Inlet Temperature	104°F/40°C
Max Water Inlet Pressure	0.7 MPa
Hose Length	20 ft (6 m)
Power Cord Length	35 ft (10.7 m)
Spray Nozzle	15° & 45°
Foam Cannon Capacity	10 fl oz (0.3 L)
Max Pressure at initial discharge per CSA internal pressure testing	2100 PSI
Rated Pressure under typical load	1600 PSI
Max Flow with nozzle open at minimum pressure	1.9 GPM (7.2 L/min)
Rated Flow under typical load	1.2 GPM (4.5 L/min)
Net Weight	16.58 lbs (7.52 kg)

## Packaging Contents

- Electric pressure washer (1)
- Wheel (2)
- Foam cannon (1)
- Needle clean-out tool (1)
- Expansion screw (6)
- Trigger gun (1)
- Spray wand (1)
- High-pressure hose (1)
- Manual with registration card (1)
- Hook (2)
- Caster wheel (2)
- Spray wand assembly (1)
- Wall-mount rack (1)
- Garden hose adapter (female coupler) (1)

## Intended Use

This machine can be used mounted to the wall or used on the floor.

**Note:** Read the owner's manual and safety rules carefully before operating the pressure washer. Compare the illustration below to the pressure washer in order to familiarize yourself with the location of the various controls and adjustments. Save this manual for future reference.

1. Carefully remove the pressure washer and check to see that all of the above items are supplied.
2. Inspect the product carefully to make sure no breakage or damage occurred during shipping. If



you find damaged or missing parts, DO NOT return the unit to the store. Please call the customer service center for assistance.

**NOTE:** Do not discard the shipping carton and packaging materials until you are ready to use your new electric pressure washer. The packaging is made of recyclable materials. Properly dispose of these materials in accordance with local regulations.

**IMPORTANT!** The equipment and packaging materials are not toys. Do not let children play with plastic bags, foils, or small parts. These items can be swallowed and pose a suffocation risk!

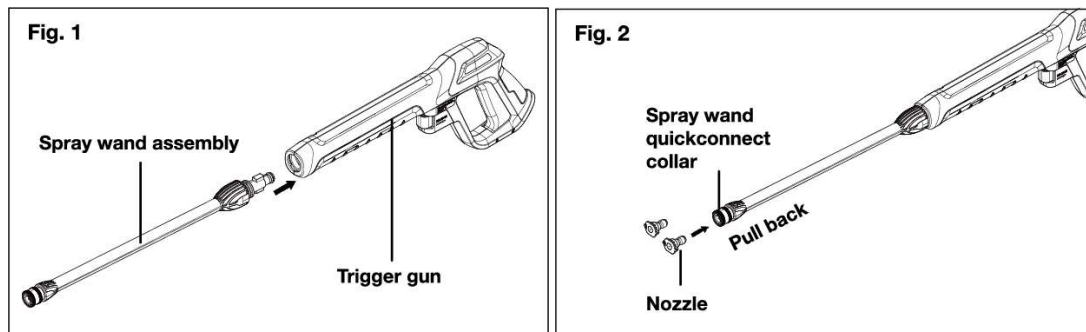
## ⚠WARNING

- Do not connect to power supply until assembly is complete. Failure to comply could result in accidental starting and possible serious personal injury.

## Before Each Use

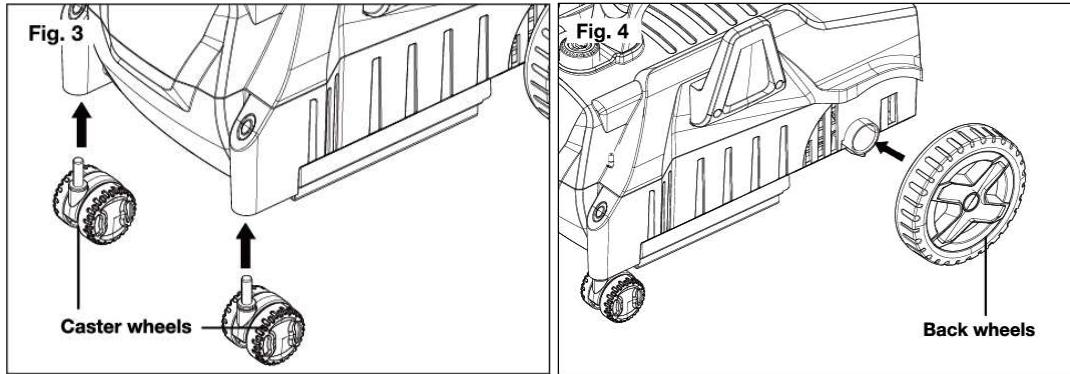
### Spray Gun Assembly

1. Fit the spray wand assembly into the gun and turn the rotatable end-piece of the wand until the two parts are completely locked (Fig. 1).
2. Pull back the brass Quick-Connect collar and insert the desired nozzle into the collar. Release the collar and the nozzle will click into place (Fig. 2).



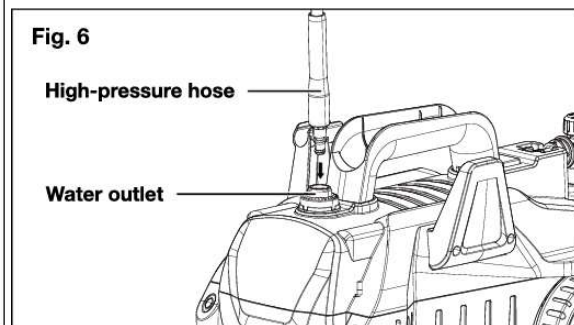
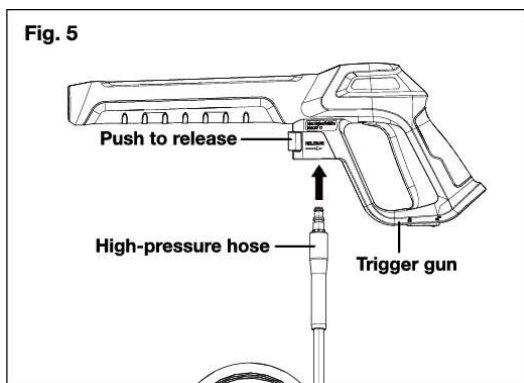
### Installing Wheels

1. Install the caster wheels onto the front of the pressure washer by inserting them into the two holes on the bottom of the housing (Fig. 3). Press wheels down firmly to secure.
2. Insert the larger back wheels into the two holes on either side of the pressure washer housing (Fig. 4).



## Connect the Spray Gun to the Pressure Washer

1. Connect the quick-connect end of the high-pressure hose to the trigger gun (Fig. 5). You will hear a click when it snaps into place. To release the high-pressure hose from the trigger gun, push the release button on the trigger gun.
2. Connect the other end of the high-pressure hose to the water outlet on the pressure washer (Fig. 6). First, push the high-pressure hose end completely onto the high-pressure water outlet, then screw it on clockwise.

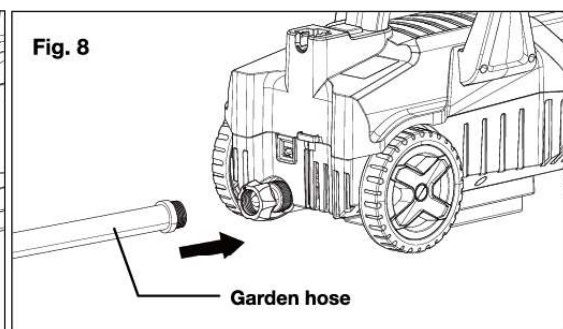
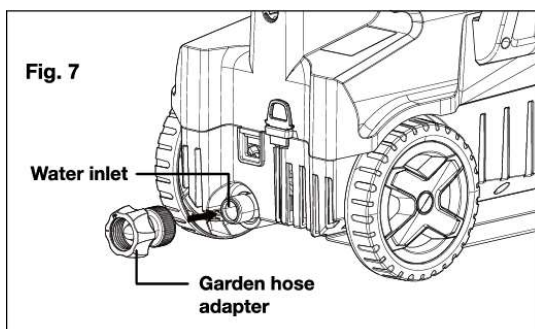


## ⚠ WARNING

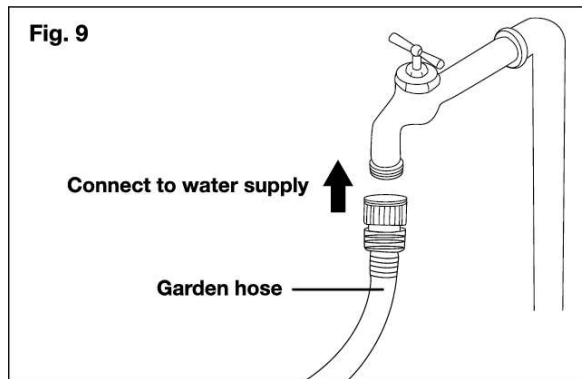
- Keep hose away from sharp objects. Bursting hoses may cause injury. Examine hoses regularly and replace if damaged. Do not attempt to mend a damaged hose.

3. Connect the garden hose adapter (female coupler) to the water inlet of the pressure washer, then thread your garden hose (male end) into the garden hose adapter (Figs. 7 – 8). The garden hose must have an internal diameter of at least 13 mm (1/2 in.) and must be reinforced. The water supply must be at least equal to the washer delivery capacity.

**NOTE:** The machine is not suitable for connection to the potable water main.



4. Attach garden hose to water supply (Fig. 9).



### ⚠WARNING

- Do not connect to potable water system.
- If connection is made to a potable water system, the system shall be protected against backflow.
- The intake water temperature must not exceed 104°F/40°C. The water supply must not exceed 0.7 MPa.

### ⚠CAUTION

- The washer must only be used with clean water; use of unfiltered water containing corrosive chemicals will damage the washer.
- To prevent damage to the appliance, do not allow it to operate dry. Before starting the appliance, make sure that it has a proper and stable supply of water.

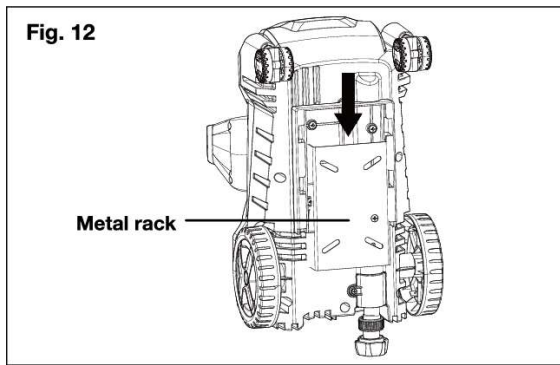
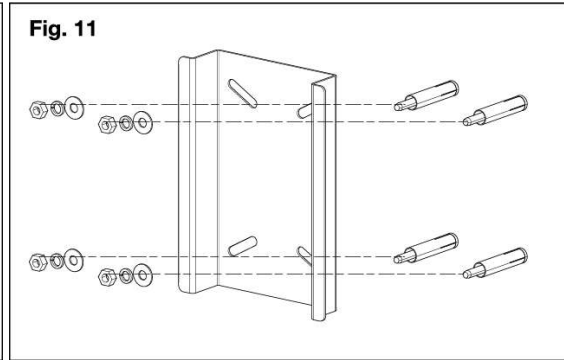
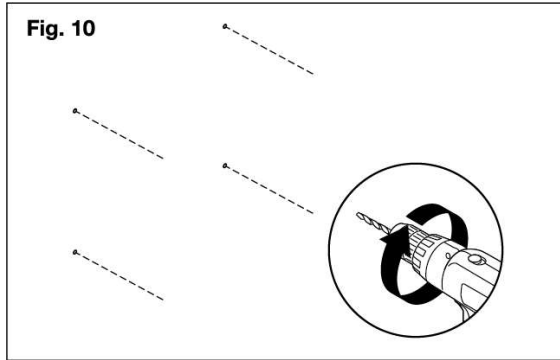
5. Make sure the motor switch is pushed to the OFF (0) position before plugging the unit into the power outlet.

## Wall Mount Installation

This high pressure washer can also be wall mounting use.

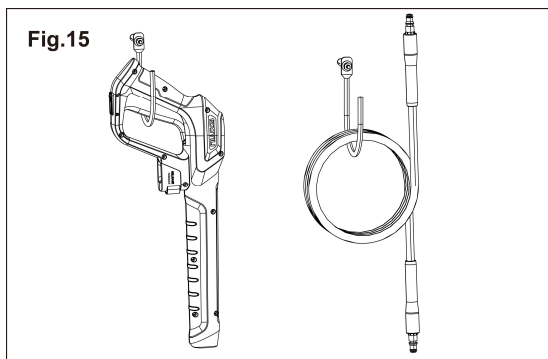
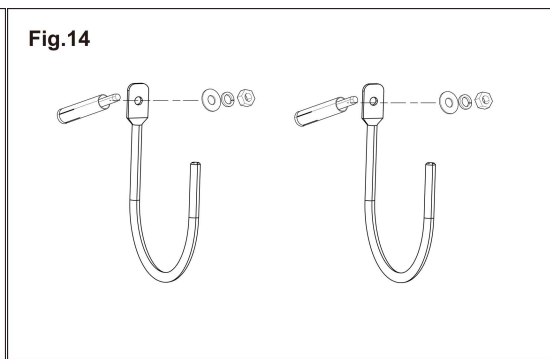
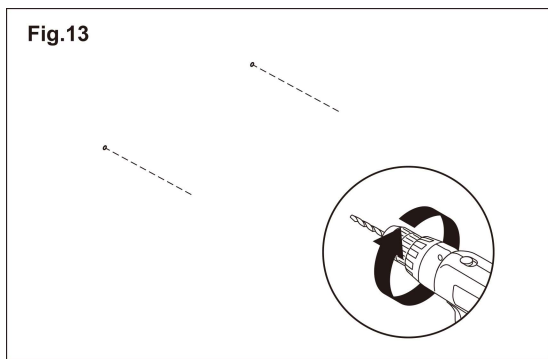
**IMPORTANT!** It is recommended to install in indoor places like car washes and garages.

1. Confirm the installation of the expansion screw position, use the drill to punch  $\varnothing 60$  holes in the wall (Fig. 10).
2. Fix the metal frame (Fig. 11).
3. Hang the machine on the metal rack (Fig. 12).



### Hook Installation

1. Confirm the installation of the expansion screw position, use the drill to punch  $\varnothing 60$  holes in the wall (Fig. 13).
2. Fix the hook (Fig. 14).
3. Hang the trigger gun and high-pressure hose on the hook (Fig. 15).



## Operating Instructions

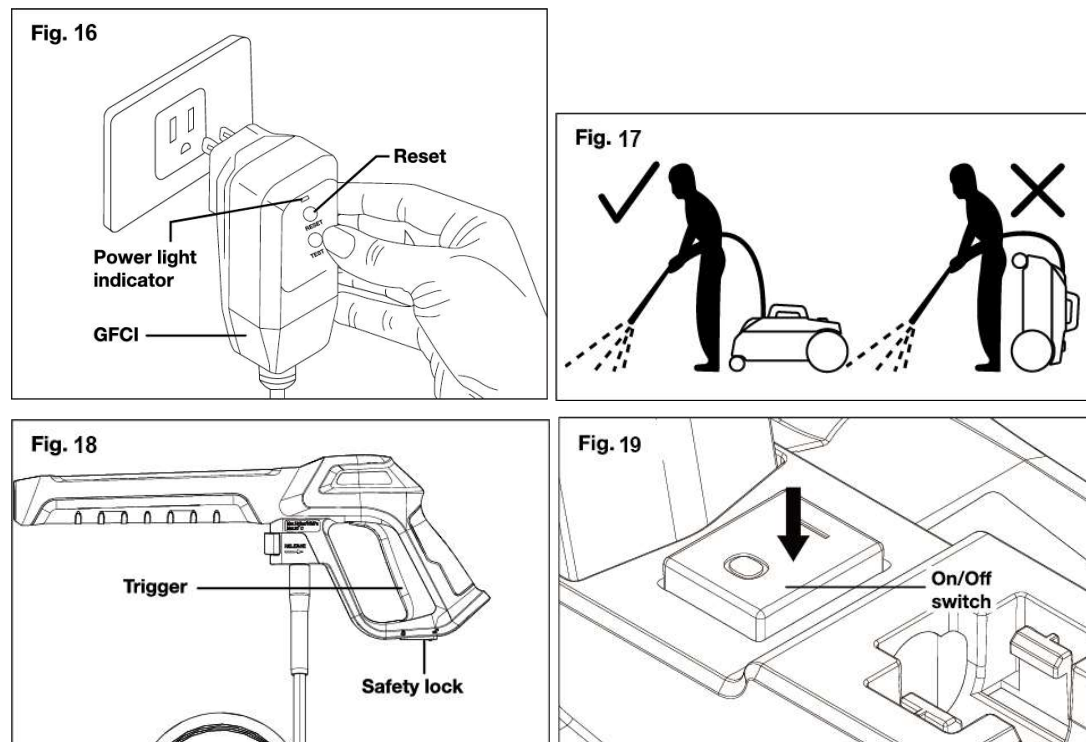
**IMPORTANT!** This pressure washer is equipped with a micro-switch sensitive to water flow. This Total Stop System (TSS) senses water flow in the pump. When the trigger is released, water stops flowing through the pump. The TSS then automatically turns the motor off to protect the pump from overheating, thus saving energy and prolonging pump life.

1. Check that the electrical supply voltage and frequency (Volt/Hz) correspond to those specified on the pressure washer rating plate. If the power supply is correct, you may now plug the pressure washer into the power outlet (Fig. 16).

**NOTE:** The GFCI may need to be reset when first plugged into the electric outlet. Press the "Reset" button until the power light indicator on the GFCI illuminates.

2. Position the washer as CLOSE as possible to the water supply.
3. The washer must be used on a secure and stable surface by towing horizontally, not vertically. (Fig. 17).
4. Turn the water supply tap on completely.
5. Unlock the safety lock, then press the trigger for a few seconds until the water flow is steady. Operating the pressure washer in this manner will allow air to escape and discharge residual pressure in the hose (Fig. 18). Release the trigger after all residual pressure is discharged.
6. Keeping the trigger pressed, push the switch to the ON (I) position to start the pressure washer (Fig. 19).
7. When re-starting the motor, always keep the trigger pressed.

**NOTE:** The motor only runs when the trigger is depressed and shuts off when the trigger is released.



### Using the Quick-Connect nozzle

## ⚠WARNING

- High-pressure jets can be dangerous if subject to misuse. The jet must not be directed at persons, pets, live electrical equipment, or the appliance itself.
  1. Use the 15° fan-tip nozzle (yellow) for intense cleaning jobs on hard surfaces. Applications include stripping paint, removing oil stains, grease, heavy mildew stains, and rust from steel. This nozzle should only be used in areas that can withstand the high-pressure from this nozzle.
  2. Use the 40° wide-spray tip nozzle (gray) to clean items such as cars, trucks, boats, patio furniture, or lawn equipment.
- Do not make changes to the nozzle while the trigger is engaged. Doing so could result in damage to the pressure washer or injury to the user.

## Working with Detergent

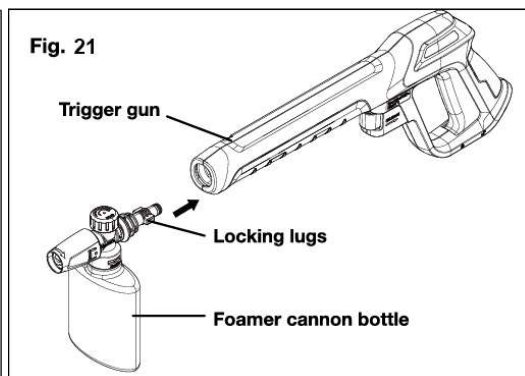
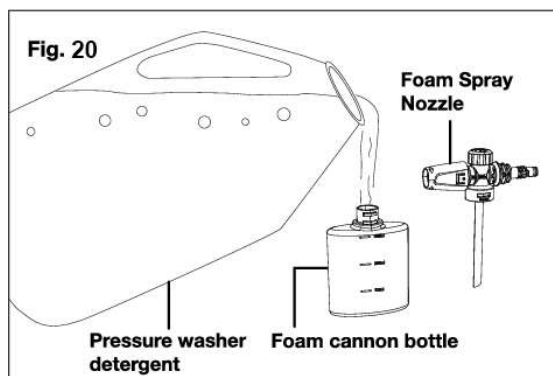
When cleaning with the pressure washer, some cleaning tasks can be solved with water alone, but for most tasks, cleaning with detergent allows for more effective dirt removal.

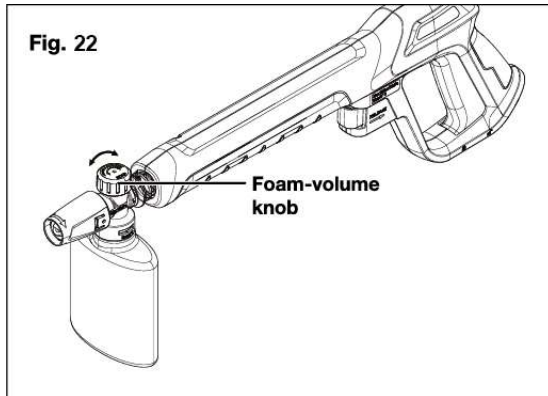
For additional cleaning power, the unit comes equipped with a foam cannon.

## ⚠WARNING

- Use only detergents specifically designed for use with pressure washers. **DO NOT USE** household detergents, acids, alkaline solutions, bleaches, solvents, flammable material, or industrial-grade solutions. These could damage the pressure washer. Many detergents may require mixing prior to use. Prepare the cleaning solution as instructed on the solution bottle.

1. Remove the foam spray nozzle, and fill the foam cannon bottle with detergent designed specifically for use with pressure washers (Fig. 20).
2. Recap the foam cannon bottle, and attach it to the trigger gun. Using the locking lugs, twist clockwise to lock each component in place (Fig. 21).
3. The foam cannon bottle is equipped with a foam-volume knob. Follow the instructions as shown to use the foam volume knob (Fig. 22).





4. Apply detergent from the bottom to the top of the dry surface to be cleaned. Applying detergent in this manner will dissolve dirt most effectively.

**NOTE:** Wetting the surface first is not recommended as it dilutes the detergent and reduces its cleaning ability.

**⚠ CAUTION**

- Always test the detergent in an inconspicuous area before use.

5. Allow the detergent to remain on the surface for a short time before rinsing with the pressure washer. Do not allow the detergent to dry on the surface.

**⚠ CAUTION**

- Damage may occur to painted surfaces if the detergent is allowed to dry on the surface. Wash and rinse a small section at a time. Avoid working on hot surfaces or in direct sunlight.

6. Rinse with clean water. When working on a vertical surface, wash from the bottom up, then rinse from the top down to avoid streaking. Hold the nozzle 6-8 inches away from the work surface at a 45° angle.

**IMPORTANT! NEVER USE:**

- Bleach, chlorine products, and other corrosive chemicals
- Liquids containing solvents (e.g. paint thinners, gasoline, oils)
- Tri-sodium phosphate products
- Ammonia products
- Acid-based products

These chemicals will harm the unit and will damage the cleaning surface.

**Shutting down**

When cleaning with the pressure washer, some cleaning tasks can be solved with water alone, but for most tasks, cleaning with detergent allows for more effective dirt removal.

1. Push the switch to the OFF (0) position and unplug the power cord from the outlet.

2. Turn off the water source.
3. Hold the trigger to release water pressure.
4. Disconnect the garden hose from the water inlet on the unit.
5. Disconnect the high-pressure hose connection on the trigger gun handle.
6. Release the trigger and engage the gun safety lock.

### ⚠WARNING

- Turn off the water supply and squeeze the trigger to depressurize the unit. Failure to do so could result in personal injury due to discharge of high-pressure water.

### Taking a break

If you are taking a break of five minutes or more between cleaning tasks:

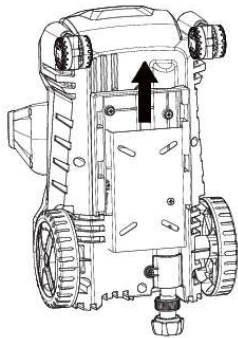
1. Engage the gun safety lock (Fig. 18).
2. Push the switch to the OFF (0) position.
3. Unplug the power cord from the outlet.

### After Each Use

#### ⚠CAUTION

- Always store your pressure washer in a location where the temperature will not fall below 32°F (0°C). The pump in this machine is susceptible to permanent damage if it freezes. **FREEZE DAMAGE IS NOT COVERED BY THE WARRANTY.** After use, the pressure washer must be removed from the rack and stored indoors (Fig. 23).

Fig. 23



- Store the pressure washer indoors in a dry, covered area where it is not subject to adverse weather conditions.
- It is important to store this product in a frost-free area.
- Always empty water from all hoses, the pump, and the detergent bottle (if using) before storing.

#### ⚠CAUTION

- The use of a pump protector is recommended to prevent cold weather damage during storage over the winter months.



## Winterizing + long-term storage

If you must store your pressure washer in a location where the temperature falls below 32°F (0°C), you can minimize the chance of damage to your machine by utilizing the following procedure:

- Disconnect all water connections.
- Turn on the machine for a few seconds until the remaining water in the pump exits. Turn off immediately.
- Do not allow the high-pressure hose to become kinked.
- Store the machine and accessories in a room that does not reach freezing temperatures.
- Do not store near a furnace or other sources of heat that may dry out the pump seals.
- Operate the pressure washer with non-corrosive/non-toxic anti-freeze, a pump saver, or a pump protector before storing for the winter.

### ⚠WARNING

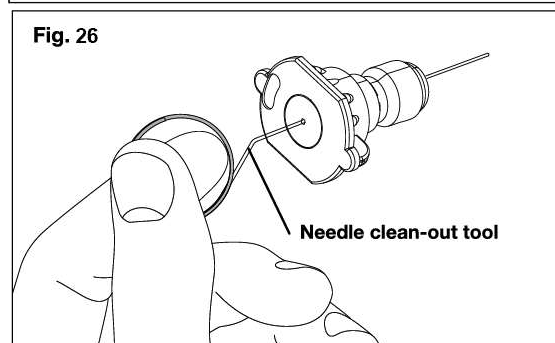
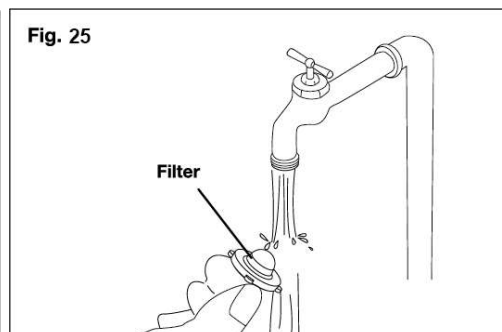
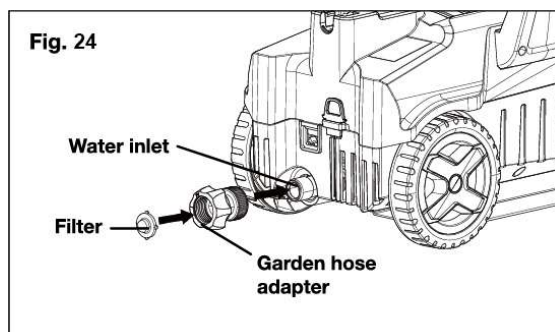
- Before reusing, completely flush the unit out with clear water. Anti-freeze products can damage paintwork, so you must ensure there is no anti-freeze left in the system before using it again.

## Maintenance

### ⚠CAUTION

- Before working on the pressure washer, switch off the unit and disconnect the plug from the power supply socket.

1. To ensure good performance, check and clean the filter (Fig. 24). Remove garden hose adapter and the filter. Rinse the filter with warm water to prevent any foreign matter from clogging the pump (Fig. 25).
2. Clean the nozzle with the needle clean-out tool provided (Fig. 26). Remove the spray wand from the gun; remove any dirt from the nozzle hole and rinse.



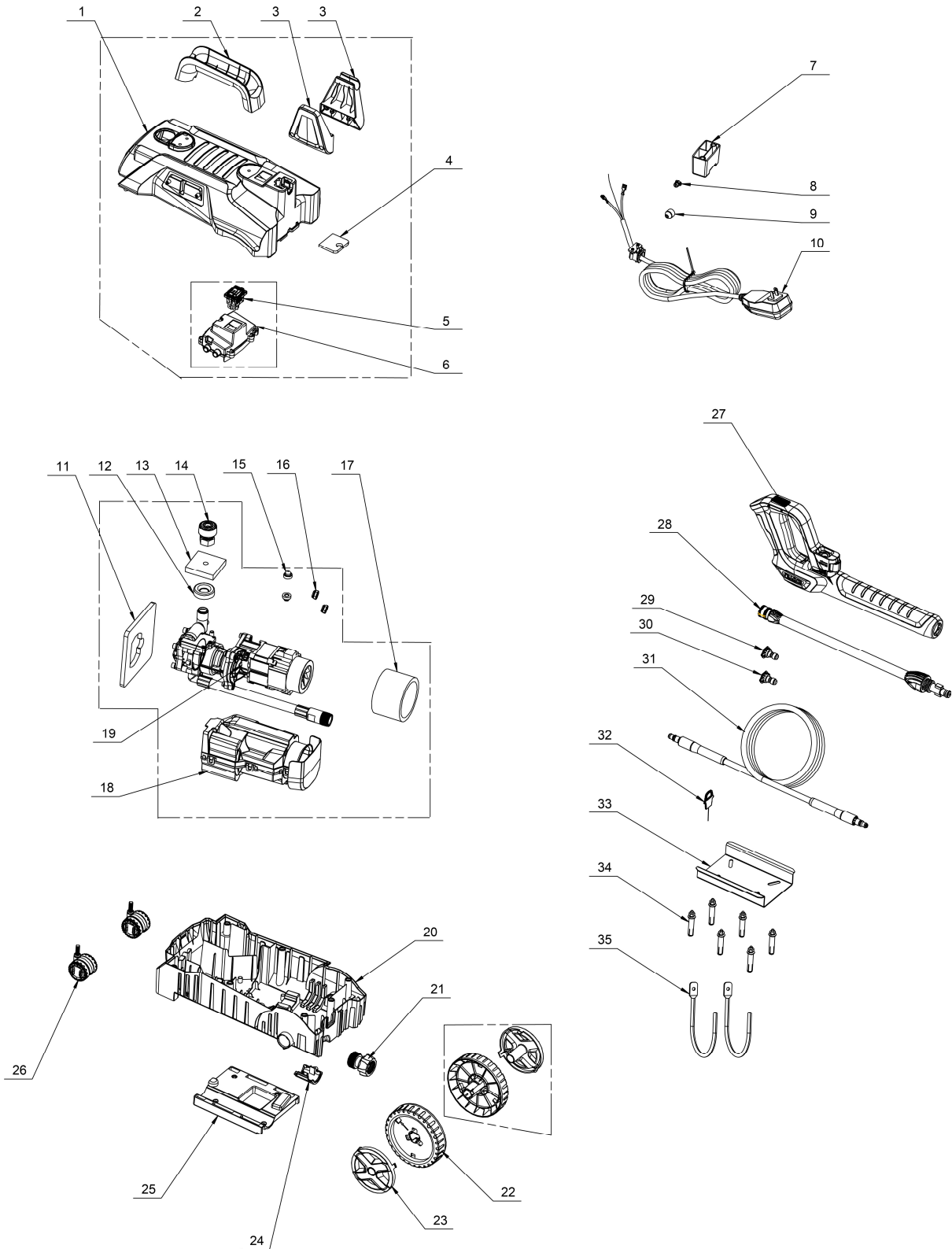
## Troubleshooting

- Disconnect the unit from the electrical power supply before carrying out maintenance on the machine or when checking that its parts are in proper working order.
- To avoid unnecessary hassles, consult the following table before contacting customer service with any mechanical issues.

Failure	Possible Cause	Corrective Action
Machine refuses to start	• Power failure/machine not plugged into a working receptacle.	• Check to make sure machine is plugged into a working outlet.
	• Defective socket.	• Check the power cord and reset the GFCI. Try a different outlet.
	• Fuse has blown.	• Replace fuse. Switch off any other machines that are using the same circuit.
Fluctuating pressure	• Pump sucking air.	• Check the hoses and connections are airtight.
	• Valves dirty, worn out, or stuck.	• Clean or replace valves/seals.
	• Pump seals worn out.	• Please call the customer service center for assistance.
Machine stops	• Fuse has blown.	• Replace fuse. Switch off other machines using the same circuit.
	• Incorrect mains voltage.	• Check that the mains voltage corresponds to specification on the model tag.
	• Thermal sensor activated.	• Leave the washer for 5 minutes to cool down.
	• Nozzle partially blocked.	• Clean the nozzle.
Fuse blows	• Fuse too small.	• Install a fuse with a higher amp rating than the amp consumption of the machine.
Machine pulsating	• Air in inlet hose.	• Allow machine to run by holding the trigger until regular working pressure resumes.
	• Inadequate supply of mains water.	• Check that the water supply corresponds to the specifications required. WARNING! Avoid using long, thin hoses (minimum 1/2 in. diameter).
	• Nozzle partially blocked.	• Clean the nozzle.
	• Water filter blocked.	• Clean the water inlet filter.
	• Hose kinked.	• Straighten out the hose to remove any kinks/blockages.
Machine often	• Pump/spray gun is leaking.	• Please call the customer service center

starts and stops by itself	<ul style="list-style-type: none"> <li>• Trigger mechanism is broken.</li> </ul>	for assistance.
Machine starts, but no water comes out	<ul style="list-style-type: none"> <li>• Pump/hoses or accessories frozen.</li> </ul>	<ul style="list-style-type: none"> <li>• Wait for pump/hoses or accessories to thaw.</li> </ul>
	<ul style="list-style-type: none"> <li>• No water supply.</li> </ul>	<ul style="list-style-type: none"> <li>• Connect inlet water.</li> </ul>
	<ul style="list-style-type: none"> <li>• Water inlet filter blocked.</li> </ul>	<ul style="list-style-type: none"> <li>• Clean the water inlet filter.</li> </ul>
	<ul style="list-style-type: none"> <li>• Nozzle blocked.</li> </ul>	<ul style="list-style-type: none"> <li>• Clean the nozzle.</li> </ul>

# Parts Diagram



## Parts List

Reference	Part Number	Part Description	Quantity
1	614731101	Upper Cover	1
2	614731102	Handle	1
3	614731103	Lance Holder	1+1
4	614731104	Waterproof Pad	1
5	614731105	Switch	1
6	614731106	Switch Box Assembly	1
7	614731107	Motor Cover Bracket	1
8	614731108	Waterproof Plug	1
9	614731109	Waterproof Cap	1
10	614731110	Power Cord Assembly	1
11	614731111	Front Motor Filter	1
12	614731112	Sealing Ring	1
13	614731113	Filter	1
14	614731114	Qk-Connect-Assy	1
15	614731115	Damping-Mat	2
16	614731116	Waterproof Rubber	2
17	614731117	Rear-Motor-Filter	1
18	614731118	Motor Windshield Assy	1
19	614731119	Motor pump Assy	1
20	614731120	Bottom Base	1
21	614731121	Water Inlet Adaptor	1
22	614731122	Wheel	2
23	614731123	Wheel Cover	2
24	614731124	Inlet Fixed Cover	1
25	614731125	Body Support Frame	1
26	614731126	Universal-Wheel	2
27	614731127	Gun Handle	1
28	614731128	Spray Lance Assy	1
29	614731129	QC nozzle 15°	1
30	614731130	QC nozzle 40°	1
31	614731131	High Pressure Tube	1
32	614731132	Nozzle Cleaner	1
33	614731133	Metal Frame	1
34	614731134	Expansion Screw	6
35	614731135	Hook	2

## Replacement Parts

- For replacement parts and technical questions, please call Customer Service at **1-800-222-5381**.
- Not all product components are available for replacement. The illustrations provided are a convenient reference to the location and position of parts in the assembly sequence.
- When ordering parts, the following information will be required: item description, item model number, item serial number/item lot date code, and the replacement part reference number.
- The distributor reserves the rights to make design changes and improvements to product lines and manuals without notice.

## Limited Warranty

Northern Product and Equipment Company, Inc. ("We" or "Us") warrants to the original purchaser only ("You" or "Your") that the Powerhorse product purchased will be free from material defects in both materials and workmanship, normal wear and tear excepted, for a period of one year from date of purchase. The foregoing warranty is valid only if the installation and use of the product is strictly in accordance with product instructions. There are no other warranties, express or implied, including the warranty of merchantability or fitness for a particular purpose. If the product does not comply with this limited warranty, Your sole and exclusive remedy is that We will, at our sole option and within a commercially reasonable time, either replace the product or product component without charge to You or refund the purchase price (less shipping). This limited warranty is not transferable.

### Limitations on the Warranty

This limited warranty does not cover: (a) normal wear and tear; (b) damage through abuse, neglect, misuse, or as a result of any accident or in any other manner; (c) damage from misapplication, overloading, or improper installation; (d) improper maintenance and repair; and (e) product alteration in any manner by anyone other than Us, with the sole exception of alterations made pursuant to product instructions and in a workmanlike manner.

### Obligations of Purchaser

You must retain Your product purchase receipt to verify date of purchase and that You are the original purchaser. To make a warranty claim, contact Us at 1-800-222-5381, identify the product by make and model number, and follow the claim instructions that will be provided. The product and the purchase receipt must be provided to Us in order to process Your warranty claim. Any returned product that is replaced or refunded by Us becomes our property. You will be responsible for return shipping costs or costs related to Your return visit to a retail store.

### Remedy Limits

Product replacement or a refund of the purchase price is Your sole remedy under this limited warranty or any other warranty related to the product. We shall not be liable for: service or labor charges or damage to Your property incurred in removing or replacing the product; any damages, including, without limitation, damages to tangible personal property or personal injury, related to Your improper use, installation, or maintenance of the product or product component; or any indirect, incidental or consequential damages of any kind for any reason.

### Assumption of Risk

You acknowledge and agree that any use of the product for any purpose other than the specified use(s) stated in the product instructions is at Your own risk.

### Governing Law

This limited warranty gives You specific legal rights, and You also may have other rights which vary from state to state. Some states do not allow limitations or exclusions on implied warranties or incidental or consequential damages, so the above limitations may not apply to You. This limited warranty is governed by the laws of the State of Minnesota, without regard to rules pertaining to conflicts of law. The state courts located in Dakota County, Minnesota shall have exclusive jurisdiction for any disputes relating to this warranty.

# POWER HORSE®

Distributed by:

Northern Product & Equipment Company, Inc.

Burnsville, Minnesota 55306

[www.northernproduct.com](http://www.northernproduct.com)

Made in China