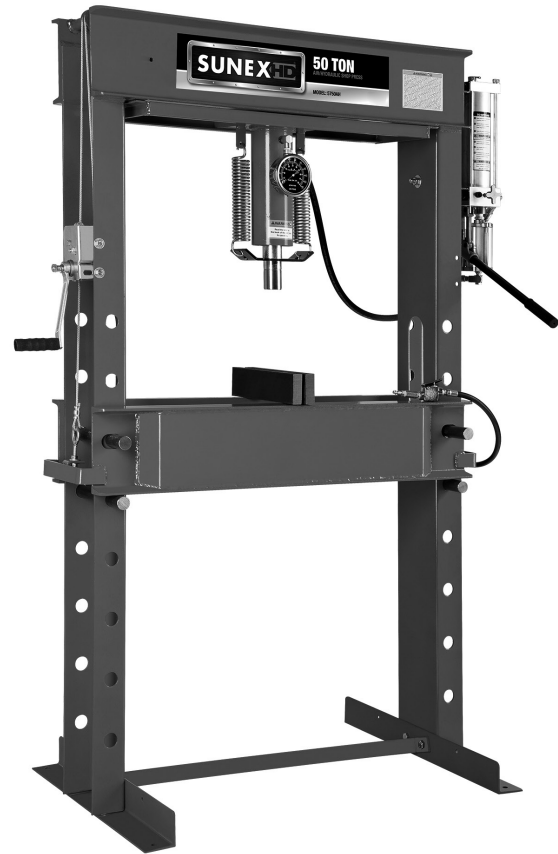
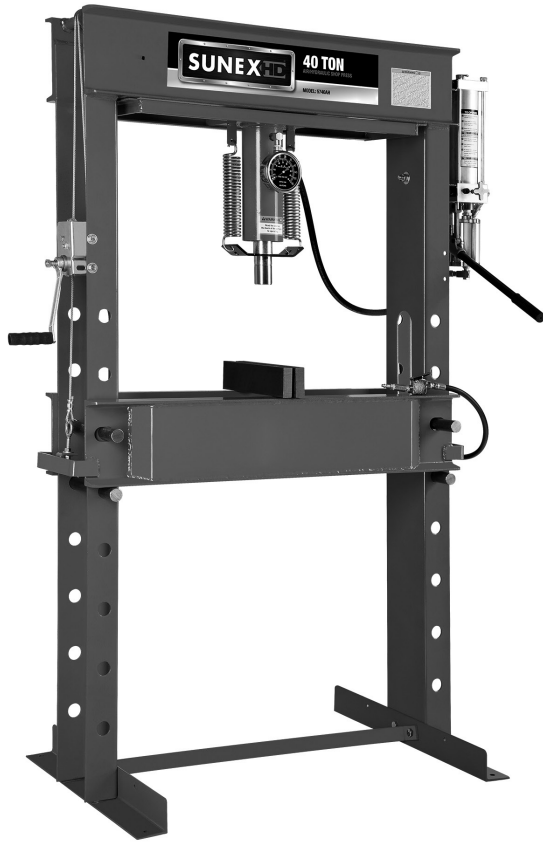


## OWNER'S MANUAL

### CONTENTS:

- Page 1 Specifications  
2 Safety Information and Warranty Information  
3 Parts List  
4-6 Assembly Instructions  
7 Pump and Ram Assembly Instructions  
8 Procedure for Bleeding Air  
9 Pump Instructions  
10-11 Winch Kit Parts List and Winch Installation Instructions  
12 Replacement Parts List



### PRESS SPECIFICATIONS

Sunex Part No.	Total Height	Inside Width	Press Feet Length	Bed Width	Ram Stroke	Pin Diameter	PB Winch	Sliding Head	Press Plates Included
5740AH	74"	35"	29.75"	8.25"	6"	1.25"	Y	Y	Y(2)
5750AH	74"	35"	29.75"	8.25"	6"	1.25"	Y	Y	Y(2)

## SAFETY INFORMATION



THIS OPERATING MANUAL CONTAINS IMPORTANT SAFETY INFORMATION. READ CAREFULLY AND UNDERSTAND ALL INFORMATION BEFORE OPERATING THIS TOOL. SAVE THIS MANUAL FOR FUTURE USE.

### WARNING

This symbol alerts you to the possibility of serious injury or death if instructions are not followed.

### CAUTION

This symbol alerts you to the possibility of damage to or destruction of equipment if instructions are not followed.

### WARNING

Failure to heed these warnings may result in loss of load, damage to the press and/or failure resulting in property damage, personal or fatal injury. This operating manual contains important details concerning the safe operation of this tool. The user must read and understand these details before any use of the tool. This manual must be retained for future reference.

- Read, study, understand and follow all instructions before operating this press.
- Always wear safety goggles, (users and bystanders).
- Parts being pressed may splinter, shatter, or be ejected from the press at a dangerous rate of speed. Because there are a variety of press applications, it is the responsibility of the press owner to provide adequate guards, eye protection and protective clothing to the press operator.
- Visual inspection of the press should be made before use, checking for signs of cracked welds, bent bed pins, loose or missing bolts, leaks, or any other structural damage. Corrections must be made before using the press.
- Do not go near leaks. High pressure hydraulic fluid can puncture skin and cause serious injury, gangrene, or death. If injured, seek emergency medical help as immediate surgery is required to remove the fluid.
- Prior to use make sure the press is securely anchored to a concrete floor.
- Keep hands, arms, feet, and legs out of work area. Accidental slippage can result in personal injury.
- Always use an accurate force gauge to measure pressing force.
- Do not exceed the rated capacity or tamper with the pressure/force settings. When attachments and adapters are used the rated capacity of the system shall be no greater than the rated capacity of the lowest rated component or combination of components that make up the system.
- Avoid off-center loads. Offset loads can damage ram and may cause load to eject at a dangerous rate of speed. Do not use any spacer or extender between the press ram plunger and the item being pressed. If there is not enough ram stroke, adjust the height of the movable bolster.
- Remove all loads from movable bolster before attempting to adjust bolster height. Beware of possible falling bolster.
- Press only on loads supported by movable bolster and press plates included. Do not support loads on floor or press frame legs.
- When using any accessories such as press plates or arbor plates, be certain they are centered on the movable bolster and in full contact with both sides of the bolster.
- Before applying load, be certain all movable bolster supporting pins are fully engaged. Verify lift cables (if equipped) are slack before pressing on the bolster.
- Always use a bearing shield when pressing bearings.
- Use caution when positioning work to be pressed to ensure the item to be pressed cannot be ejected at a dangerous rate of speed.
- Release hydraulic pressure before loosening any fittings.
- Maintain proper hydraulic fluid levels.
- Do not make any alterations or modifications to the press.
- This product may contain one or more chemicals known to the State of California to cause cancer and birth defects or other reproductive harm. *Wash hands thoroughly after handling.*
- Failure to heed and understand these markings may result in serious or fatal personal injury and/or property damage.

**WARNING:** This product can expose you to chemicals including nickel, which is known to the State of California to cause cancer and birth defects or other reproductive harm. For more information go to [www.P65Warnings.ca.gov](http://www.P65Warnings.ca.gov).

### OWNER/USER RESPONSIBILITY

The owner and/or user must have an understanding of the manufacturer's operating instructions and warnings before using this press. Personnel involved in the use and operation of equipment shall be careful, competent, trained, and qualified in the safe operation of the equipment and its proper use when servicing motor vehicles and their components. Warning information should be emphasized and understood.

If the operator is not fluent in English, the manufacturer's instructions and warnings shall be read to and discussed with the operator in the operator's native language by the purchaser/owner, making sure that the operator comprehends its contents.

Owner and/or user must study and maintain for future reference the manufacturer's

instructions. Owner and/or user is responsible for keeping all warning labels and instruction manuals legible and intact. Replacement labels and literature are available from the manufacturers.

### INSPECTION

Visual inspection of the shop press should be made before each use of the press, checking for damaged, loose or missing parts. Each press must be inspected by a manufacturer's repair facility immediately, if subjected to an abnormal load or shock. Any press which appears to be damaged in any way, is found to be badly worn, or operates abnormally must be removed from service until necessary repairs are made by a manufacturer's authorized repair facility. It is recommended that an annual inspection of the press be made by a manufacturer's authorized repair facility and that any defective parts, decals or warning labels be replaced with manufacturer's specified parts. A list of authorized repair facilities is available from the manufacturer.

### SAFETY INSTRUCTIONS

- CHECK YOUR LOCAL, STATE AND FEDERAL REGULATIONS REGARDING THE SAFE USE OF THIS EQUIPMENT.
- Your safety is top priority. Please handle equipment with care.
- Fully retract unit and remove all items from the press bed frame.
- Support the press bed, and remove the pins.
- Raise or lower bed to desired height and reinstall press pins. Be certain pins are fully engaged in the parallel flanges of the upright columns.
- Position press on a flat, level, hard surface, preferably concrete. Make sure all nuts and bolts are tight.
- Clear the area of bystanders, especially small children, before using.
- Set the press bed to the required height. The press is most effective when the work piece is located 1 inch below the ram's retracted position. The compression stroke can include the entire 5 inch working range.
- The press is designed to exert a force on anything which is positioned beneath its ram. The work piece can pop out from under the ram at a high rate of speed and injure someone.
- Pressing Bearings: It is essential that you use the bearing shield when pressing bearings on or off.

### LIMITED WARRANTY:

SUNEX INTERNATIONAL, INC. WARRANTS TO ITS CUSTOMERS THAT THE COMPANY'S SUNEX TOOLS® BRANDED PRODUCTS ARE FREE FROM DEFECTS IN WORKMANSHIP AND MATERIALS.

Sunex International, Inc. will repair or replace its Sunex Tools® branded products which fail to give satisfactory service due to defective workmanship or materials, based upon the terms and conditions of the following described warranty plans attributed to that specific product. This product carries a ONE-YEAR warranty. During this warranty period, Sunex Tools® will repair or replace at our option any part or unit which proves to be defective in material or workmanship.

#### Other important warranty information....

This warranty does not cover damage to equipment or tools arising from alteration, abuse, misuse, damage and does not cover any repairs or replacement made by anyone other than Sunex Tools® or its authorized warranty service centers. The foregoing obligation is Sunex Tools® sole liability under this or any implied warranty and under no circumstances shall we be liable for any incidental or consequential damages. **Note: Some states do not allow the exclusion or limitation of incidental or consequential damages, so the above limitation or exclusion may not apply to you.**

Return equipment or parts to Sunex Tools®, transportation prepaid. Be certain to include your name and address, evidence of the purchase date, and description of the suspected defect.

If you have any questions about warranty service, please write to Sunex Tools®. This warranty gives you specific legal rights and you may also have other rights which vary from state to state. Repair kits and replacement parts are available for many of Sunex Tools® products regardless of whether or not the product is still covered by a warranty plan.

#### SHIPPING ADDRESS:

Sunex Tools  
315 Hawkins Rd.  
Travelers Rest, South Carolina 29690

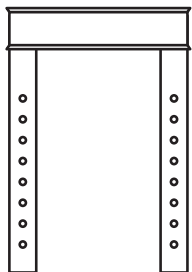
#### MAILING ADDRESS:

Sunex Tools  
P.O. Box 4215  
Greenville, South Carolina 29608

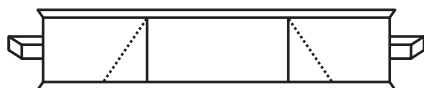
## PARTS LIST

ESTIMATED ASSEMBLY TIME: 30 MINUTES

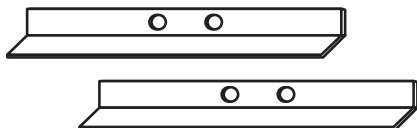
Press Frame - 1



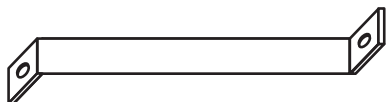
Press Bed - 1



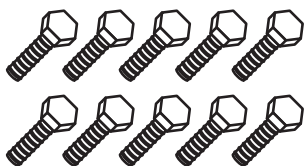
Press Feet - 2



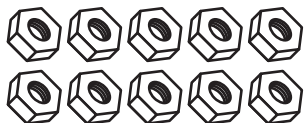
Z Bar - 1



1/2"-13 x 1-1/2"  
Hex Head Bolts - 10



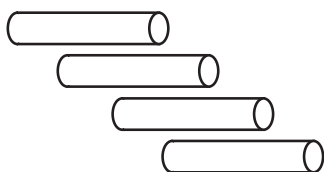
1/2" Nuts - 10



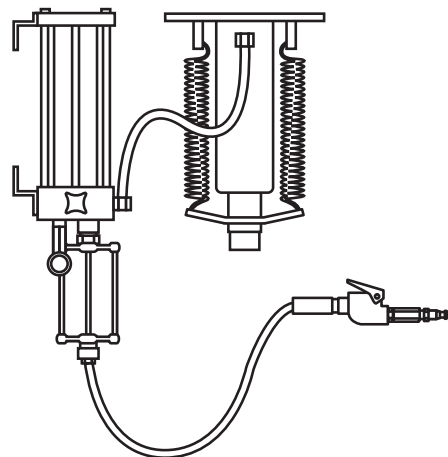
Washers - 10



1-1/4" x 14" Press Pins - 4



Air Motor  
Pump and Ram - 1

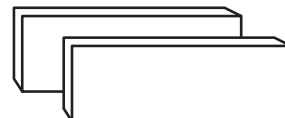


Pump Extension Handle - 1



## ACCESSORIES

1" x 3" x 14"  
Press Plates - 2  
*Accessory only -  
Not needed for assembly*



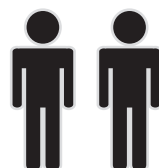
Pushing Adapter - 1  
*Accessory only -  
Not needed for assembly*



Bearing Shield - 1  
*Accessory only -  
Not needed for assembly*



## TOOLS NEEDED



3/4" and 9/16" sockets and wrenches

Examine box contents, then proceed with the following instructions.

## ASSEMBLY INSTRUCTIONS

**1**

Stand frame upside down

**2**

Slide bed onto frame

Slide bed down to bottom of frame

**Note:** In the upright position, inner bracing should form an inverted "v" with the narrower space facing the top of the press.

**⚠ WARNING**

Be aware of jagged edges on frame. Not all welds are smooth. Press bed can pinch or crush fingers. Wear safety gloves.

**3**

Inside of frame →

**⚠ WARNING**

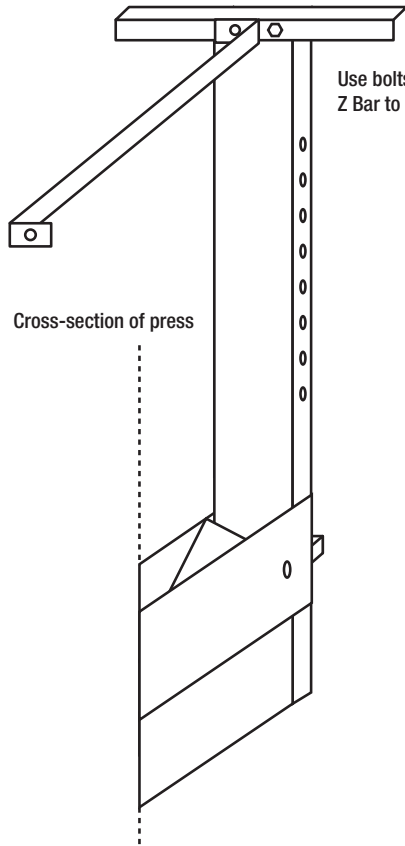
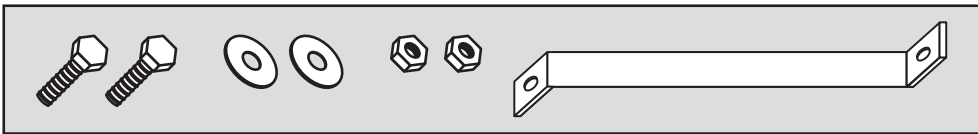
Leg ends and press feet are sharp and potentially dangerous. Wear safety gloves and safety goggles.

**Note:** Position press feet on each side of the press. Attach one bolt, washer and nut on each side. Bolts should be attached *OFFSET* from one another.

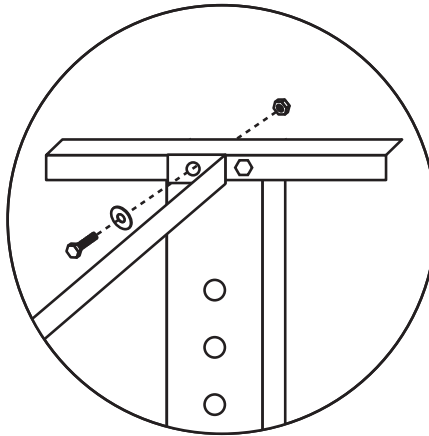
Front view

## ASSEMBLY INSTRUCTIONS CONTINUED

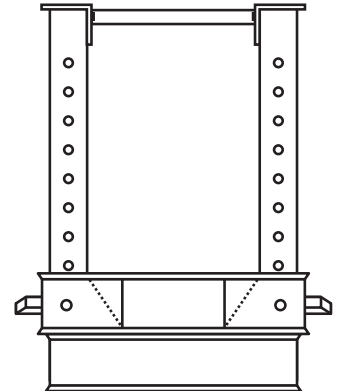
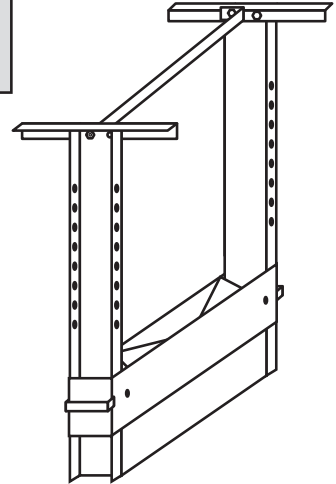
4



Use bolts, washers and nuts to attach Z Bar to both sides of the press.



**Note:** Check all bolts for tightness. If press rocks, or is not level, loosen press feet slightly to compensate and retighten.



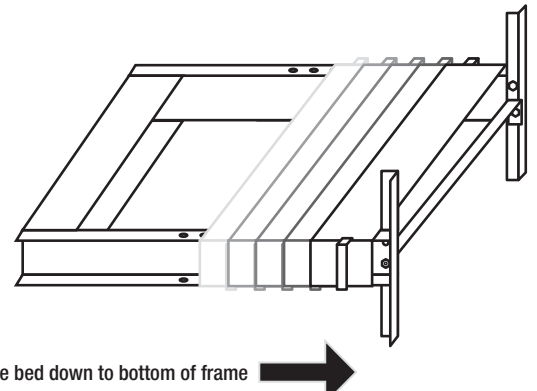
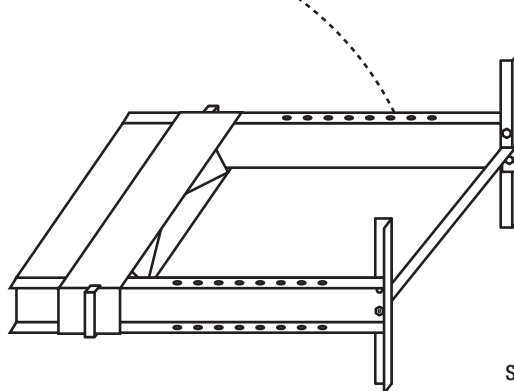
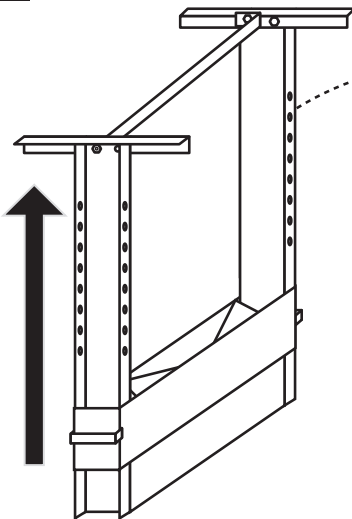
Front view

5

### ⚠ WARNING

Bed must be at the **BOTTOM** of the frame before proceeding to the next step.

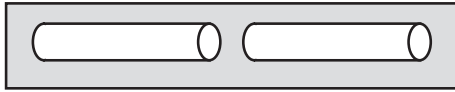
**Note:** When sliding bed to frame bottom, **DO NOT** use bed handles.



Slide bed down to bottom of frame

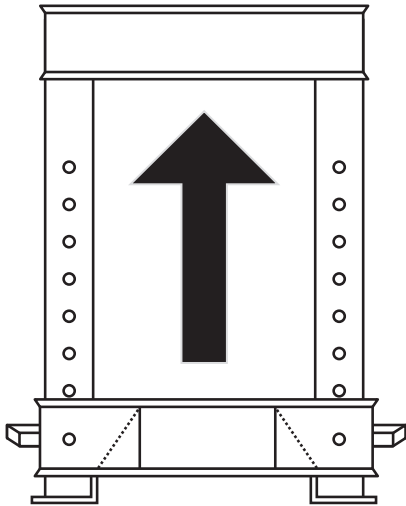
## ASSEMBLY INSTRUCTIONS CONTINUED

6

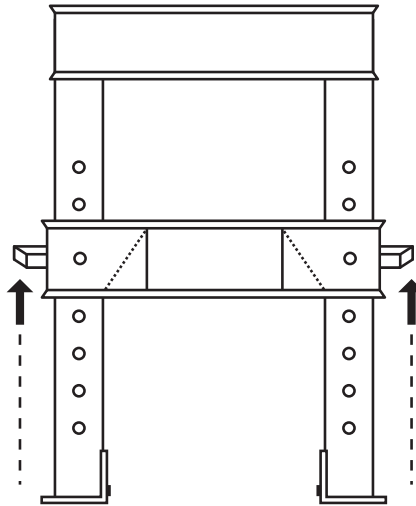


**WARNING**

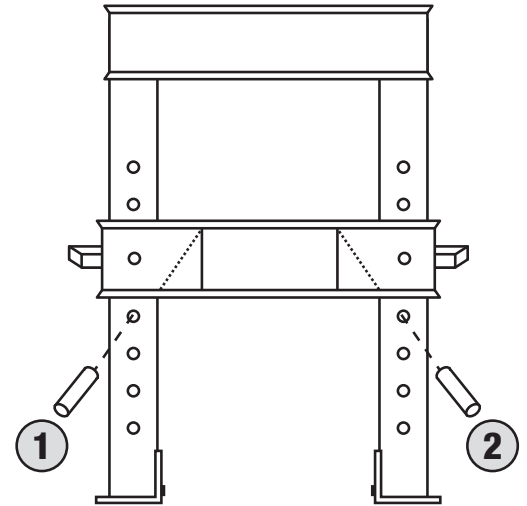
Pins must be COMPLETELY through BOTH SIDES of frame.



Stand unit upright

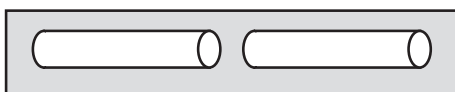


Slide bed above holes and *hold in place*



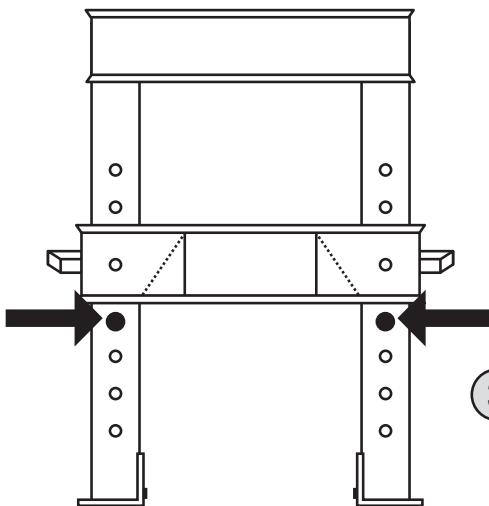
Secure pins underneath bed, one at a time

7

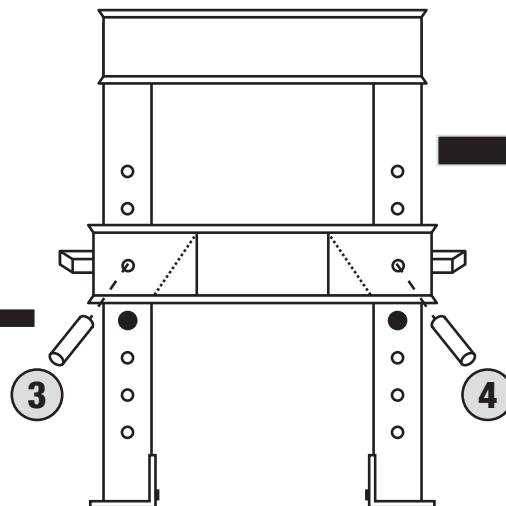


**WARNING**

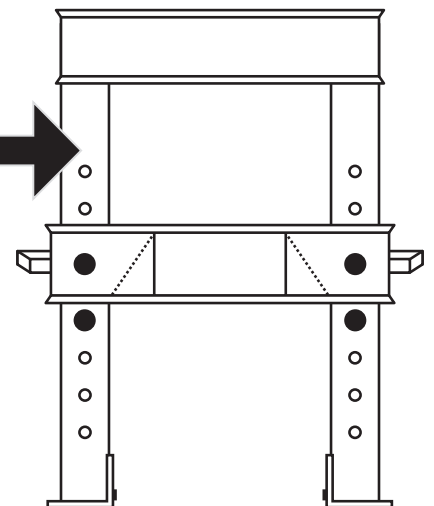
ALL FOUR (4) pins must be COMPLETELY through BOTH SIDES of frame in order to operate press.



Let bed rest on inserted pins



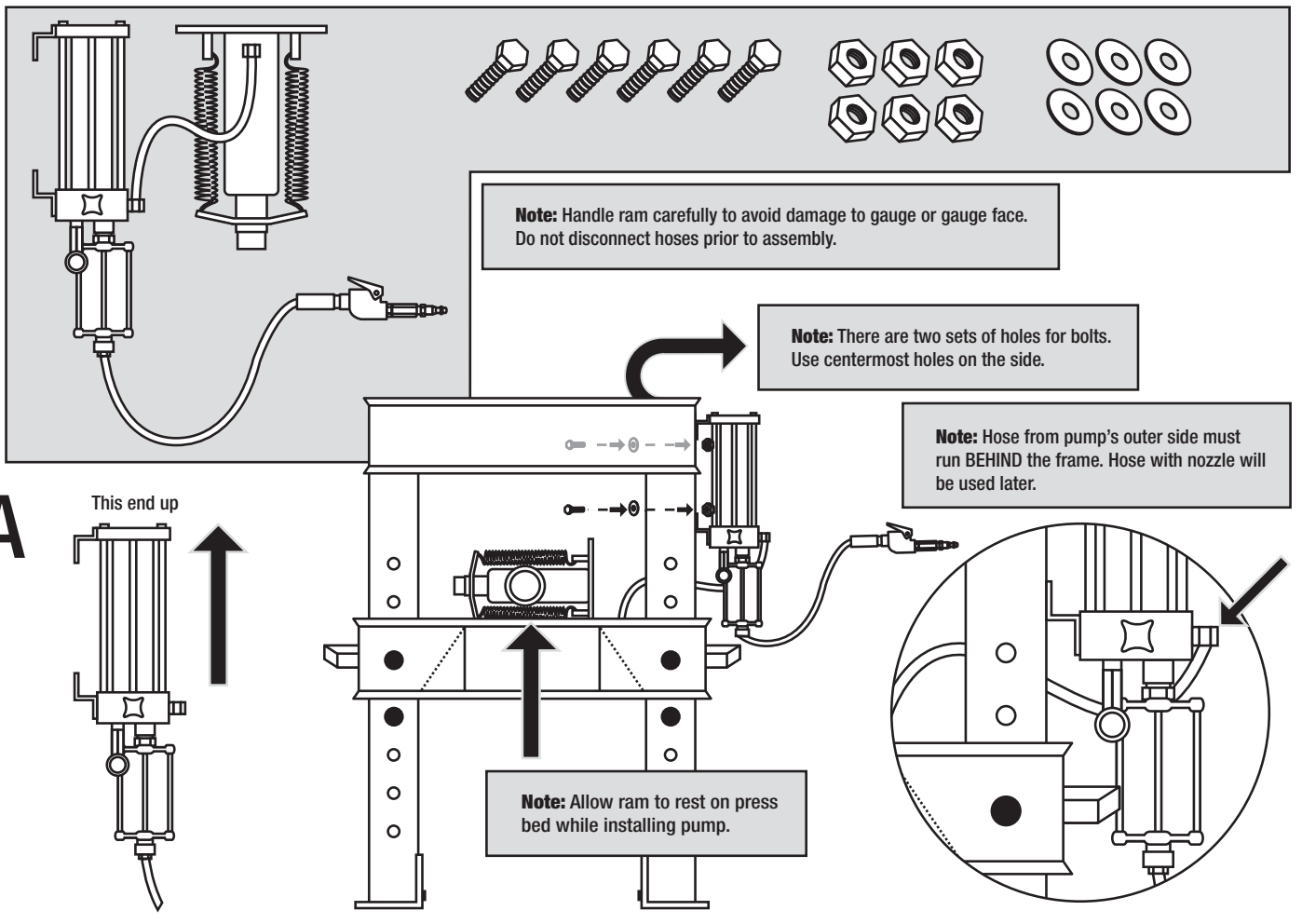
Place 3rd and 4th pin on each side



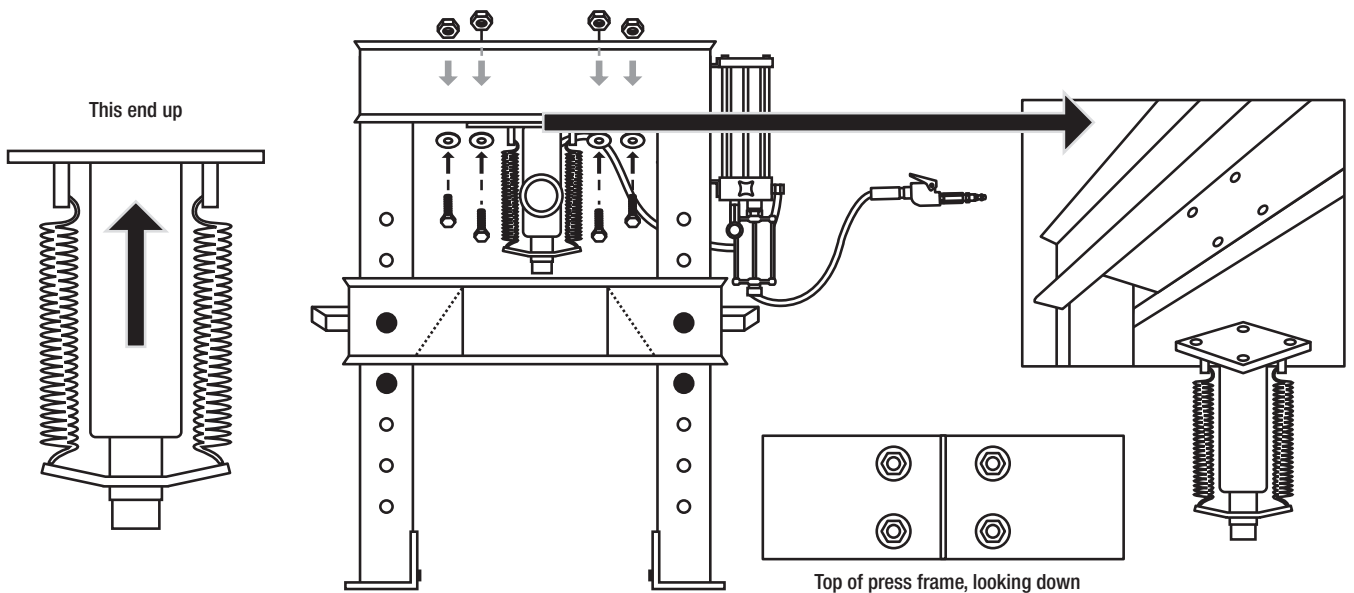
Secure pins completely through bed and frame.

## PUMP AND RAM ASSEMBLY INSTRUCTIONS

8



B

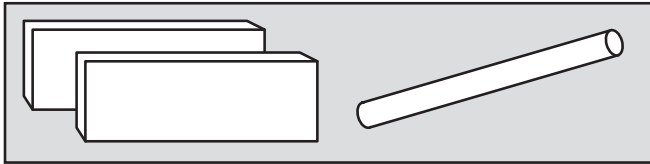


**⚠ WARNING**

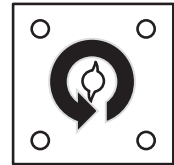
DO NOT attempt to operate pump unless the BREATHER VALVE IS OPEN. Valve is closed prior to shipping to prevent the loss of hydraulic fluid.

**PROCEDURE FOR BLEEDING AIR**

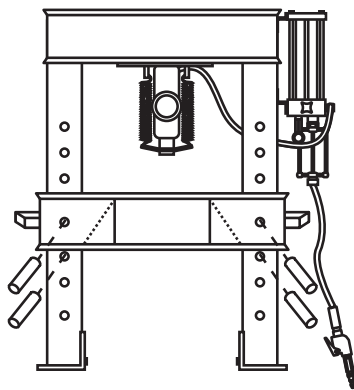
**9**



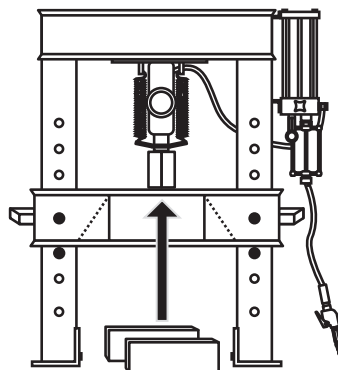
1. Turn valve handle on FRONT of pump CLOCKWISE until closed. DO NOT OVERTIGHTEN.



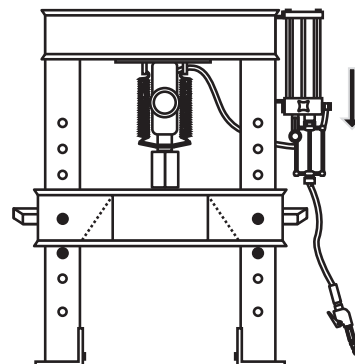
2. Turn petcock valve (breather) on TOP of pump COUNTERCLOCKWISE to open.



3. Move press bed into highest position and lock bed into place with all four pins.



4. Place press plates DIRECTLY under ram, on press bed.

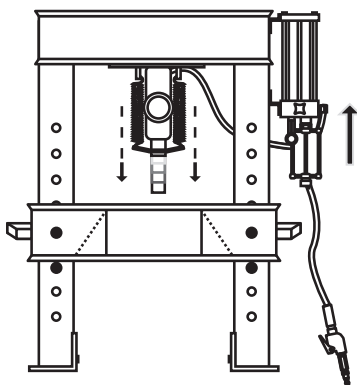


5. Put cradle in the DOWN position. Use an adapter on your air hose and allow air to flow through the opening in the petcock valve into the pump.

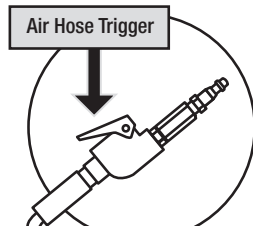
**Note:** Air motor must be operating at the same time.

**⚠ CAUTION**

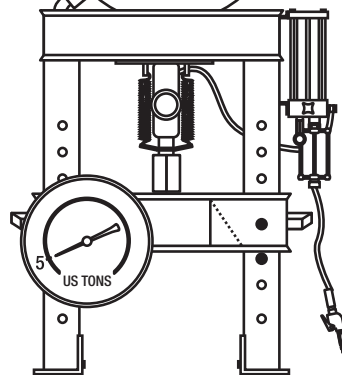
Bed must be in UP position, or you will over extend ram.



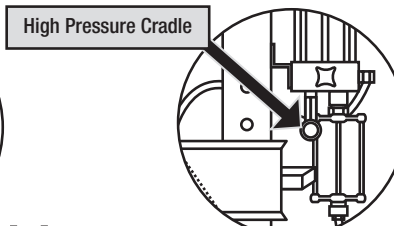
6. Air that has flowed into the pump causes the cradle to move up and the ram to move down. If this happens, proceed to step 7. If not, check all hoses and connections and repeat the procedure.



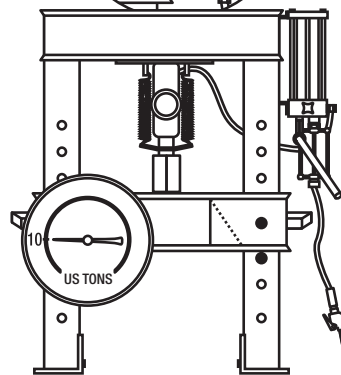
Air Hose Trigger



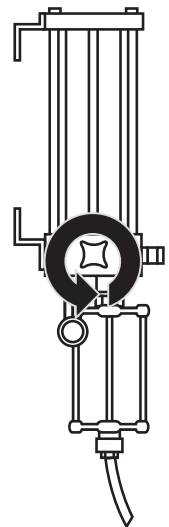
7. Squeeze trigger on air hose. Air will enter motor and extend the ram. Pump ram against press plates until gauge reads "5 Tons".



High Pressure Cradle



8. Insert pump handle into HIGH PRESSURE CRADLE for more precise control. Pump ram against press plates until gauge reads "10 Tons".



9. Turn valve handle on pump COUNTERCLOCKWISE a maximum of one (1) turn to open valve. Ram will retract as pressure is released.

**⚠ WARNING**

Do not allow the ram to extend more than 5.5".

## PUMP INSTRUCTIONS

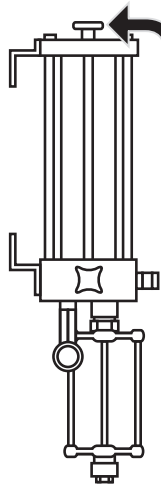
10

### **⚠ WARNING**

This symbol alerts you to the possibility of serious injury or death if instructions are not followed.

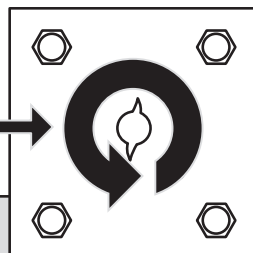
Failure to heed these warnings may result in loss of load, damage to the press and/or failure resulting in property damage, personal or fatal injury. This operating manual contains important details concerning the safe operation of this tool. The user must read and understand these details before any use of the tool.

This manual must be retained for future reference.



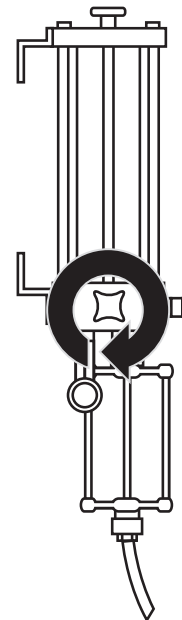
1. BEFORE OPERATING PUMP, open petcock valve (breather) located on TOP of pump assembly by turning COUNTERCLOCKWISE.

Top view of pump



### **⚠ WARNING**

DO NOT attempt to operate pump unless the BREATHER VALVE IS OPEN. Valve is closed prior to shipping to prevent the loss of hydraulic fluid.

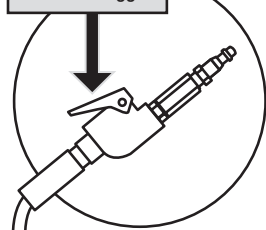


2. CLOSE the valve located on the FRONT of the pump assembly by turning CLOCKWISE. Connect using a 3/8" line. Do not exceed air pressure of 90-120 psig.

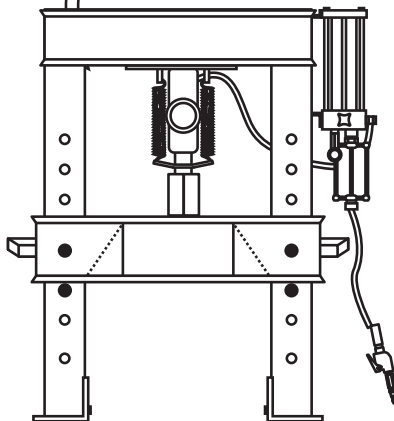
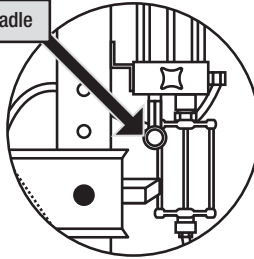
### **⚠ CAUTION**

HAND TIGHTEN VALVE ONLY. Excess pressure could damage the valve assembly.

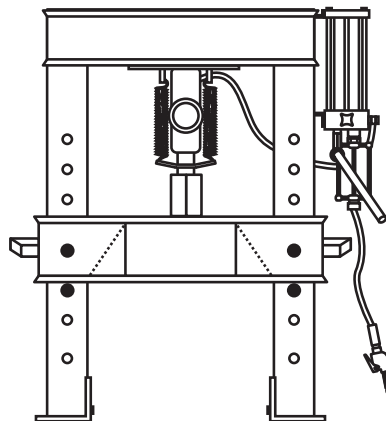
Air Hose Trigger



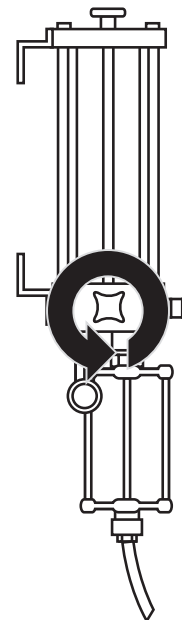
High Pressure Cradle



3. Squeeze air hose trigger until ram comes into contact with item to be pressed.



4. Once ram is in contact with the item to be pressed, insert pump handle into high pressure cradle. Using the high pressure pump moves the ram less with each stroke and requires less effort to apply pressure.

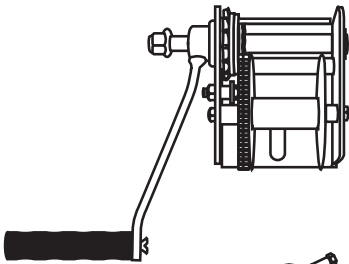








### **⚠ CAUTION**

DO NOT TURN RELEASE VALVE MORE THAN ONE FULL TURN or equipment may be disabled.

5. To relieve pressure and retract ram, turn valve located on FRONT of pump assembly ONE FULL TURN COUNTERCLOCKWISE.

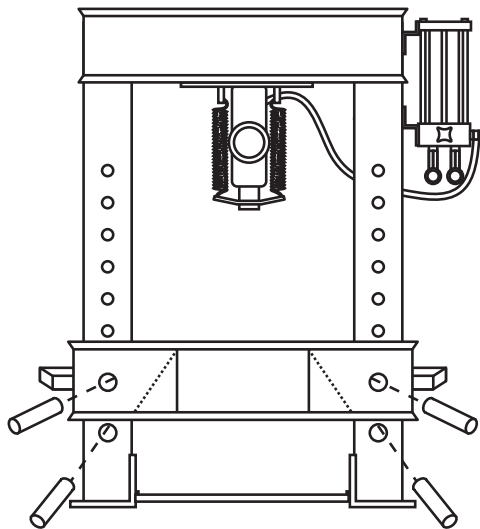
## WINCH KIT PARTS LIST

Winch - 1		Cable Clamp - 1	
Long Cable - 1		1/2"-13 x 1-1/2" Hex Head Bolts - 2	
Short Cable- 1		1/2" Nuts - 2	
		Washers - 2	

## WINCH INSTALLATION INSTRUCTIONS

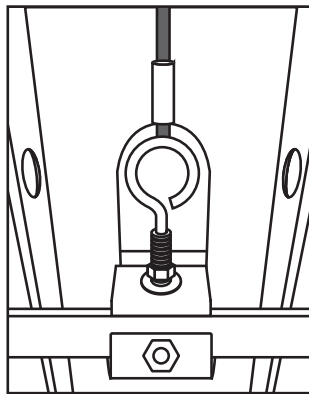
12

-  Dark Gray- Long Cable
-  Light Gray- Short Cable



1. Move press bed into LOWEST position so it is resting on top of pins 1 and 2.

Right side of press,  
under pump assembly

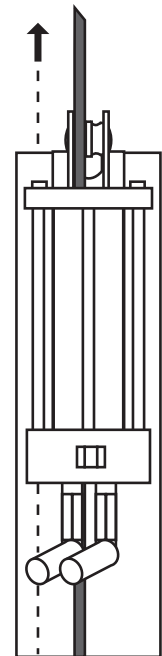


2. Install pre-attached eye bolt on LONGER cable to press bed handle located *under pump assembly*. DO NOT FULLY TIGHTEN. Center with side of press bed and make sure there is enough room to lower or raise both nuts on eye bolt for precise alignment.

**WARNING**

DO NOT FULLY TIGHTEN.

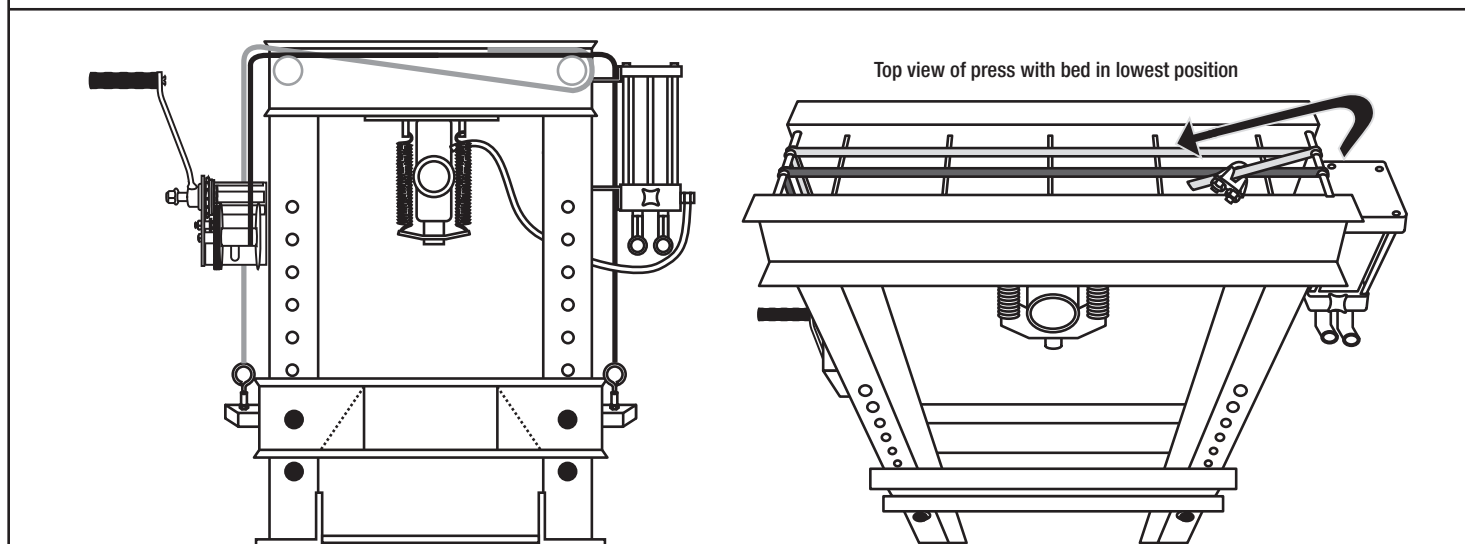
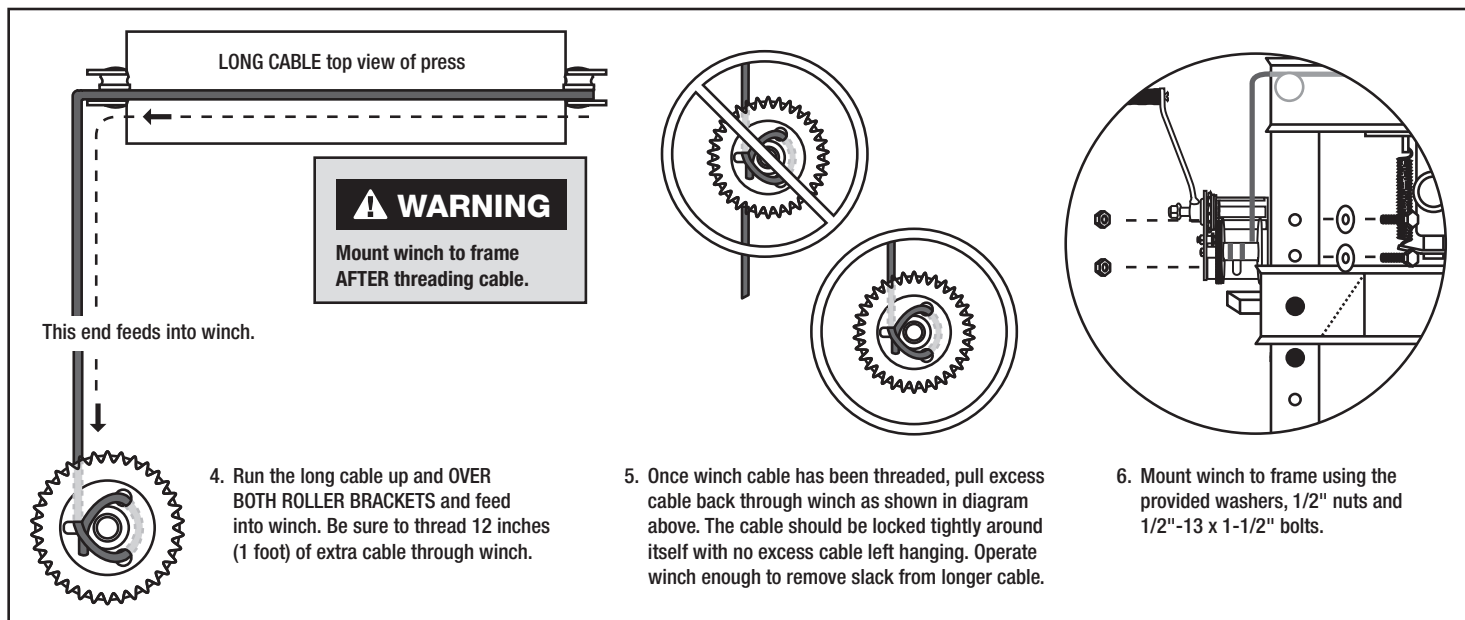
Right side of press



3. Thread the BARE end of the LONGER of the two steel cables up and through the pump bracket.

**Note:** Refer to manual from winch manufacturer for detailed instructions on winch assembly and cable threading procedure.

## WINCH INSTALLATION INSTRUCTIONS CONTINUED



7. Feed the short cable by running it up and OVER first roller, then UNDER second roller. Loop the short cable back toward the winch and securely attach to the longer cable using the cable clamp. Remove slack from short cable before securing to long cable. Clamp should be NO LESS THAN ONE INCH (1") from roller.

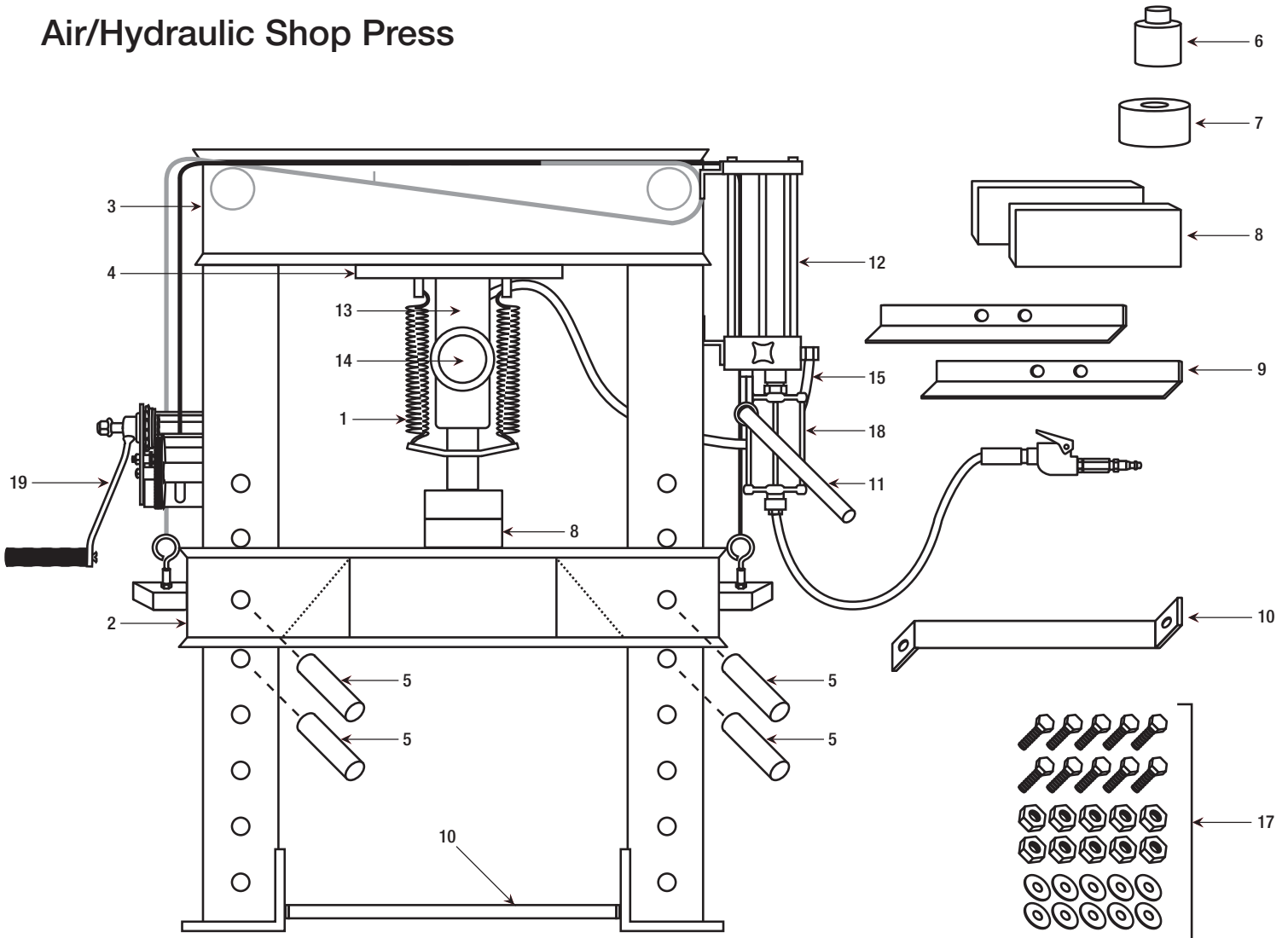
- Install pre-attached eye bolt on SHORTER cable to press bed handle located under winch *after feeding it around in step 7*.
- Turn eye hooks to adjust and level press bed. Once bed is level, firmly tighten eye hook mounting hardware. The steel cable will stretch with use. It may be necessary to repeat this leveling procedure in the future.
- Test the winch kit by raising and lowering the press bed from its lowest to highest position. Repeat and adjust until bed is level and moves freely throughout its entire range of motion. Cut excess cable when all adjustments are complete.

**SHIPPING ADDRESS:**  
Sunex Tools  
315 Hawkins Rd.  
Travelers Rest, South Carolina 29690

**MAILING ADDRESS:**  
Sunex Tools  
P.O. Box 4215  
Greenville, South Carolina 29608

## REPLACEMENT PARTS LIST

### Air/Hydraulic Shop Press



ITEM NO.	SUNEX PART NO.	DESCRIPTION	QTY.	ITEM NO.	SUNEX PART NO.	DESCRIPTION	QTY.
1	RSCBP1214	2" Pushing Adaptor (Spring)	2	15	RSCBP1204	Hose & Fitting	1
2		Press Bed	1	16	RSCBP1217	Seal Kit for Pump and Ram (not shown)	1
3		Press Frame	1	17	RS40MPPHK	Press Hardware Kit	1 set
4		Ram Frame	1			1/2"-13 x 1-1/2" Hex Head Bolt	10
5	RSCBP1225	Press Pin	4			1/2" Nut	10
6	RS345009	Pushing Adapter	1			Washer	10
7	RSBS1	Bearing Shield	1	18	RSAAM02	Air Motor (shown with pump)	1
8	RSCBP1205	Press Plate	2	19	RS4050WCH	Winch	1
9	RSCBP1211	Press Feet	2	not shown	RSWHK	Winch Hardware Kit	1 set
10	RSCBP1212	Z Bar	1			Cable Clamp	1
11	RSCBP1209	Pump Handle	1			1/2"-13 x 1-1/2" Hex Head Bolt	2
12	RS40AOPAM	Pump (with air motor) (5740AH)	1			1/2" Nut	2
	RS50AOPAM	Pump (with air motor) (5750AH)	1			Washer	2
13	RSCBP1202	Ram (includes gauge) (5740AH)	1			Winch	1
	RSCBP1202GG	Ram (includes gauge) (5750AH)	1			Short Cable (includes eye bolt)	1
14	RSCBP1206	Gauge (5740AH)	1			Long Cable	1
	RSCBP1206G	Liquid Filled Gauge (5750AH)	1	not shown	RS5740AHLK	Product Label Kit	1
				not shown	RS5750AHLK	Product Label Kit	1

Only items identified by part number are available separately.