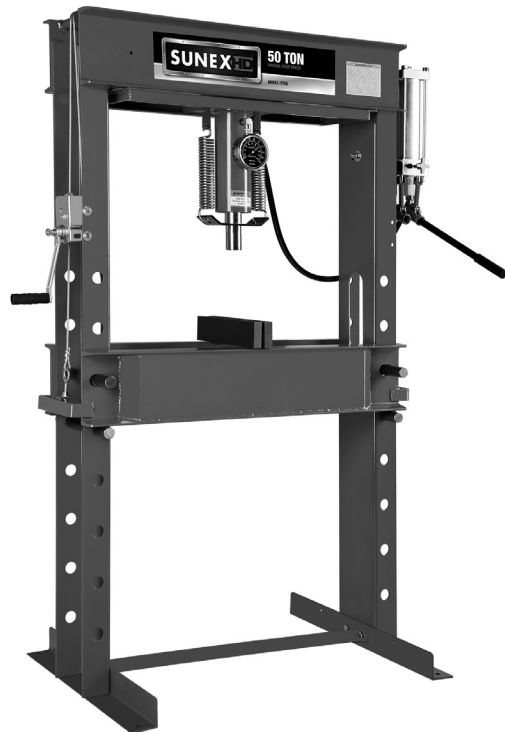


OWNER'S MANUAL

CONTENTS:

Page	1	Specifications
	2	Safety Information and Warranty Information
	3	Parts List
	4-8	Assembly Instructions
	9	Procedure for Bleeding Air
	10	Pump Instructions
	11-12	Winch Kit List and Winch Installation Instructions
	13	Replacement Parts List
	14	Pump and Ram Exploded Parts Diagram
	15-16	Notes



PRESS SPECIFICATIONS

Sunex Part No.	Total Height	Inside Width	Press Feet Length	Bed Width	Ram Stroke	Pin Diameter	PB Winch	Sliding Head	Press Plates Included
5740	74"	35"	29.75"	13"	6.75"	1.25"	Y	Y	Y(2)
5750	74"	35"	29.75"	13"	6.75"	1.25"	Y	Y	Y(2)

SAFETY INFORMATION



THIS OPERATING MANUAL CONTAINS IMPORTANT SAFETY INFORMATION. READ CAREFULLY AND UNDERSTAND ALL INFORMATION BEFORE OPERATING THIS TOOL. SAVE THIS MANUAL FOR FUTURE USE.

⚠ WARNING

This symbol alerts you to the possibility of serious injury or death if instructions are not followed.

⚠ CAUTION

This symbol alerts you to the possibility of damage to or destruction of equipment if instructions are not followed.

⚠ WARNING

Failure to heed these warnings may result in loss of load, damage to the press and/or failure resulting in property damage, personal or fatal injury. This operating manual contains important details concerning the safe operation of this tool. The user must read and understand these details before any use of the tool. This manual must be retained for future reference.

- Read, study, understand and follow all instructions before operating this press.
- Always wear safety goggles, (users and bystanders).
- Parts being pressed may splinter, shatter, or be ejected from the press at a dangerous rate of speed. Because there are a variety of press applications, it is the responsibility of the press owner to provide adequate guards, eye protection and protective clothing to the press operator.
- Visual inspection of the press should be made before use, checking for signs of cracked welds, bent bed pins, loose or missing bolts, leaks, or any other structural damage. Corrections must be made before using the press.
- Do not go near leaks. High pressure hydraulic fluid can puncture skin and cause serious injury, gangrene, or death. If injured, seek emergency medical help as immediate surgery is required to remove the fluid.
- Prior to use make sure the press is securely anchored to a concrete floor.
- Keep hands, arms, feet, and legs out of work area. Accidental slippage can result in personal injury.
- Always use an accurate force gauge to measure pressing force.
- Do not exceed the rated capacity or tamper with the pressure/force settings. When attachments and adapters are used the rated capacity of the system shall be no greater than the rated capacity of the lowest rated component or combination of components that make up the system.
- Avoid off-center loads. Offset loads can damage ram and may cause load to eject at a dangerous rate of speed. Do not use any spacer or extender between the press ram plunger and the item being pressed. If there is not enough ram stroke, adjust the height of the movable bolster.
- Remove all loads from movable bolster before attempting to adjust bolster height. Beware of possible falling bolster.
- Press only on loads supported by movable bolster and press plates included. Do not support loads on floor or press frame legs.
- When using any accessories such as press plates or arbor plates, be certain they are centered on the movable bolster and in full contact with both sides of the bolster.
- Before applying load, be certain all movable bolster supporting pins are fully engaged. Verify lift cables (if equipped) are slack before pressing on the bolster.
- Always use a bearing shield when pressing bearings.
- Use caution when positioning work to be pressed to ensure the item to be pressed cannot be ejected at a dangerous rate of speed.
- Release hydraulic pressure before loosening any fittings.
- Maintain proper hydraulic fluid levels.
- Do not make any alterations to the press.
- Failure to heed and understand these markings may result in serious or fatal personal injury and/or property damage.

⚠ WARNING: This product can expose you to chemicals including nickel, which is known to the State of California to cause cancer and birth defects or other reproductive harm. For more information go to www.P65Warnings.ca.gov.

OWNER/USER RESPONSIBILITY

The owner and/or user must have an understanding of the manufacturer's operating instructions and warnings before using this press. Personnel involved in the use and operation of equipment shall be careful, competent, trained, and qualified in the safe operation of the equipment and its proper use when servicing motor vehicles and their components. Warning information should be emphasized and understood.

If the operator is not fluent in English, the manufacturer's instructions and warnings shall be read to and discussed with the operator in the operator's native language by the purchaser/owner, making sure that the operator

comprehends its contents.

Owner and/or user must study and maintain for future reference the manufacturer's instructions. Owner and/or user is responsible for keeping all warning labels and instruction manuals legible and intact. Replacement labels and literature are available from the manufacturers.

INSPECTION

Visual inspection of the shop press should be made before each use of the press, checking for damaged, loose or missing parts. Each press must be inspected by a manufacturer's repair facility immediately, if subjected to an abnormal load or shock. Any press which appears to be damaged in any way, is found to be badly worn, or operates abnormally must be removed from service until necessary repairs are made by a manufacturer's authorized repair facility. It is recommended that an annual inspection of the press be made by a manufacturer's authorized repair facility and that any defective parts, decals or warning labels be replaced with manufacturer's specified parts. A list of authorized repair facilities is available from the manufacturer.

SAFETY INSTRUCTIONS

- CHECK YOUR LOCAL, STATE AND FEDERAL REGULATIONS REGARDING THE SAFE USE OF THIS EQUIPMENT.
- Your safety is top priority. Please handle equipment with care.
- Fully retract unit and remove all items from the press bed frame.
- Support the press bed, and remove the pins.
- Raise or lower bed to desired height and reinstall press pins. Be certain pins are fully engaged in the parallel flanges of the upright columns.
- Position press on a flat, level, hard surface, preferably concrete. Make sure all nuts and bolts are tight.
- Clear the area of bystanders, especially small children, before using.
- Set the press bed to the required height. The press is most effective when the work piece is located 1 inch below the ram's retracted position. The compression stroke can include the entire 5 inch working range.
- The press is designed to exert a force on anything which is positioned beneath its ram. The work piece can pop out from under the ram at a high rate of speed and injure someone.
- Pressing Bearings: It is essential that you use the bearing shield when pressing bearings on or off.

LIMITED WARRANTY:

SUNEX INTERNATIONAL, INC. WARRANTS TO ITS CUSTOMERS THAT THE COMPANY'S SUNEX TOOLS[®] BRANDED PRODUCTS ARE FREE FROM DEFECTS IN WORKMANSHIP AND MATERIALS.

Sunex International, Inc. will repair or replace its Sunex Tools[®] branded products which fail to give satisfactory service due to defective workmanship or materials, based upon the terms and conditions of the following described warranty plans attributed to that specific product. This product carries a ONE-YEAR warranty. During this warranty period, Sunex Tools[®] will repair or replace at our option any part or unit which proves to be defective in material or workmanship.

Other important warranty information....

This warranty does not cover damage to equipment or tools arising from alteration, abuse, misuse, damage and does not cover any repairs or replacement made by anyone other than Sunex Tools[®] or its authorized warranty service centers. The foregoing obligation is Sunex Tools[®] sole liability under this or any implied warranty and under no circumstances shall we be liable for any incidental or consequential damages. **Note: Some states do not allow the exclusion or limitation of incidental or consequential damages, so the above limitation or exclusion may not apply to you.**

Return equipment or parts to Sunex Tools[®], transportation prepaid. Be certain to include your name and address, evidence of the purchase date, and description of the suspected defect.

If you have any questions about warranty service, please write to Sunex Tools[®]. This warranty gives you specific legal rights and you may also have other rights which vary from state to state. Repair kits and replacement parts are available for many of Sunex Tools[®] products regardless of whether or not the product is still covered by a warranty plan.

SHIPPING ADDRESS:

Sunex Tools
315 Hawkins Rd.
Travelers Rest, South Carolina 29690

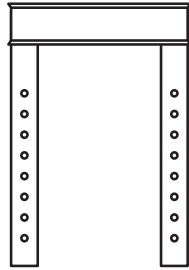
MAILING ADDRESS:

Sunex Tools
P.O. Box 4215
Greenville, South Carolina 29608

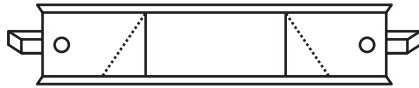
PARTS LIST

ESTIMATED ASSEMBLY TIME: 45 MINUTES

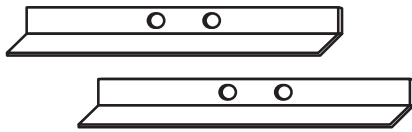
Press Frame - 1



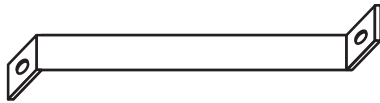
Press Bed - 1



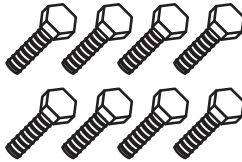
Press Feet - 2



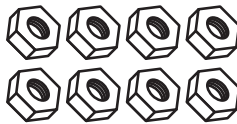
Z Bar - 1



1/2"-13 x 1-1/2"
Hex Head Bolts - 8



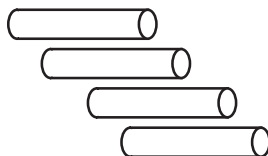
1/2" Nuts - 8



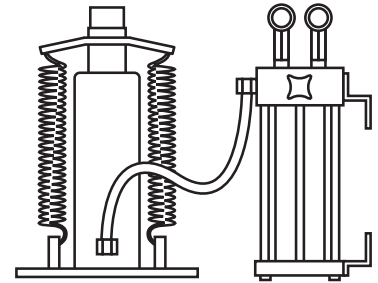
Washers - 8



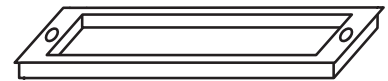
1-1/4" x 14"
Press Pins - 4



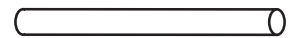
Two Stage
Pump and Ram - 1



Ram Frame - 1

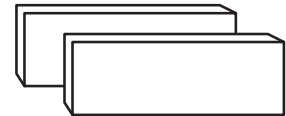


Pump Extension Handle - 1



ACCESSORIES

1" x 3" x 14"
Press Plates - 2
*Accessory only -
Not needed for assembly*



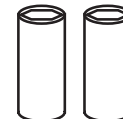
Pushing Adapter - 1
*Accessory only -
Not needed for assembly*



Bearing Shield - 1
*Accessory only -
Not needed for assembly*



TOOLS NEEDED



3/4" and 1/2" sockets and wrenches

Examine box contents, then proceed with the following instructions.

ASSEMBLY INSTRUCTIONS

1

Stand frame upside down

2

Slide bed onto frame

Slide bed down to bottom of frame

Note: In the upright position, inner bracing should form an inverted "v" with the narrower space facing the top of the press.

⚠ WARNING

Be aware of jagged edges on frame. Not all welds are smooth. Press bed can pinch or crush fingers. Wear safety gloves.

3

⚠ WARNING

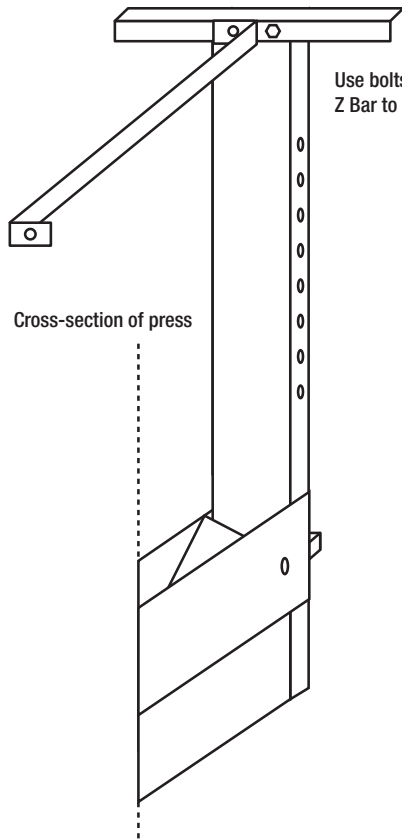
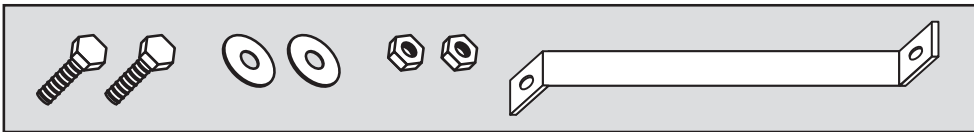
Leg ends and press feet are sharp and potentially dangerous. Wear safety gloves and safety goggles.

Note: Position press feet on each side of the press. Attach one bolt, washer and nut on each side. Bolts should be attached *OFFSET* from one another.

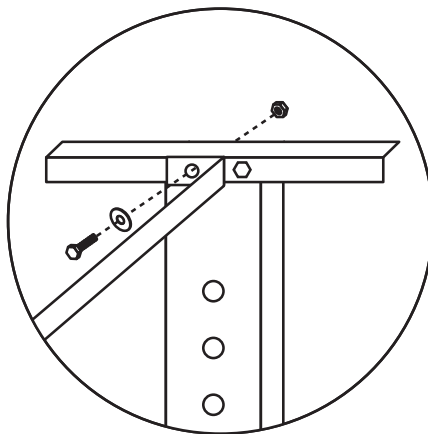
Front view

ASSEMBLY INSTRUCTIONS CONTINUED

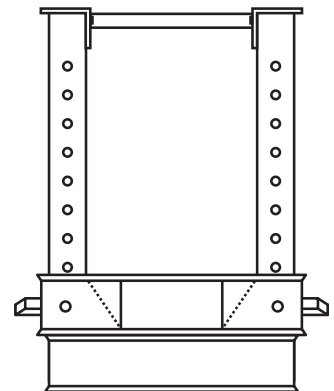
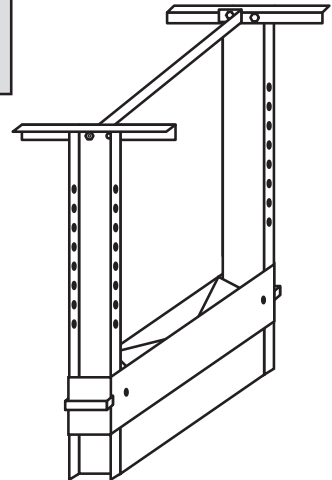
4



Use bolts, washers and nuts to attach Z Bar to both sides of the press.



Note: Check all bolts for tightness. If press rocks, or is not level, loosen press feet slightly to compensate and retighten.



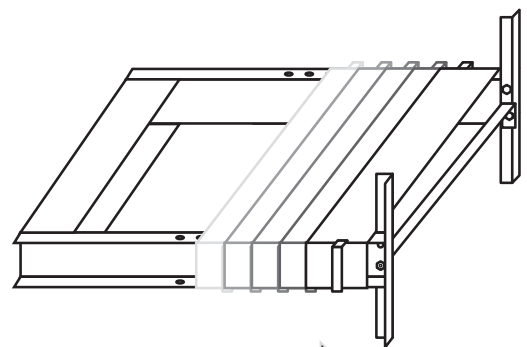
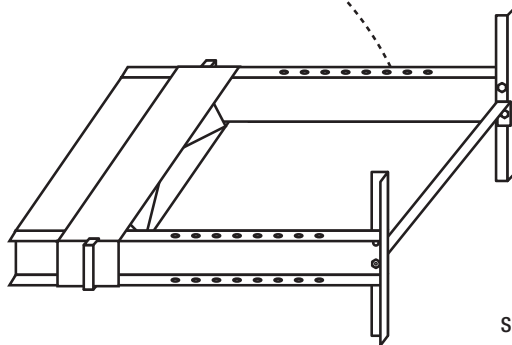
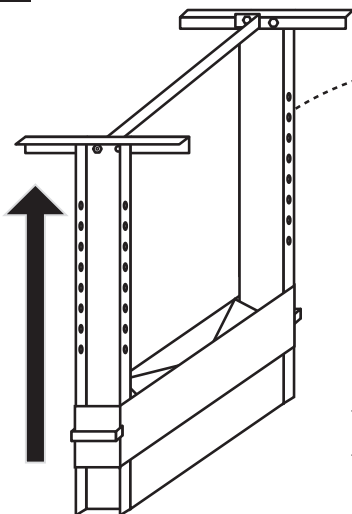
Front view

5

⚠ WARNING

Bed must be at the **BOTTOM** of the frame before proceeding to the next step.

Note: When sliding bed to frame bottom, **DO NOT** use bed handles.



Slide bed down to bottom of frame →

ASSEMBLY INSTRUCTIONS CONTINUED

6

WARNING Pins must be COMPLETELY through BOTH SIDES of frame.

Stand unit upright

Slide bed above holes and *hold in place*

Secure pins underneath bed, one at a time

7

WARNING ALL FOUR (4) pins must be COMPLETELY through BOTH SIDES of frame in order to operate press.

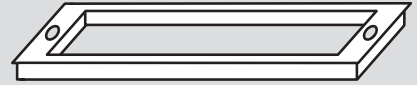
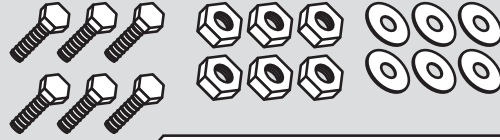
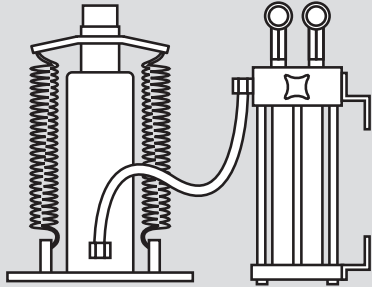
Let bed rest on inserted pins

Place 3rd and 4th pin on each side

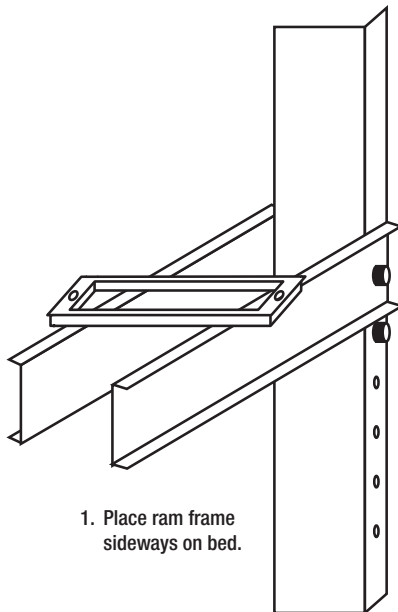
Secure pins completely through bed and frame.

RAM FRAME ASSEMBLY INSTRUCTIONS

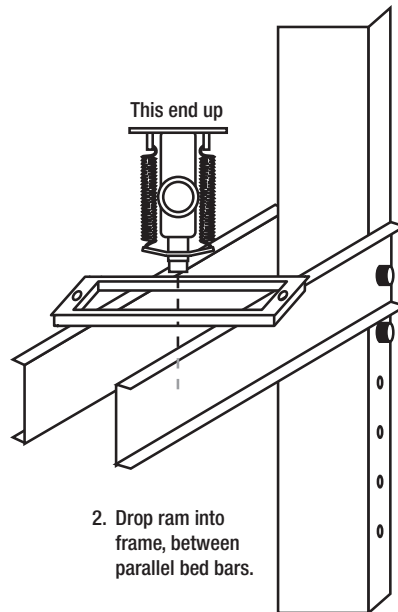
8



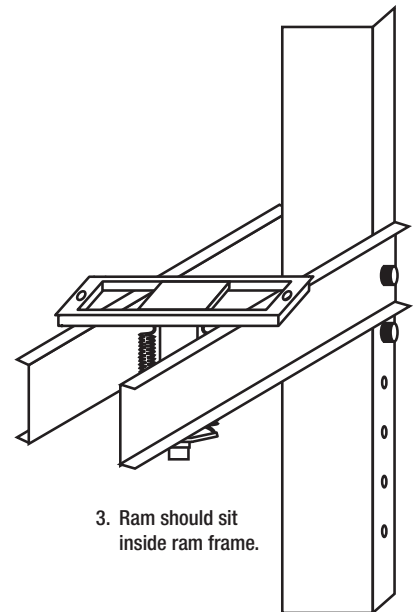
Note: Handle ram carefully to avoid damage to gauge or gauge face.
Do not disconnect hoses prior to assembly.



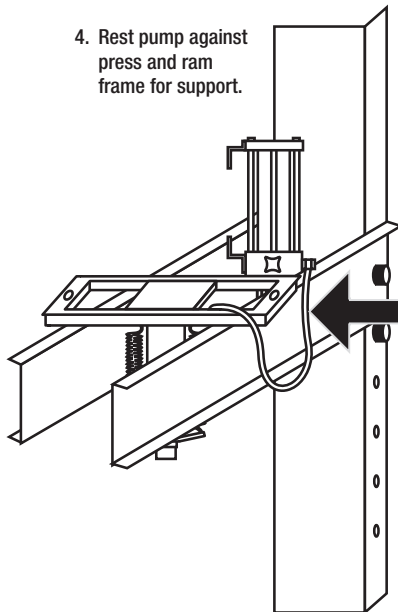
1. Place ram frame sideways on bed.



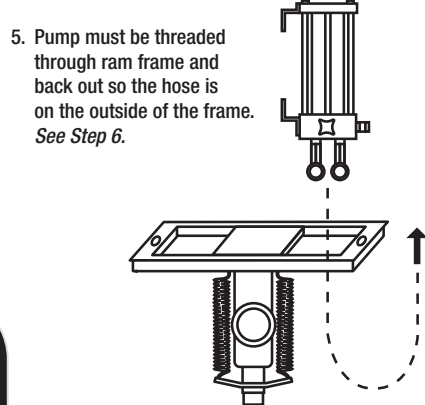
2. Drop ram into frame, between parallel bed bars.



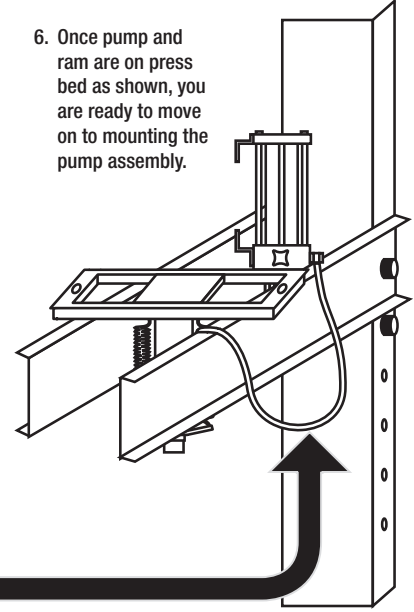
3. Ram should sit inside ram frame.



4. Rest pump against press and ram frame for support.



5. Pump must be threaded through ram frame and back out so the hose is on the outside of the frame. See Step 6.



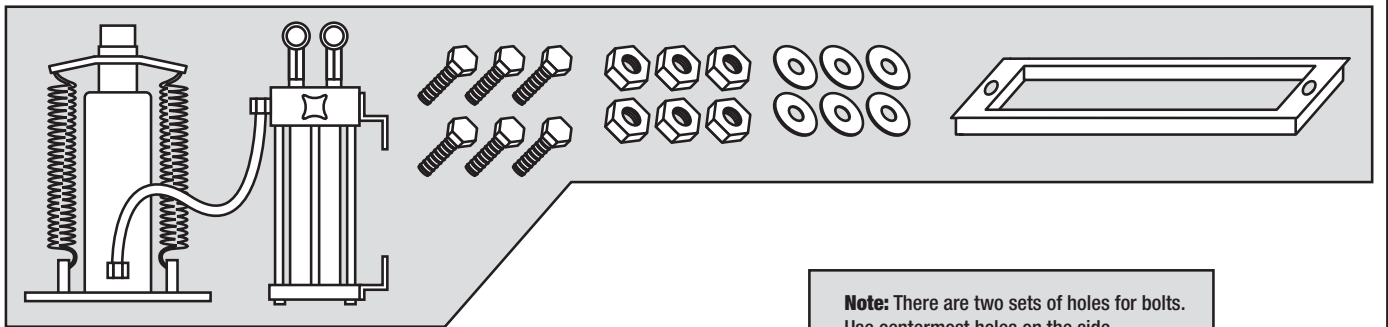
6. Once pump and ram are on press bed as shown, you are ready to move on to mounting the pump assembly.

WARNING

Hose must be on the **OUTSIDE** of ram frame, or it will **NOT** be mountable to the press.

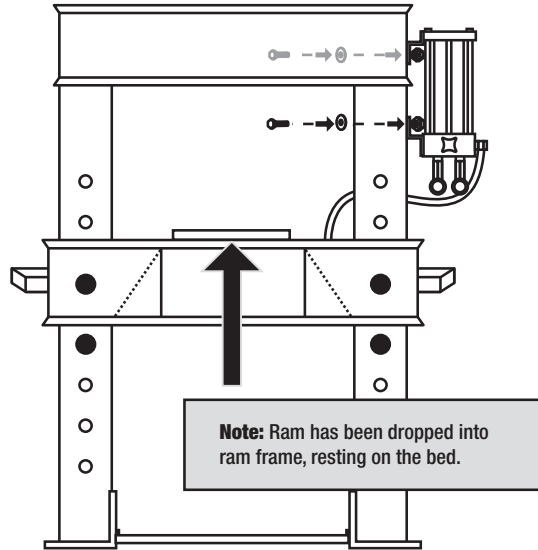
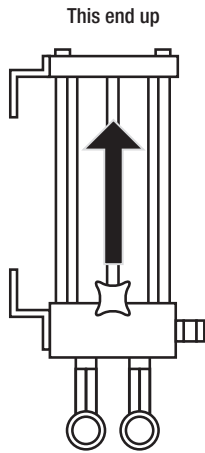
PUMP AND RAM ASSEMBLY INSTRUCTIONS

9

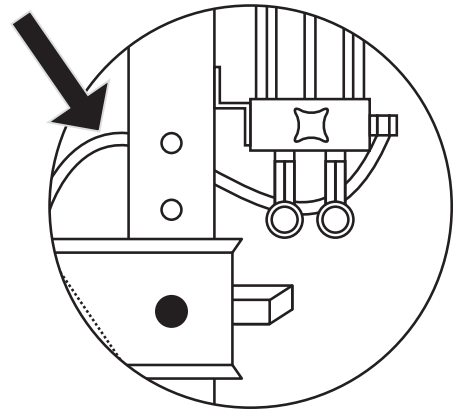


Note: There are two sets of holes for bolts. Use centermost holes on the side.

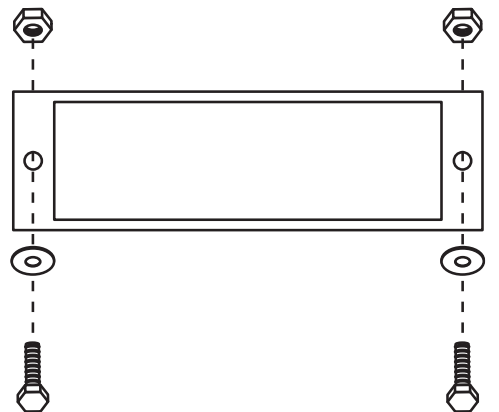
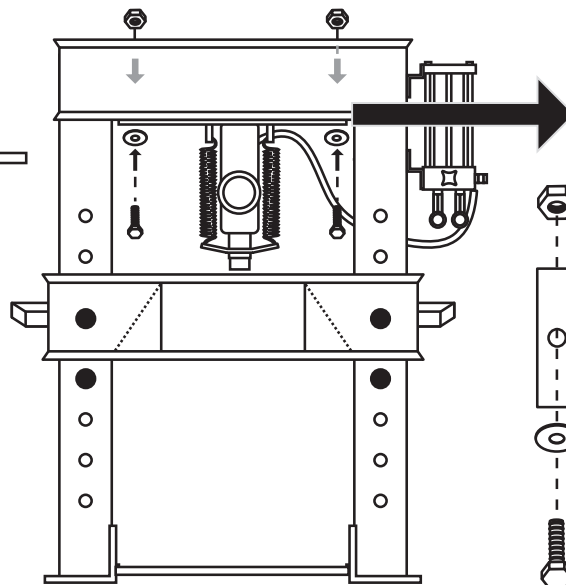
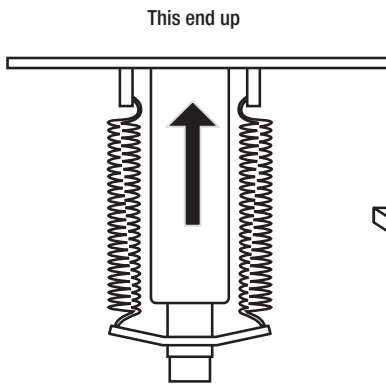
A



Note: Hose must run BEHIND frame. DO NOT disconnect hose from pump or ram.



B

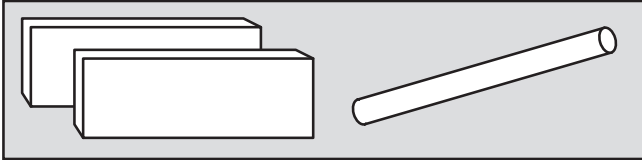


⚠ WARNING

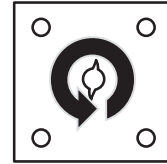
DO NOT attempt to operate pump unless the BREATHER VALVE IS OPEN.
 Valve is closed prior to shipping to prevent the loss of hydraulic fluid.

PROCEDURE FOR BLEEDING AIR

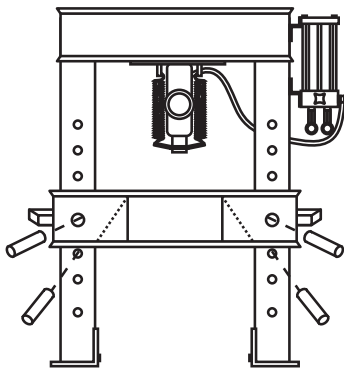
10



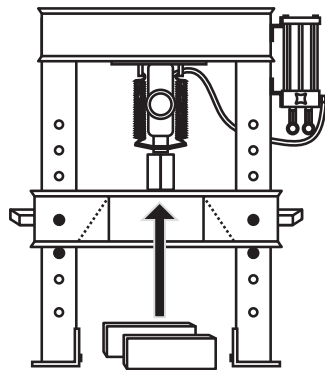
1. Turn valve handle on FRONT of pump CLOCKWISE until closed. DO NOT OVERTIGHTEN.



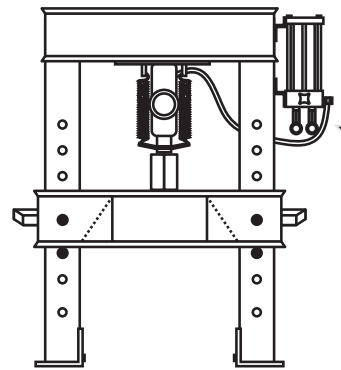
2. Turn petcock valve (breather) on TOP of pump COUNTERCLOCKWISE to open.



3. Move press bed into highest position and lock bed into place with both pins.

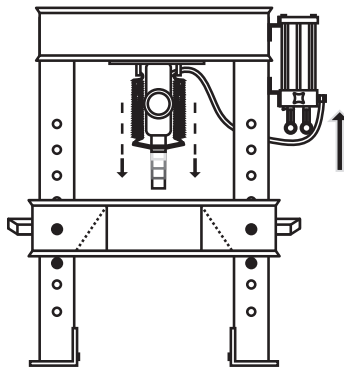


4. Place press plates DIRECTLY under ram, on press bed.

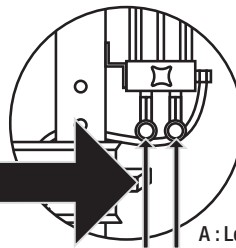


5. Put cradle in the DOWN position. Use an adapter on your air hose and allow air to flow through the opening in the petcock valve into the pump.

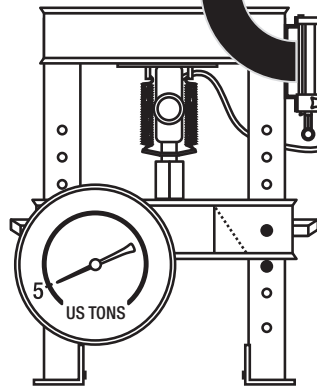
⚠ CAUTION Bed must be in UP position, or you will over extend ram.



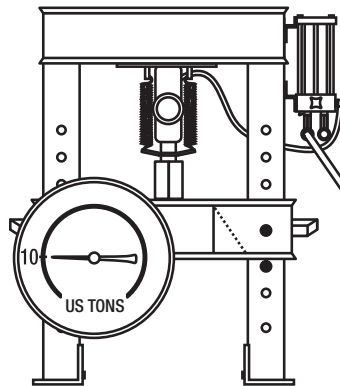
6. Air that has flowed into the pump causes the cradle to move up and the ram to move down. If this happens, proceed to step 7. If not, check all hoses and connections and repeat the procedure.



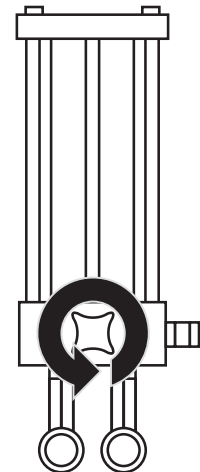
A : Low Pressure Cradle
 B : High Pressure Cradle



7. Insert pump handle into LOW PRESSURE CRADLE. Pump ram against press plates until gauge reads "5 Tons".



8. Insert pump handle into HIGH PRESSURE CRADLE. Pump ram against press plates until gauge reads "10 Tons".



9. Turn valve handle on pump COUNTERCLOCKWISE a maximum of one (1) turn to open valve. Ram will retract as pressure is released.

⚠ WARNING

Do not allow the ram to extend more than 5.5".

PUMP INSTRUCTIONS

11

⚠ WARNING

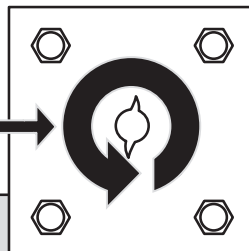
This symbol alerts you to the possibility of serious injury or death if instructions are not followed.

Failure to heed these warnings may result in loss of load, damage to the press and/or failure resulting in property damage, personal or fatal injury. This operating manual contains important details concerning the safe operation of this tool. The user must read and understand these details before any use of the tool.

This manual must be retained for future reference.

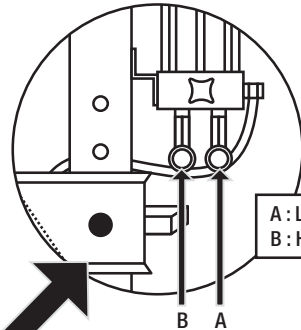
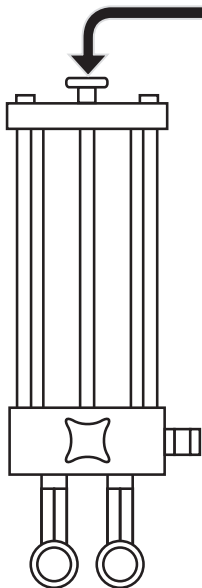
1. BEFORE OPERATING PUMP, open petcock valve (breather) located on TOP of pump assembly by turning COUNTERCLOCKWISE.

Top view of pump



⚠ WARNING

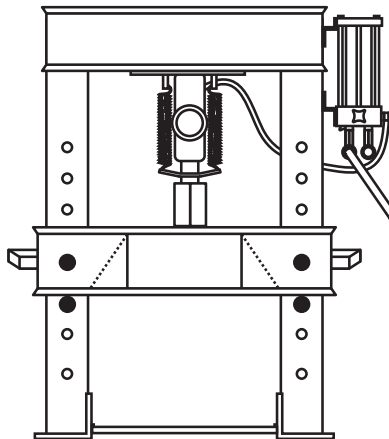
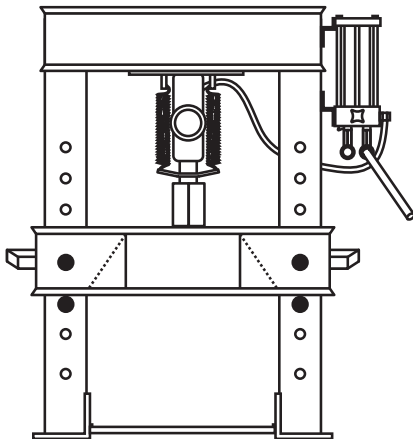
DO NOT attempt to operate pump unless the BREATHER VALVE IS OPEN. Valve is closed prior to shipping to prevent the loss of hydraulic fluid.



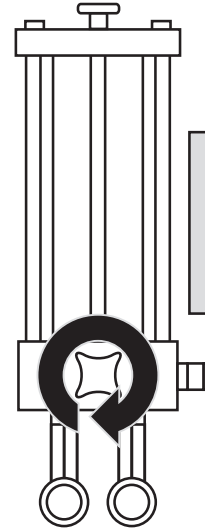
A : Low Pressure Cradle
B : High Pressure Cradle

3. Insert pump handle into low pressure cradle. Use the low pressure pump until ram comes into contact with item to be pressed.

4. Once ram is in contact with the item to be pressed, insert pump handle into high pressure side. Using the high pressure pump moves the ram less with each stroke and requires less effort to apply pressure.



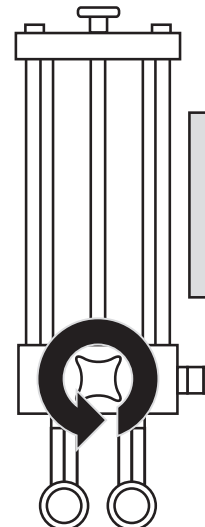
2. CLOSE the valve located on the FRONT of the pump assembly by turning CLOCKWISE.



⚠ CAUTION

HAND TIGHTEN VALVE ONLY. Excess pressure could damage the valve assembly.

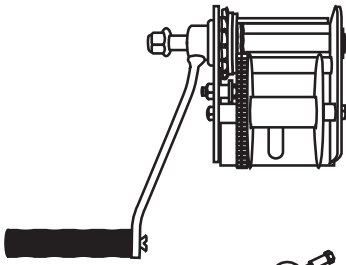






5. To relieve pressure and retract ram, turn valve located on FRONT of pump assembly ONE FULL TURN COUNTERCLOCKWISE.



⚠ CAUTION


DO NOT TURN RELEASE VALVE MORE THAN ONE FULL TURN or equipment may be disabled.

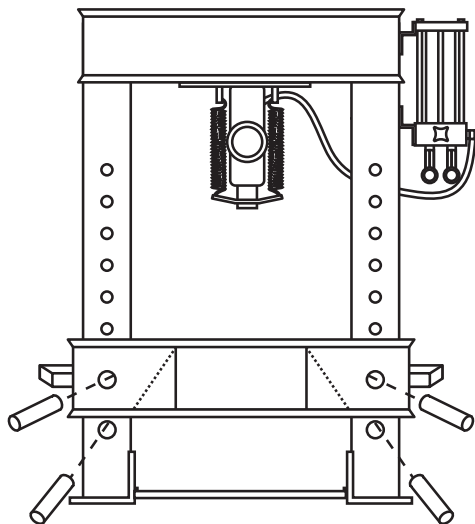
WINCH KIT PARTS LIST

Winch - 1		Cable Clamp - 1	
Long Cable - 1		1/2"-13 x 1-1/2" Hex Head Bolts - 2	
Short Cable- 1		1/2" Nuts - 2	
		Washers - 2	

WINCH INSTALLATION INSTRUCTIONS

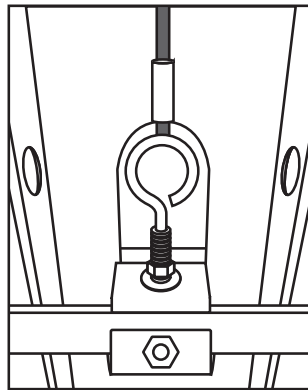
12

-  Dark Gray- Long Cable
-  Light Gray- Short Cable



1. Move press bed into LOWEST position so it is resting on top of pins 1 and 2.

Right side of press,
under pump assembly

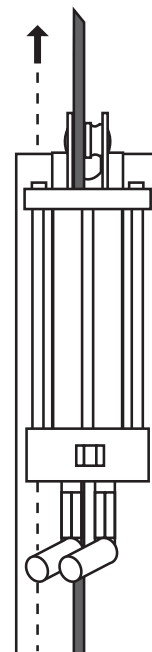


2. Install pre-attached eye bolt on LONGER cable to press bed handle located *under pump assembly*. DO NOT FULLY TIGHTEN. Center with side of press bed and make sure there is enough room to lower or raise both nuts on eye bolt for precise alignment.

WARNING

DO NOT FULLY TIGHTEN.

Right side of press



3. Thread the BARE end of the LONGER of the two steel cables up and through the pump bracket.

Note: Refer to manual from winch manufacturer for detailed instructions on winch assembly and cable threading procedure.

WINCH INSTALLATION INSTRUCTIONS CONTINUED

LONG CABLE top view of press

WARNING
 Mount winch to frame
 AFTER threading cable.

This end feeds into winch.

- Run the long cable up and OVER BOTH ROLLER BRACKETS and feed into winch. Be sure to thread 12 inches (1 foot) of extra cable through winch.
- Once winch cable has been threaded, pull excess cable back through winch as shown in diagram above. The cable should be locked tightly around itself with no excess cable left hanging. Operate winch enough to remove slack from longer cable.
- Mount winch to frame using the provided washers, 1/2" nuts and 1/2"-13 x 1-1/2" bolts.

Top view of press with bed in lowest position

- Feed the short cable by running it up and OVER first roller, then UNDER second roller. Loop the short cable back toward the winch and securely attach to the longer cable using the cable clamp. Remove slack from short cable before securing to long cable. Clamp should be NO LESS THAN ONE INCH (1") from roller.

Left side of press, under winch

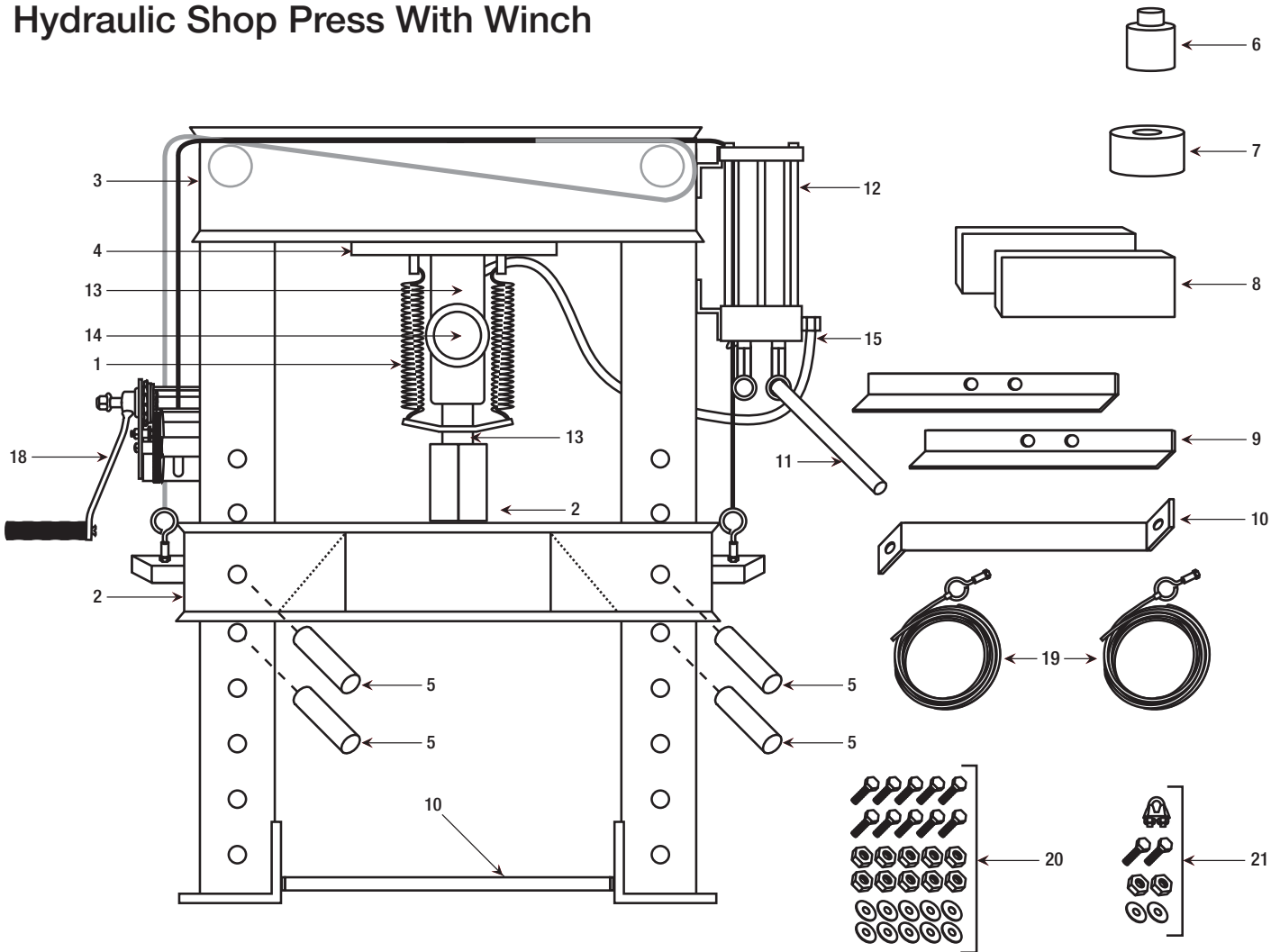
- Install pre-attached eye bolt on SHORTER cable to press bed handle located under winch *after feeding it around in step 7*.
- Turn eye hooks to adjust and level press bed. Once bed is level, firmly tighten eye hook mounting hardware. The steel cable will stretch with use. It may be necessary to repeat this leveling procedure in the future.
- Test the winch kit by raising and lowering the press bed from its lowest to highest position. Repeat and adjust until bed is level and moves freely throughout its entire range of motion. Cut excess cable when all adjustments are complete.

SHIPPING ADDRESS:
 Sunex Tools
 315 Hawkins Rd.
 Travelers Rest, South Carolina 29690

MAILING ADDRESS:
 Sunex Tools
 P.O. Box 4215
 Greenville, South Carolina 29608

REPLACEMENT PARTS LIST

Hydraulic Shop Press With Winch



ITEM NO.	SUNEX PART NO.	DESCRIPTION	QTY.	ITEM NO.	SUNEX PART NO.	DESCRIPTION	QTY.
1	RSCBP1214	2" Pushing Adaptor (Spring)	2	16	RSCBP1201RV	Pump & Ram Assembly** (5740)	1
2		Press Bed	1		RSCBP1201RVGG	Pump & Ram Assembly** (5750)	1
3		Press Frame	1	17	RSCBP1217	Seal Kit for Pump and Ram (not shown)	1
4		Ram Frame	1	18	RS4050WCH	Winch	1
5	RSCBP1225	Press Pin	4	19	RSLCSCSET	Long & Short Cable Set (incl eye bolt)	1
6	RS345009	Pushing Adapter	1	20	RS40MPPHK	Press Hardware Kit	1 set
7	RSBS1	Bearing Shield	1			1/2"-13 x 1-1/2" Hex Head Bolt	10
8	RSCBP1205	Press Plate	2			1/2" Nut	10
9	RSCBP1211	Press Feet	2			Washer	10
10	RSCBP1212	Z Bar	1	21	RSWHK	Winch Hardware Kit	1 set
11	RSCBP1209	Pump Handle	1			Cable Clamp	1
12	RSCBP40TPRV	Pump (includes handle) (5740)	1			1/2"-13 x 1-1/2" Hex Head Bolt	2
	RSCBP1201BRV	Pump (includes handle) (5750)	1			1/2" Nut	2
13	RSCBP1202	Ram (includes gauge) (5740)	1			Washer	2
	RSCBP1202GG	Ram (includes gauge) (5750)	1			Winch	1
14	RSCBP1206	Gauge (5740)	1			Short Cable (includes eye bolt)	1
	RSCBP1206G	Liquid Filled Gauge (5750)	1	not shown	RS5740LK	Product Label Kit	1
15	RSCBP1204	Hose & Fitting	1	not shown	RS5750LK	Product Label Kit	1

**Pump and Ram Assembly includes pump, ram, gauge, and hose & fitting (item numbers: 12, 13, 14 & 15)

PUMP AND RAM EXPLODED PARTS DIAGRAM

See Replacement Parts List for parts available separately.

Parts with (*) are only available in Seal Kit, part number RSCBP1217.

RAM

ITEM NO.	DESCRIPTION	QTY.
1	Base Weldment	1
2	Plug	1
3	* Polypak Seal (Parker)	2
4	1/2-13 x 2 Hex HD C-S GR 2 Zinc	1
5	Piston	1
6	* O-Ring (Parker)	1
7	Rod	1
8	Retaining Ring Int. 3.5 NOM	1
9	Piston Guide	1
10	Retractor Plate	1
11	Spring	2
12	Fitting Gauge 1.75	1
13	Gauge	1
14	90° Elbow 1/4 NPTF to -6 JIC	1
15	Hose Hydraulic 41 1/2 LG 7/16-20 JICF	1

PUMP

ITEM NO.	DESCRIPTION	QTY.
1	Tank	1
2	Tie Rod	4
3	1" Piston Body	1
4	1/2" Piston Body	1
5	1" Piston	1
6	1/2" Piston	1
7	1/4" MNPT Pressure Plug	1
8	Pump Body	1
9	Pump Lid	1
10	Pump Bracket	2
11	Valve Assembly	1
12	Pivot Pin	2
13	* 5/16 Steel Ball	5
14	Brass Drain Cock	1
15	Cradle Assembly	2
16	Hydraulic Hose 41-1/2" L 7/16-20 JICF	1
17	7/16-14 Fin Hex Nut Zinc	4
19	* O-Ring	1
20	* O-Ring	1
21	* 3-1/2" Seal	2
22	* 3-5/16" Seal	1
23	* 3-3/16" Seal	1
24	SHCS 7/16 14 x 1/2"	4
25	SHCS 7/16 14 x 3/4"	4
26	* Light Spring	2
27	* Heavy Spring	2
28	7/16" Split Lock Washer	6
29	Pump Filter	1
30	Pump Fitting 1/4" MNPT 7/16" JICF	1
31	7/8" Grip	1
32	Handle for Pump	1
33	* O-Ring	1

