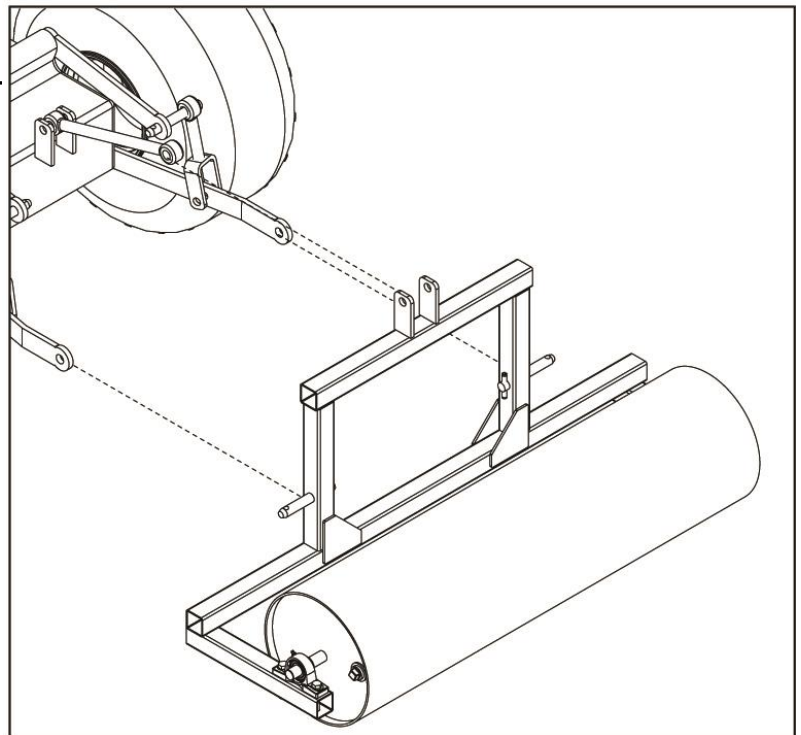
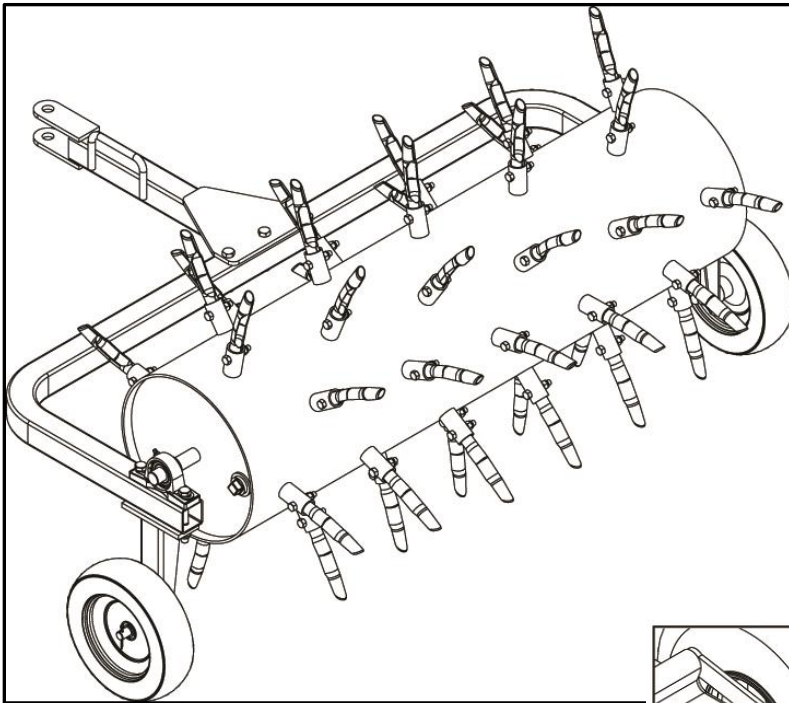




MLR36 | MLR48 | MLR3P48
MSP36 | MSP48 | MSP3P48
MSAT36 | MSAT48 | MSA3P48

Owner's Manual

MMLR36B.2



	<p>WARNING</p> <p>READ AND UNDERSTAND THE <u>OPERATOR'S MANUAL</u> COMPLETELY BEFORE USING THIS PRODUCT. ASSEMBLE, TEST AND USE ONLY IN ACCORDANCE WITH THE OPERATOR'S MANUAL INSTRUCTIONS.</p>	
--	--	--



Owner's Manual

1 Introduction

Maxim takes pride in the Lawn Rollers and Aerators and has designed them with quality materials and workmanship. These rollers are designed to help you efficiently and effectively Aerate or roll your lawn.

1.1 Application

Navigating This Manual

1. Use this manual to help familiarize yourself with safety, set-up, operation and warranty information. It is very important that you read this manual and follow the instructions to ensure safe operation Rollers and Aerators.
2. Please visit maximmfg.com for updated information.

1.2 Further Assistance

Your dealer and all of us at Maxim want you to be pleased with your Roller or Aerator. Should you require further assistance or have questions regarding your product, please contact your local dealer where you purchased your Roller, or contact us at:

Maxim Manufacturing
20195 South Diamond Lake Road, Suite 100
Rogers, MN 55374
800-822-0295
maximmfg.com

2 Set-up

2.1 Unpacking Your Roller

Your Roller ships on 1 pallet. Carefully set the parts on a flat working area. Carefully unpack the roller and verify that no shipping damage has occurred.

	CAUTION	
	USE CAUTION LIFTING THE ROLLER OR AERATOR. SHARP EDGES AND PINCH POINTS GET HELP FROM A SECOND PERSON LIFTING THE UNIT.	

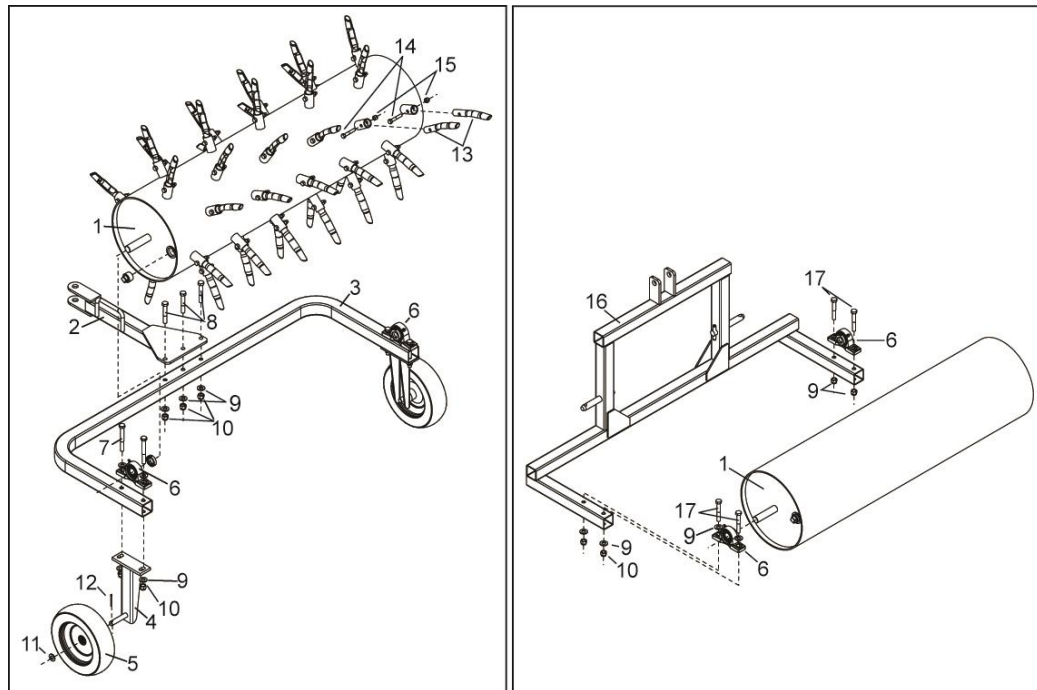
	WARNING	
	CANCER AND REPRODUCTIVE HARM – WWW.P65WARNINGS.CA.GOV .	



Owner's Manual

MMLR36B.2

3 Parts List



PARTS LIST

REF #	PART #	DESCRIPTION	QUANTITY
1	360710	Drum Assembly 48" Plug (MSP48, MSP3P48)	1
1	360610	Drum Assembly 36" Plug (MSP36)	1
1	360700	Drum Assembly 48" Spike (MSAT48, MSA3P48)	1
1	360600	Drum Assembly 36" spike (MSAT36)	1
1	360701	Drum Assembly 48" Lawn Roller(MLR48, MLR3P48)	1
1	360606	Drum Assembly 36" Lawn Roller (MLR36)	1
2	360609	Tongue Weldment	1
3	360614	48" Square Steel Tube Frame	1
3	360611	36" Square Steel Tube Frame	1
4	360602	Wheel Bracket	2
5	162044	Wheel 4.10/3.50 x 4	2
6	140104	1" Pillow Block Bearing W/Collar	2
7	7264	Hex Head Bolt, 1/2-13 x 4"	4
8	7282	Hex Head Bolt, 1/2-13 x 3	3
9	4242	1/2" Flat Washer	11
10	4218	1/2" Nylon Locknut	7
11	3047	5/8" SAE Washer	2
12	87279	Cotter Pin	2
13	87360	Aerator Plug Tine	36 or 44
14	400269	3/8" x 2" NC Capscrew	36 or 44
15	444721	3/8-16 Nylon Locknut	36 or 44
16	360605	3 Point Hitch (MSA3P48) (MLR3P48)	1
17	82490	Hex Head Bolt 1/2-13 x 3 1/2" (MSA3P48) (MLR3P48)	4

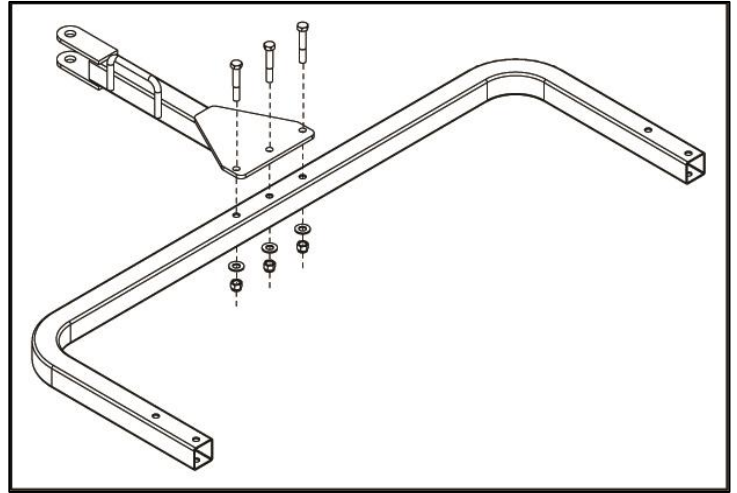
Owner's Manual

MMLR36B.2

4 Assembly

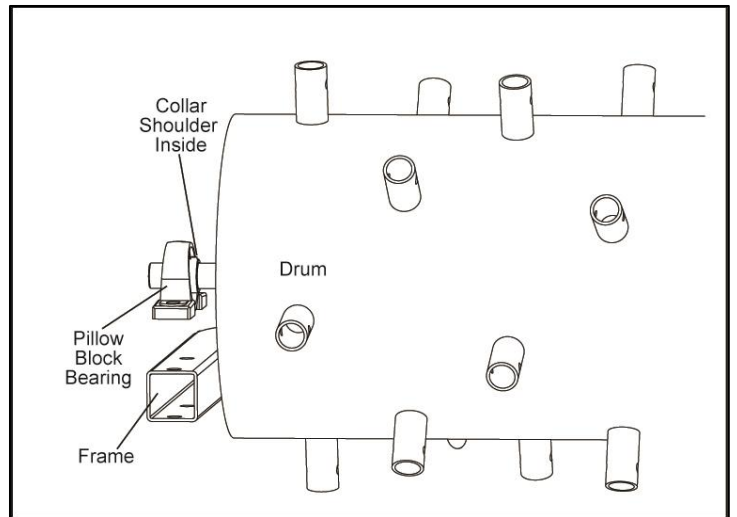
4.1 Attach Tongue to Frame

1. Attach tongue to square steel U-frame using three ½-13 x 3" hex head bolts, flat washers and nylon locknuts.



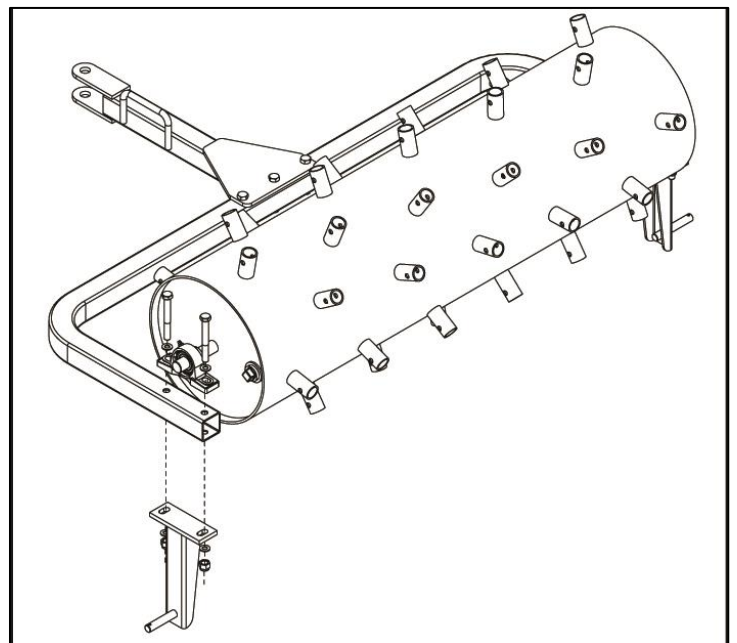
4.2 3.2 Attach Drum to Frame

1. Slide pillow block bearing on each shaft with the shoulder inward.



4.3 Attach Wheel Brace to Frame

1. Secure pillow block and wheel brace to frame using four ½-13 x 4" hex head bolts, flat washers and nylon lock nuts.
2. Center the axle between the pillow block bearings. Tighten the set screws. This will keep the drum centered in the frame.

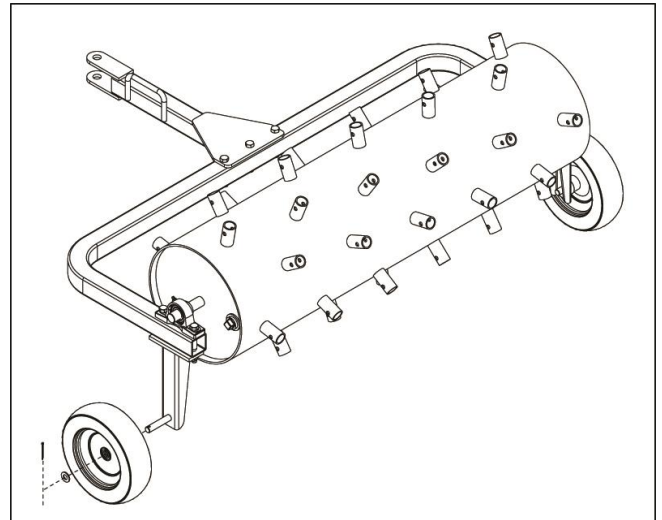


Owner's Manual

MMLR36B.2

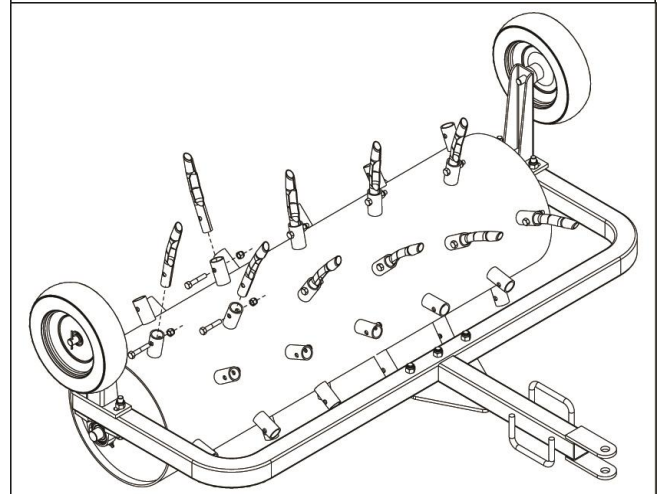
4.4 Attach Wheels to Wheel Braces

1. Slide a wheel onto the axle of each wheel brace, orienting the offset bearing to the inside.
2. Place a 5/8" SAE washer on the axle and secure with cotter pin.
3. Grease each wheel with a grease gun and the grease fitting on the inside of the wheel.



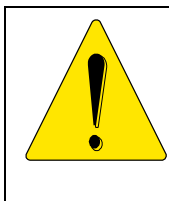
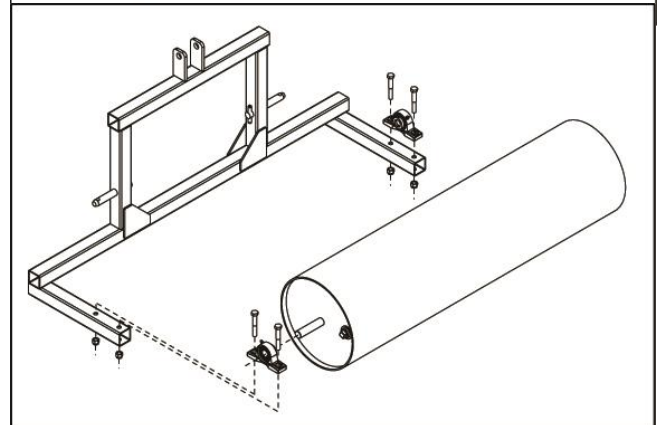
4.5 Plug Tine assembly

1. Orient the tines so that they arch forward at the top of the drum in the aeration position. (wheels up).
2. Insert a plug tine in each pocket and secure with a 3/8-16 x 2" hex head bolt and nylon locknut. (44 Tines for 48" aerator and 36 tines for 36" aerator)



4.6 3-Point Frame Assembly

1. Slide pillow block bearing onto shaft with shoulder in.
2. Attach pillow blocks to frame using four 1/2-13 x 3 1/2" hex head bolts, flat washers and nylon locknuts.
3. Center drum in frame and tighten set screws.



CAUTION

- Check Tractor's load capacity of the 3-point hitch
- DO NOT OVERLOAD TRACTOR

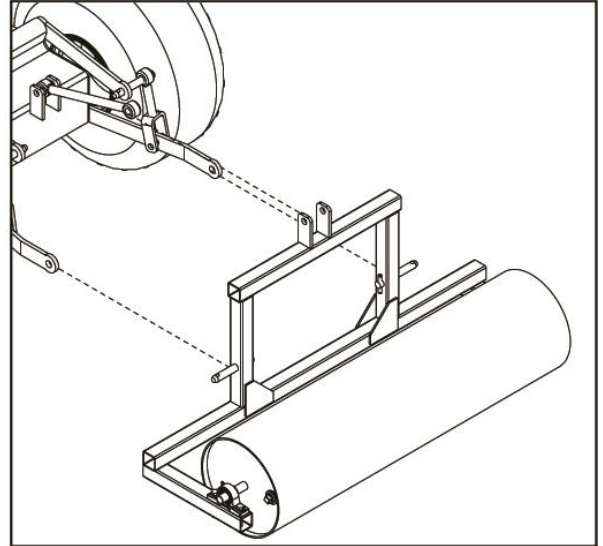


Owner's Manual

MMLR36B.2

4.7 Attach 3-point frame to tractor

1. Orient frame behind tractor and secure with pins.

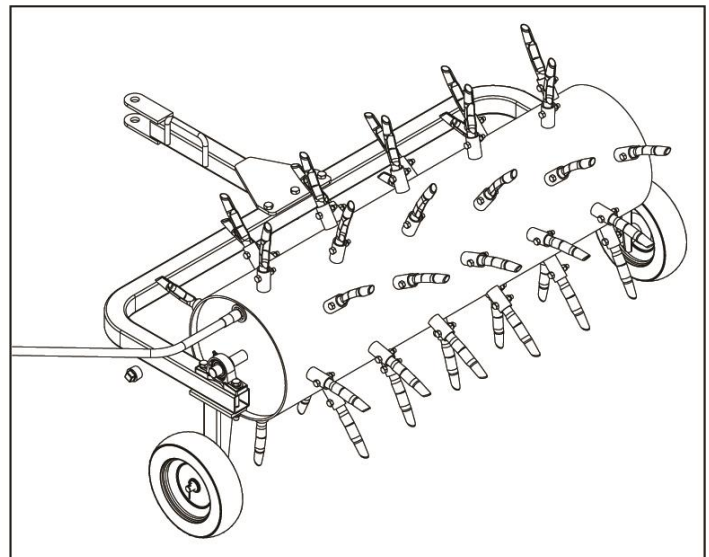


5 Operation

	<p>WARNING</p> <p>KEEP AWAY FROM:</p> <ul style="list-style-type: none">• Buried electric or gas lines.• Irrigation heads, lines and valves.• Children and bystanders.	
	<p>CAUTION</p> <ul style="list-style-type: none">• CLEAR THE AREA TO BE AERATED FROM ANY DEBRIS OR HAZARDS.• DO NOT AERATE WHERE ANY UNDER-GROUND UTILITIES MAY BE PRESENT.• DO NOT TOW THE ROLLER AT MORE THAN 6 MPH.• USE CAUTION ON SIDE HILLS AND UN-EVEN GROUND.	

5.1 Filling

1. With the aerator on its wheels, rotate the drum until the filler plug on one end of the drum is at the top.
2. Fill the aerator with water via the square pipe plug with a garden hose. The weight of the water helps the tines penetrate the ground fully.

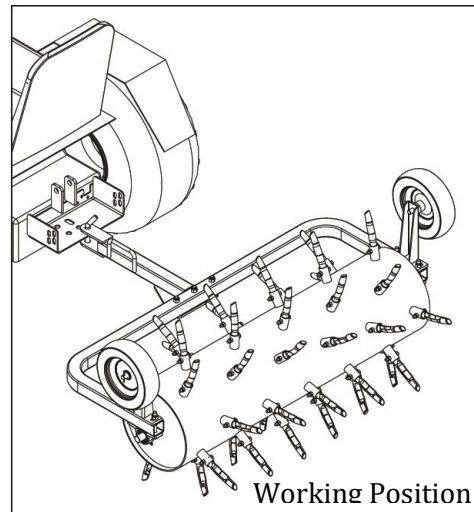
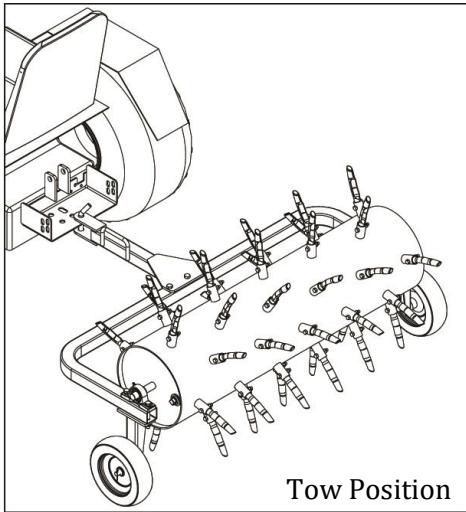
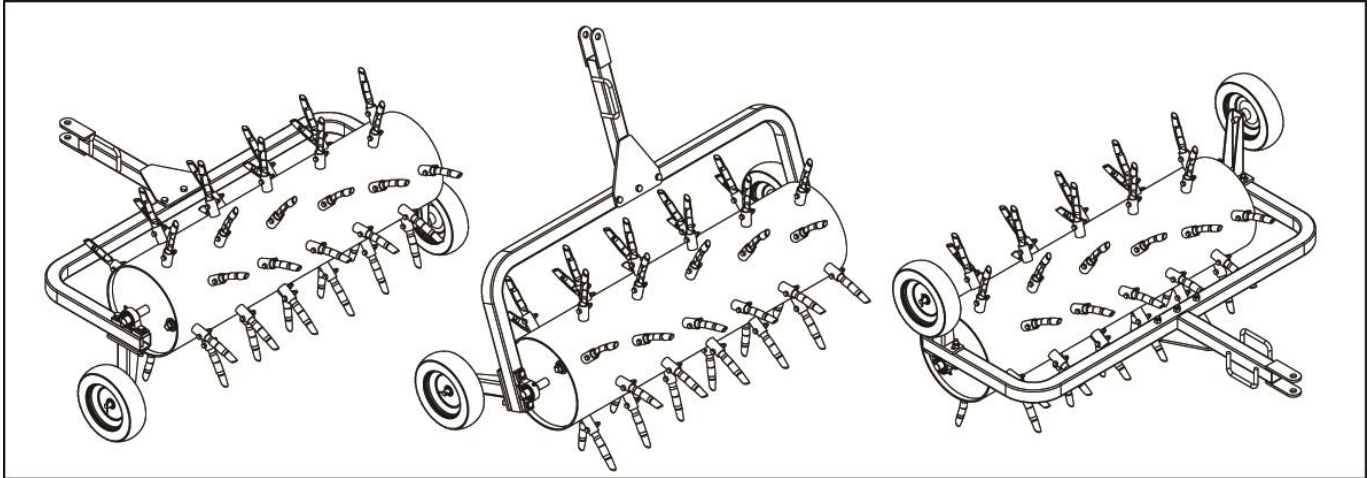


Owner's Manual

MMLR36B.2

5.2 Rotating Frame from Tow position to Working Position

1. Starting with the frame on its wheels, rotate the frame up and over the drum, to the working position.
2. Back the tow vehicle up and to this new position and secure the hitch.



6 Specifications

Specifications

P/N	Description	Width	Height	Length	Weight	Weight Filled
MLR36	Lawn Roller 36"	50	24	45	155	300
MLR3P48	Lawn Roller 48" 3-point Hitch	55	32.5	20	195	395
MLR48	Lawn Roller 48"	62	24	45	185	315
MSA3P48	Spike aerator 48" 3-point Hitch	55	36	22	198	398
MSAT36	Spike Aerator 36"	50	28	47	158	315
MSAT48	Spike Aerator 48"	62	28	47	190	390
MSP36	Plug Aerator 36"	50	30.5	52.5	165	320
MSP48	Plug Aerator 48"	62	30.5	52.5	200	400



20195 South Diamond Lake Road, Suite 100 • Rogers, MN 55374
 Toll-Free: 800-621-2789 • Website: maximmfg.com • Email: sales@maximmfg.com

Dear Valued Customer:

The Maxim Product you just purchased is built with the finest material and craftsmanship. Use this product properly and enjoy the benefits from its high performance. By purchasing a Maxim Product, you show a desire for quality and durability. Like all mechanical equipment this unit requires a due amount of care. Treat this unit like the high quality piece of machinery it is. Neglect and improper handling may impair its performance and is not covered by this limited warranty.

Thoroughly read the instructions and understand the operation before using your product. Always contact Maxim Product Support at 1-800-621-2789 prior to having any service or warranty work performed, as some services performed by parties other than Maxim approved service centers may void this warranty. This limited warranty is in lieu of any other warranty expressed or implied, written or oral and Maxim assumes no other responsibility or liability outside that expressed within this limited warranty.

**Limited Warranty for Maxim Product:
 Aerators, Lawn Rollers, Plows, Tillers, Trimmers**

**Excludes MTC35H Mini Max Tiller/Cultivator*

	Consumer Warranty Period	Commercial Warranty Period
Weldments	2 years from date of purchase by user	2 years from date of purchase by user
Gear Case	2 years from date of purchase by user	1 year from date of purchase by user
Wear Parts	In addition to the normal warranty, Maxim shall warrant some normal wear items from defects in material or workmanship for a period of 30 days from the date of purchase by user. Normal wear items covered under this warranty are limited to: High impact wear related components such as standard retention hardware for wear items, tines and tine assemblies, seals, seal shields, bearings, bushings, gaskets, belts, roller chain, tires and wheel assemblies, throttle or choke control and cable assemblies, mower and edger blades, mower deck pans. Routine maintenance items such as lubricants, belt adjustments, tune ups, and damage from operation with loose hardware are not covered under limited warranty.	
Engines	The engine warranty is covered under the terms and conditions as outlined by the engine manufactures warranty contained herein and is the sole responsibility of the engine manufacturer. Normal engine maintenance such as spark plugs, oil changes, air filters, adjustments, fuel system cleaning and obstruction due to build up is not covered by this Maxim limited warranty.	

“Consumer use” means personal residential household use by a consumer. “Commercial use” means all other uses, including, but not limited to, use for commercial, income producing or rental purposes or when purchased by a business.

This limited warranty applies to the original purchaser of the equipment (verification of purchase, in the form of a receipt, is the responsibility of the buyer), is non-transferable, and covers parts and labor. Parts will be replaced or repaired at no charge, except when the equipment has failed due to lack of proper maintenance. If a part is no longer available, the part may be replaced with a similar part of equal function. Any misuse, abuse, alteration or improper installation or operations will void warranty. Determining whether a part is to be replaced or repaired is the sole decision of Maxim. Maxim will not provide for replacement of complete products due to defective parts. Any costs incurred due to replacement or repair of items outside of a Maxim approved facility is the responsibility of the buyer and not covered under warranty. Transportation costs to and from service center and/or service calls are the responsibility of the customer.

This limited warranty specifically excludes the following; failure of parts due to damage caused by accident, fire, flood, windstorm, acts of God, applications not approved by Maxim in writing, corrosion caused by chemicals, use of replacement parts which do not conform to manufacturer’s specifications, damage related to rodent and/or insect infestation and damage caused by vandalism. Additional exclusions: loss of running time, inconvenience, loss of income, or loss of use, including any implied warranty of merchantability of fitness for a specific use. Also, outdoor power equipment needs periodic parts and service to perform well, and this limited warranty does not cover instances when normal use has exhausted the life of a component or the engine.

This limited warranty does not cover any personal injury or damage to surrounding property caused by failure of any part, misuse or inability to use the product. Alteration of the product, including safety features, shall void this limited warranty.



MLR36 | MLR48 | MLR3P48
MSP36 | MSP48 | MSP3P48
MSAT36 | MSAT48 | MSA3P48

Owner's Manual

MMLR36B.2



MLR36 | MLR48 | MLR3P48
MSP36 | MSP48 | MSP3P48
MSAT36 | MSAT48 | MSA3P48

Owner's Manual

MMLR36B.2



Maxim

A Brand of Great Northern Equipment Distributing, Inc.
20195 South Diamond Lake Road
Suite 100
Rogers, MN 55374
www.maximmfg.com
800-621-2789