

# POWERHORSE®

## Power Broom

### Owner's Manual



**⚠ WARNING:** Read carefully and understand all ASSEMBLY AND OPERATION INSTRUCTIONS before operating. Failure to follow the safety rules and other basic safety precautions may result in serious personal injury.

Item# **6114501**

**READ & SAVE THESE INSTRUCTIONS**

Thank you very much for choosing a Powerhorse product!

For future reference, please complete the owner's record below:

Serial Number/Lot Date Code (if applicable): \_\_\_\_\_

Purchase Date: \_\_\_\_\_

Save the receipt, warranty, and this manual. It is important that you read the entire manual to become familiar with this product before you begin using it.

This product is designed for certain applications only. Northern Tool and Equipment is not responsible for issues arising from modification or improper use of this product such as an application for which it was not designed. We strongly recommend that this product not be modified and/or used for any application other than that for which it was designed.

For technical questions, please call **1-800-222-5381**.

## Table of Contents

<b>Intended Use.....</b>	<b>4</b>
<b>Packaging Contents.....</b>	<b>4</b>
<b>Technical Specifications .....</b>	<b>4</b>
<b>Important Safety Information .....</b>	<b>4</b>
<b>Specific Operation Warnings .....</b>	<b>7</b>
<b>Water Temperature &amp; Usage Guidelines .....</b>	<b>8</b>
<b>Main Parts of Product .....</b>	<b>9</b>
<b>Assembly Instructions.....</b>	<b>10</b>
<b>Before Each Use.....</b>	<b>11</b>
<b>Operating Instructions.....</b>	<b>12</b>
<b>After Each Use.....</b>	<b>14</b>
<b>Maintenance .....</b>	<b>14</b>
<b>Troubleshooting .....</b>	<b>15</b>
<b>Parts Diagram.....</b>	<b>17</b>
<b>Parts List.....</b>	<b>17</b>
<b>Replacement Parts .....</b>	<b>18</b>
<b>Limited Warranty .....</b>	<b>19</b>

## Intended Use

**Product Name: High-Pressure Floor Cleaning Spray Head with Brush and squeegee strip**

**How to Use:** Connect the spray head to a high-pressure water system. Use the brush to scrub dirt and debris, and the squeegee strip to wipe away water and stains from smooth surfaces.

### Functions:

1. **High-Pressure Spray:** Cleans floors with powerful water jets.
2. **Brush:** Scrubs away dirt and debris.
3. **squeegee strip:** Removes water stains and excess water.
4. **Dual Options:** Use the brush for scrubbing or the squeegee strip for drying.

### Benefits:

1. **Efficient Cleaning:** Combines scrubbing and drying in one tool.
2. **Versatile:** Suitable for various floor types like tile, concrete, and stone.
3. **Time-Saving:** Cleans and dries floors quickly.
4. **Easy to Use:** Lightweight and ergonomic for effortless handling.

### Examples of Use:

- **Commercial Kitchens:** Scrub and dry floors after cooking.
- **Industrial Spaces:** Clean factory or warehouse floors efficiently.
- **Home Use:** Clean patios and driveways after rain or outdoor events.

## Packaging Contents

- Spray Head x 1
- Brush Bar x 1
- squeegee strip x 1

## Technical Specifications

Property	Specification
Pressure Range	1000-4000 PSI
Connector	1/4 inch
Nozzles	High-powered nozzles for broad, wide-area cleaning
Brush Strip	For scrubbing, versatile use
Efficiency	Quickly cleans large areas, saving time and effort

## Important Safety Information

### **⚠️WARNING**

- Read and understand all instructions. Failure to follow all instructions may result in serious injury

or property damage.

- The warnings, cautions, and instructions in this manual cannot cover all possible conditions or situations that could occur. Exercise common sense and caution when using this tool. Always be aware of the environment and ensure that the tool is used in a safe and responsible manner.
- Do not allow persons to operate or assemble the product until they have read this manual and have developed a thorough understanding of how it works.
- Do not modify this product in any way. Unauthorized modification may impair the function and/or safety and could affect the life of the product. There are specific applications for which the product was designed.
- Use the right tool for the job. DO NOT attempt to force small equipment to do the work of larger industrial equipment. There are certain applications for which this equipment was designed. This product will be safer and do a better job at the capacity for which it was intended. DO NOT use this equipment for a purpose for which it was not intended.
- Industrial or commercial applications must follow OSHA requirements.

## **⚠WARNING**

### **PROP 65**

- This product can expose you to chemicals including lead, which is known to the State of California to cause cancer. For more information, go to [www.p65warnings.ca.gov](http://www.p65warnings.ca.gov).
- Some dust created by power sanding, sawing, grinding, drilling, and other construction activities contains chemicals known to the state of California to cause cancer, birth defects, or other reproductive harm. Some examples of these chemicals are:
  - - lead from lead-based paints,
  - - crystalline silica from bricks and cement and other masonry products, and
  - - arsenic and chromium from chemically-treated lumber.
- Your risk from these exposures varies depending on how often you do this type of work. To reduce your exposure to these chemicals, work in a well-ventilated area, and work with approved safety equipment, such as dust masks that are specially designed to filter out microscopic particles.
- Handling power cords on corded products may expose you to lead, a chemical known to the state of California to cause cancer and birth defects or other reproductive harm. Wash your hands after handling.

## **⚠WARNING**

### **WORK AREA SAFETY**

- Inspect the work area before each use. Keep work area clean, dry, free of clutter, and well-lit. Cluttered, wet, or dark work areas can result in injury. Using the product in confined work areas may put you dangerously close to cutting tools and rotating parts.
- Do not use the product where there is a risk of causing a fire or an explosion; e.g., in the presence

of flammable liquids, gases, or dust. The product can create sparks, which may ignite the flammable liquids, gases, or dust.

- Do not allow the product to come into contact with an electrical source. The tool is not insulated and contact will cause electrical shock.
- Keep children and bystanders away from the work area while operating the tool. Do not allow children to handle the product.
- Be aware of all power lines, electrical circuits, water pipes, and other mechanical hazards in your work area. Some of these hazards may be hidden from your view and may cause personal injury and/or property damage if contacted.

## **⚠WARNING**

### **PERSONAL SAFETY**

- Stay alert, watch what you are doing, and use common sense when operating the tool. Do not use the tool while you are tired or under the influence of drugs, alcohol, or medication. A moment of inattention while operating the tool may result in serious personal injury.
- Dress properly. Do not wear loose clothing, dangling objects, or jewelry. Keep your hair, clothing and gloves away from moving parts. Loose clothes, jewelry, or long hair can be caught in moving parts. Air vents on the tool often cover moving parts and should be avoided.
- Wear the proper personal protective equipment when necessary. Use ANSI Z87.1 compliant safety goggles (not safety glasses) with side shields, or when needed, a face shield. Use a dust mask in dusty work conditions. Also use non-skid safety shoes, hardhat, gloves, dust collection systems, and hearing protection when appropriate. This applies to all persons in the work area.
- Do not overreach. Keep proper footing and balance at all times.
- Remove keys or wrenches before connecting the tool to an air supply, power supply, or turning on the tool. A wrench or key that is left attached to a rotating part of the tool may cause personal injury.
- Secure the work with clamps or a vise instead of your hand when practical. This safety precaution allows for proper tool operation using both hands.

## **⚠CAUTION**

### **PRODUCT USE AND CARE**

- Do not force the product. Products are safer and do a better job when used in the manner for which they are designed. Plan your work and use the correct product for the job.
- Check for damaged parts before each use. Carefully check that the product will operate properly and perform its intended function. Replace damaged or worn parts immediately. Never operate the product with a damaged part.
- Do not use a product with a malfunctioning switch. Any power tool that cannot be controlled with the power switch is dangerous and must be repaired by an authorized service representative before using.
- Disconnect the power/air supply from the product and place the switch in the locked or off position

before making any adjustments, changing accessories, or storing the tool. Such preventive safety measures reduce the risk of starting the tool accidentally.

- Store the product when it is not in use. Store it in a dry, secure place out of the reach of children. Inspect the tool for good working condition prior to storage and before re-use.
- Use only accessories that are recommended by the manufacturer for use with your product. Accessories that may be suitable for one product may create a risk of injury when used with another tool. Never use an accessory that has a lower operating speed or operating pressure than the tool itself.
- Keep guards in place and in working order. Never operate the product without the guards in place.
- Do not leave the tool running unattended.

## Specific Operation Warnings

### **WARNING**

- **Pressure Range:** The recommended working pressure for this cleaning device is between 1000 and 4000 PSI. For optimal cleaning results, ensure your pressure washer is adjusted within this range. Using pressure outside this range may affect cleaning efficiency or damage the equipment.
- **Brush and squeegee strip Selection:**
  - **For smooth surfaces,** always use the **squeegee strip** to achieve a uniform, streak-free finish.
  - **For rough or uneven surfaces,** switch to the **brush strip** to provide better agitation and more effective cleaning.  
**Note:** Choose the correct strip based on the surface you are cleaning to avoid excessive wear or reduced performance.
- **Installation of Brush and squeegee strip:**
  - The brush and squeegee strip are designed with a snap-fit installation mechanism.
  - **Important:** Do not force or apply excessive pressure when installing or removing the strips. Doing so could damage the snap-fit clips or cause improper installation. Ensure the strips are securely locked into place to maintain proper functionality.
- **Safety Precautions with Nozzle and High Pressure:**
  - **Never point the spray nozzle directly at any part of the body,** including hands or feet.
  - The high-pressure water stream can cause serious injury, including skin lacerations and bruising, even at lower pressure levels. Always aim the nozzle away from people and animals to avoid accidents.
- **Handling and Storage:**
  - After use, always disconnect the device from the pressure washer and store it in a safe place.
  - Avoid exposing the device to extreme temperatures or direct sunlight for extended periods, as this can degrade the materials and affect performance.

## Water Temperature & Usage Guidelines

### ⚠WARNING

- To ensure the safe and effective operation of your product and to avoid potential damage or reduced performance, please carefully adhere to the following guidelines regarding water temperature and usage conditions
- **Ensure Proper Water Supply:** For optimal performance, ensure the water supply is clean and free from debris. Contaminants in the water can clog the spray nozzle or affect cleaning performance.
- **Temperature Limitations:** Do not use hot water above 140°F (60°C) with the product, as excessive heat may damage the squeegee strip and brush materials, or affect the seals.
- **Prevent Freezing in Cold Conditions:** If storing or using the product in freezing conditions, ensure that all water is drained from the tool to prevent damage from frozen water inside the hoses or nozzles.

**Limit Maximum Water Temperature:** The recommended maximum water temperature for the product is typically 140°F (60°C). Using water above this temperature can damage rubber seals, brushes, or nozzles, leading to deformation or premature wear of parts.

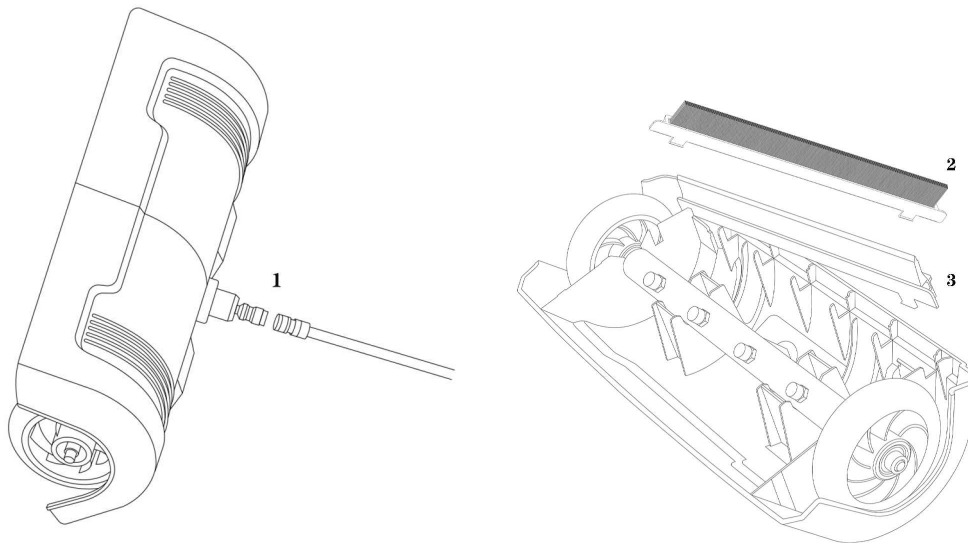
**Hot Water Helps with Stubborn Stains:** Warm water can assist in removing oil, grease, and tough stains. However, temperatures above 120°F (50°C) should be avoided to balance cleaning effectiveness and tool protection.

**Avoid Using Freezing Water:** In cold conditions, avoid using freezing water, as it can cause the hoses, nozzle, or other components to freeze and potentially break. Make sure that no water remains in the hoses to avoid freeze damage.

**Avoid Prolonged Exposure to High Temperatures:** When using the product in hot environments, avoid prolonged exposure to direct sunlight. High temperatures may cause hoses and other materials to become brittle or faded.

**High Water Temperature and Cleaning Effects:** In some cases, excessively hot water may negatively affect certain surfaces. For instance, very hot water could cause reactions with paints or cleaners, resulting in adverse effects. It is crucial to select the appropriate temperature for different cleaning tasks.

## Main Parts of Product



Follow these steps to assemble the product:

---

### Step 1: Attach the 1/4-inch Connector

Take the **1/4-inch Connector** (Reference Number: 1).  
Align it with the main body and twist clockwise until secure.  
Ensure it's tight to prevent leaks.

---

### Step 2: Install the Brush or squeegee strip

You can switch between the **Brush Strip** (Reference Number: 2) and **squeegee strip** (Reference Number: 3).

Choose the desired strip (Brush or squeegee ).

Align the strip with the slot on the cleaning head.

Slide it in until it clicks into place.

Ensure it's secure and doesn't wobble.

---

### Step 3: Verify Assembly

Check that the **1/4-inch Connector** is tight.  
Ensure the installed strip is firmly in place.  
Gently tug the strip to confirm it's secure.

---

#### Step 4: Test the Product

Connect to a water supply and turn it on.  
Check for leaks and test on a small area.

---

#### Step 5: Switching Strips

Turn off the water supply and disconnect the product.  
Remove the installed strip by gently pulling it out.  
Install the alternate strip by following **Step 2**.  
Reconnect and test.

---

#### Notes

Always turn off the water before switching strips.  
Do not force the strips into the slot.  
Regularly check for wear or damage and replace parts if needed.

By following these steps, you can safely assemble and use your product.

Subassembly
1: 1/4-inch Connector
2: Brush Strip
3: squeegee strip

### Assembly Instructions

#### **⚠WARNING**

- **Proper Assembly is Required:** Ensure that all components are correctly assembled as per the instructions. Improper assembly can lead to malfunction, reduced performance, or potential safety hazards.
- **Use Correct Tools:** Only use the specified tools for assembly. Using incorrect or makeshift tools can damage the parts and compromise the integrity of the product.
- **Do Not Force Parts Together:** Never force any components during assembly. Forcing parts may result in damage to the components or the product, leading to potential malfunction or safety risks.
- **Check for Missing Parts:** Before beginning assembly, verify that all parts listed in the instruction manual are present. Missing parts can lead to incomplete or unsafe assembly.
- **Wear Protective Gear:** Always wear appropriate safety gear (such as gloves and safety glasses)

when handling sharp or heavy parts during assembly.

- **Assembly by Qualified Personnel:** If you are unsure about the assembly process or have any doubts, contact a qualified technician to assist with assembly to ensure safety and proper function.
- **Keep Small Parts Away from Children:** During assembly, keep small parts out of the reach of children to prevent accidental swallowing or choking hazards.
- **Ensure Stability During Assembly:** Make sure the assembly is done on a stable surface to prevent parts from falling and causing injury or damage.
- **Power Off Before Connecting:** If the product requires electrical connections, ensure that the power is turned off before making any electrical connections to avoid the risk of electric shock.

## Before Each Use

### **WARNING**

- **Inspect for Damage:** Carefully check the product for any visible damage, wear, or cracks, particularly in the hose, nozzles, and connectors. Do not use the product if any part is damaged.
- **Check Connections:** Ensure that all connections, including the quick-connect fittings and hose connections, are secure before use. Loose connections can lead to leaks or loss of pressure.
- **Ensure Proper Pressure:** Verify that the water pressure is within the recommended range for the product (1000-4000 PSI). Using incorrect pressure can damage the product or lead to ineffective cleaning.
- **Ensure Proper Functioning of Safety Mechanisms:** Confirm that all safety mechanisms, such as pressure relief valves, are functioning properly before starting the machine.
- **Water Supply Check:** Make sure the water supply is turned on and the hose is not kinked or blocked. Restricted water flow can lead to overheating or malfunction.
- **Clear the Area:** Remove any obstacles or debris from the area around the product to prevent accidents during operation.
- **Wear Appropriate Protective Gear:** Always wear suitable personal protective equipment (PPE), such as gloves and safety goggles, to protect yourself from high-pressure water, dirt, or debris.

### Before Each Use:

- **Inspect the Product:**
  - Visually check the product for any signs of damage, wear, or loose parts, especially the hose, nozzles, connectors, and seals.
- **Ensure Proper Connections:**
  - Confirm that all connections, including the quick-connect fittings and hose attachments, are securely tightened to avoid leaks or loss of pressure.

- **Check the Water Supply:**
  - Verify that the water supply is connected and turned on. Ensure the hose is not kinked or blocked, which could restrict water flow.
- **Check the Pressure Setting:**
  - Ensure the water pressure is set within the recommended range (1000-4000 PSI) for optimal performance and safety.
- **Test the Safety Mechanisms:**
  - Confirm that all safety features, such as the pressure relief valve, are functioning correctly to prevent accidents during use.
- **Clear the Work Area:**
  - Remove any obstacles, debris, or objects from the area to ensure safe and efficient operation.
- **Wear Protective Gear:**
  - Always wear suitable personal protective equipment (PPE), such as gloves and safety goggles, to protect yourself from high-pressure water and flying debris.
- **Perform a Quick Function Test:**
  - Turn on the product briefly to ensure that it is working properly before starting the cleaning task.

## Operating Instructions

### ⚠️ WARNING

- **Do Not Aim at People or Animals:** Never point the nozzle or spray directly at people, animals, or yourself. The high-pressure water can cause serious injury or harm.
- **Maintain Proper Distance:** Always maintain a safe distance between the nozzle and the surface you are cleaning. Getting too close can cause damage to the surface or result in injury.
- **Avoid Overexertion:** Do not apply excessive force when operating the product, especially when connecting or disconnecting parts. Forcing components can lead to damage or malfunction.
- **Monitor Pressure Levels:** Continuously monitor the water pressure. Operating the product at pressure levels outside the recommended range can damage both the tool and the surface being cleaned.
- **Do Not Block the Water Flow:** Never block the nozzle or water outlet. Blockages can cause pressure build-up, potentially damaging the unit or causing personal injury.
- **Never Use with Inadequate Water Supply:** Ensure there is always a consistent and adequate water supply when operating the pressure washer. Running the machine without water can cause

severe damage to the pump.

- **Check for Leaks During Operation:** Regularly inspect the product for any leaks or abnormal noise during operation. Leaks may indicate a malfunction, which could affect performance or safety.
- **Avoid Operating in Extreme Conditions:** Do not use the product in extreme weather conditions, such as high winds or freezing temperatures, which may affect the tool's functionality and safety.

## **How to Operate the Product:**

### **Step 1: Prepare the Product and Area**

Inspect the product for any visible damage or wear before use.

Clear the area of any debris or obstacles to ensure a safe working environment.

### **Step 2: Connect to the High-Pressure Gun**

Attach the quick-connect fitting (1/4 quick-connect) securely to the high-pressure gun.

Ensure the connection is tight to avoid leaks or loss of pressure.

### **Step 3: Connect the Water Supply**

Connect the hose to the water supply and ensure there are no kinks.

Turn on the water supply to allow proper water flow.

### **Step 4: Set the Pressure**

Adjust the pressure to the recommended range (1000-4000 PSI) depending on the surface you are cleaning.

Use lower pressure for delicate surfaces and higher pressure for tough stains or rough surfaces.

### **Step 5: Attach the Brush or squeegee strip**

Attach the brush or squeegee strip by aligning it with the quick-connect slot. Insert it and ensure you hear a "click" to confirm it is securely locked.

### **Step 6: Begin Cleaning**

Hold the gun firmly and point it at the surface you wish to clean.

Start the product by pulling the trigger. Maintain a safe distance from the surface (6 - 12 inches) to avoid damage.

### **Step 7: Adjust as Needed**

Adjust the nozzle or switch between brush and squeegee strip depending on the surface type. Use the brush for rougher surfaces and the squeegee strip for smoother, flat surfaces.

## Step 8: Turn Off the Product

Release the trigger to stop water flow.

Turn off the water supply and disconnect the product once you're finished.

### After Each Use

#### **⚠️WARNING**

**Release Pressure:** Always turn off the machine and trigger the spray gun to release any remaining water pressure in the system before disconnecting hoses or performing maintenance. High pressure (1000-4000 PSI) can cause serious injury or damage.

**Disconnect Power:** Ensure the unit is powered off and unplugged from the electrical outlet after use.

**Drain Water:** Drain all water from the hoses, pump, and spray gun to prevent freezing or damage to the components.

**Inspect Equipment:** Check hoses, fittings, and the spray gun for signs of wear, cracks, or leaks. Replace damaged parts immediately.

**Store Properly:** Coil hoses neatly and store the unit in a dry, cool place away from direct sunlight or extreme temperatures.

**Check for Debris:** Inspect the water inlet filter and remove any debris or dirt that may have accumulated during use. A clean filter ensures optimal water flow and prevents damage to the pump.

**Lubricate Moving Parts:** If your product has moving parts (e.g., spray gun trigger or hose connections), apply a small amount of lubricant to keep them functioning smoothly.

**Inspect Seals and O-Rings:** Check the seals and O-rings for wear or damage. Replace them if necessary to prevent leaks and maintain pressure efficiency.

**Run Clean Water (if used with chemicals):** If you used detergents or chemicals, run clean water through the system for a few minutes to flush out any residue and prevent corrosion.

**Record Usage:** Keep a log of usage hours or maintenance activities to track when the next service or part replacement is due.

**Store Accessories Properly:** Organize and store all accessories (e.g., nozzles, brushes) in a designated case or container to avoid loss or damage.

### Maintenance

#### **⚠️WARNING**

- Keep children and pets away from the equipment during and after use. Store the unit in a secure location to prevent unauthorized use.

Maintain the product by following a regular program of inspection, cleaning, and maintenance as outlined below. It is recommended to check the general condition of the pressure washer before each use. Keep your pressure washer in good working order by performing routine maintenance tasks. Ensure that all nozzles, hoses, and fittings are clean and free from debris. Properly maintained equipment is less likely to malfunction and operates more efficiently. Keep the exterior of the machine dry, clean, and free from oil, grease, or chemical residue.

Maintenance Interval	Maintenance Point
Daily before operating	<p>Inspect the Machine's Condition:            Check the exterior for any visible damage, cracks, or leaks.            Ensure all parts (e.g., brushes, handles, wheels) are intact and in good condition.</p> <p>Check the Water Supply (if applicable):            If the cleaner uses water, ensure the water supply is clean and free of debris.</p> <p>Test the Cleaning Function:            Run the machine briefly to ensure it operates smoothly and cleans effectively.</p> <p>Check the Brushes or Cleaning Heads:            Inspect the brushes or cleaning heads for debris or tangled materials. Clean them if necessary.</p>
After the first 20 operating hours	<p>Clean the Brushes or Cleaning Heads Thoroughly:            Remove any debris, dirt, or tangled materials from the brushes or cleaning heads. Ensure they rotate freely and are not worn out.</p> <p>Inspect the Wheels and Moving Parts:            Check the wheels and any moving parts for wear or damage. Lubricate them if necessary to ensure smooth operation.</p> <p>Clean the Machine Exterior:            Wipe down the exterior of the machine to remove dirt, grease, or residue.</p> <p>Check the Nozzle and Controls:            Ensure the nozzle and controls are functioning properly and are free from damage.</p>
After the first 50 operating hours or every week	<p>Inspect the Brushes or Cleaning Heads for Wear:            Check the brushes or cleaning heads for excessive wear. Replace them if they are no longer effective.</p> <p>Check the Wheels and Axles:            Inspect the wheels and axles for wear or damage. Replace them if necessary.</p> <p>Clean the Water Flow Path (if applicable):            If the cleaner uses water, flush the system with clean water to remove any buildup of dirt or debris.</p> <p>Inspect the Nozzle and Controls:            Ensure the nozzle and controls are secure and functioning properly. Tighten any loose parts.</p> <p>Record Maintenance Activities:            Keep a log of maintenance dates, replaced parts, and any issues noticed for future reference.</p>

## Troubleshooting

### ⚠WARNING

Always turn off and unplug the machine (if applicable) before attempting any troubleshooting or repairs.

Do not attempt to disassemble or repair the machine while it is in operation or connected to a power source.

Avoid contact with moving parts, such as brushes or wheels, during inspection or maintenance.

If the machine uses water, ensure the water supply is turned off before checking for leaks or blockages.

Use only manufacturer-recommended replacement parts to avoid damage or safety hazards.

If you are unsure about any repair or troubleshooting steps, contact a qualified technician or the manufacturer's customer service for assistance.

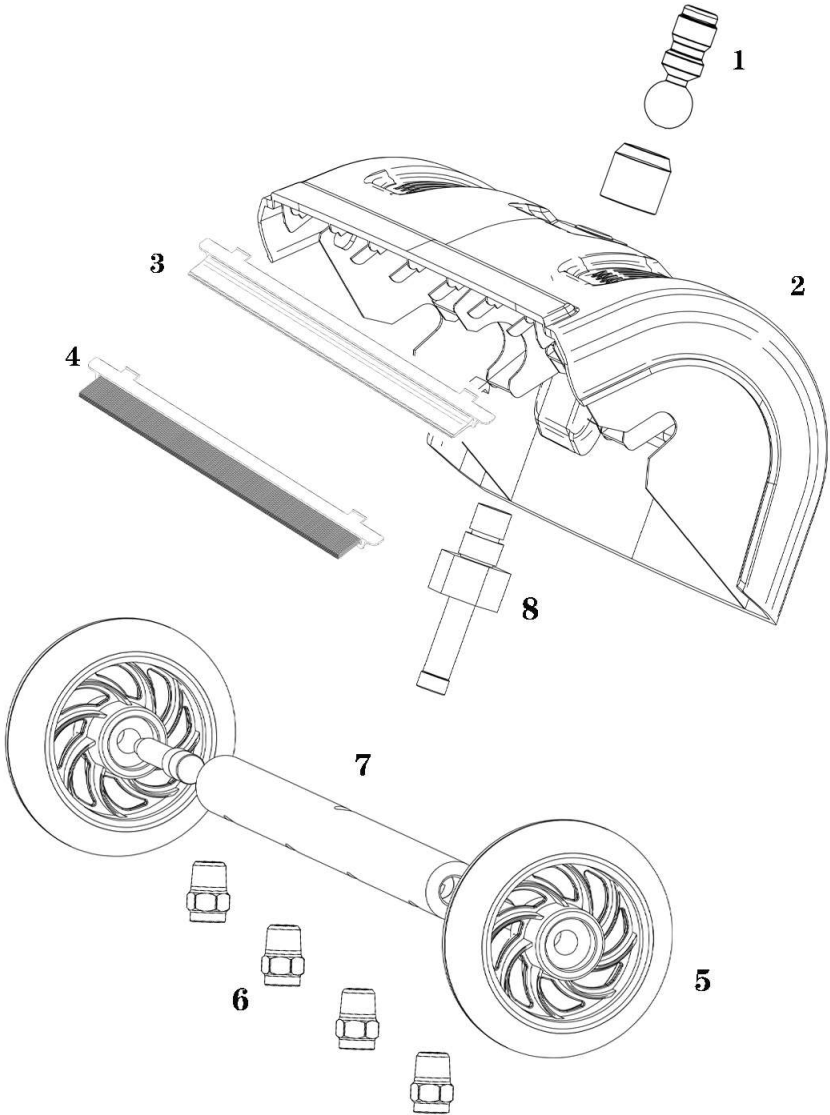
Use the table below to troubleshoot problems before contacting service personnel or your local dealer. If the problem continues after troubleshooting, call your local dealer for assistance.

Failure	Possible Cause	Corrective Action
<b>Machine does not start</b>	Power source not connected (if applicable).	Check power connection and ensure the machine is plugged in.
	Water supply not turned on.	Turn on the water supply.
<b>Reduced cleaning performance</b>	Brushes or cleaning heads are worn or clogged.	Clean or replace brushes/cleaning heads.
	Water pressure is too low.	Check water supply and increase pressure if possible.
<b>Water leakage</b>	Loose connections or damaged seals.	Tighten connections or replace seals.
	Cracked water tank or hose (if applicable).	Inspect and replace damaged parts.
<b>Unusual noise or vibration</b>	Foreign objects stuck in brushes or wheels.	Remove any foreign objects.
	Loose or damaged components.	Tighten or replace loose/damaged parts.
<b>Machine moves unevenly</b>	Wheels are worn or damaged.	Inspect and replace wheels if necessary.
	Uneven surface or debris on the cleaning path.	Clear debris and ensure a flat cleaning path.
<b>Nozzle is clogged</b>	Dirt or debris trapped in the nozzle.	Clean it thoroughly with water or a small brush.
	Mineral buildup from hard water.	Soak the nozzle in vinegar to remove

		mineral deposits if necessary.
--	--	--------------------------------

**Parts Diagram**

**Parts List**



Reference	Part Number	Part Description	Quantity
1	1/4" Quick Connect	Used for connecting to the high-pressure gun	1
2	Spray Head Cap	Used to block splashing water	1
3	squeegee strip	Used for cleaning water stains	1
4	Brush Strip	Used for scrubbing dirt	1
5	Wheels	Used for easy movement	2
6	Small Spray Nozzles	Used for spraying water	4
7	Crossbar	Used to mount the spray nozzles	1
8	Main Shaft	Used to fix the entire product	1

## Replacement Parts

- For replacement parts and technical questions, please call Customer Service at **1-800-222-5381**.
- Not all product components are available for replacement. The illustrations provided are a convenient reference to the location and position of parts in the assembly sequence.
- When ordering parts, the following information will be required: item description, item model number, item serial number/item lot date code, and the replacement part reference number.
- The distributor reserves the rights to make design changes and improvements to product lines and manuals without notice.

## Limited Warranty

Northern Tool and Equipment Company, Inc. ("We" or "Us") warrants to the original purchaser only ("You" or "Your") that the Powerhorse product purchased will be free from material defects in both materials and workmanship, normal wear and tear excepted, for a period of one year from date of purchase. The foregoing warranty is valid only if the installation and use of the product is strictly in accordance with product instructions. There are no other warranties, express or implied, including the warranty of merchantability or fitness for a particular purpose. If the product does not comply with this limited warranty, Your sole and exclusive remedy is that We will, at our sole option and within a commercially reasonable time, either replace the product or product component without charge to You or refund the purchase price (less shipping). This limited warranty is not transferable.

### Limitations on the Warranty

This limited warranty does not cover: (a) normal wear and tear; (b) damage through abuse, neglect, misuse, or as a result of any accident or in any other manner; (c) damage from misapplication, overloading, or improper installation; (d) improper maintenance and repair; and (e) product alteration in any manner by anyone other than Us, with the sole exception of alterations made pursuant to product instructions and in a workmanlike manner.

### Obligations of Purchaser

You must retain Your product purchase receipt to verify date of purchase and that You are the original purchaser. To make a warranty claim, contact Us at 1-800-222-5381, identify the product by make and model number, and follow the claim instructions that will be provided. The product and the purchase receipt must be provided to Us in order to process Your warranty claim. Any returned product that is replaced or refunded by Us becomes our property. You will be responsible for return shipping costs or costs related to Your return visit to a retail store.

### Remedy Limits

Product replacement or a refund of the purchase price is Your sole remedy under this limited warranty or any other warranty related to the product. We shall not be liable for: service or labor charges or damage to Your property incurred in removing or replacing the product; any damages, including, without limitation, damages to tangible personal property or personal injury, related to Your improper use, installation, or maintenance of the product or product component; or any indirect, incidental or consequential damages of any kind for any reason.

### Assumption of Risk

You acknowledge and agree that any use of the product for any purpose other than the specified use(s) stated in the product instructions is at Your own risk.

### Governing Law

This limited warranty gives You specific legal rights, and You also may have other rights which vary from state to state. Some states do not allow limitations or exclusions on implied warranties or incidental or consequential damages, so the above limitations may not apply to You. This limited warranty is governed by the laws of the State of Minnesota, without regard to rules pertaining to conflicts of law. The state courts located in Dakota County, Minnesota shall have exclusive jurisdiction for any disputes relating to this warranty.



Distributed by:

Northern Tool & Equipment Company, Inc.

Burnsville, Minnesota 55306

[www.northerntool.com](http://www.northerntool.com)

Made in **China**