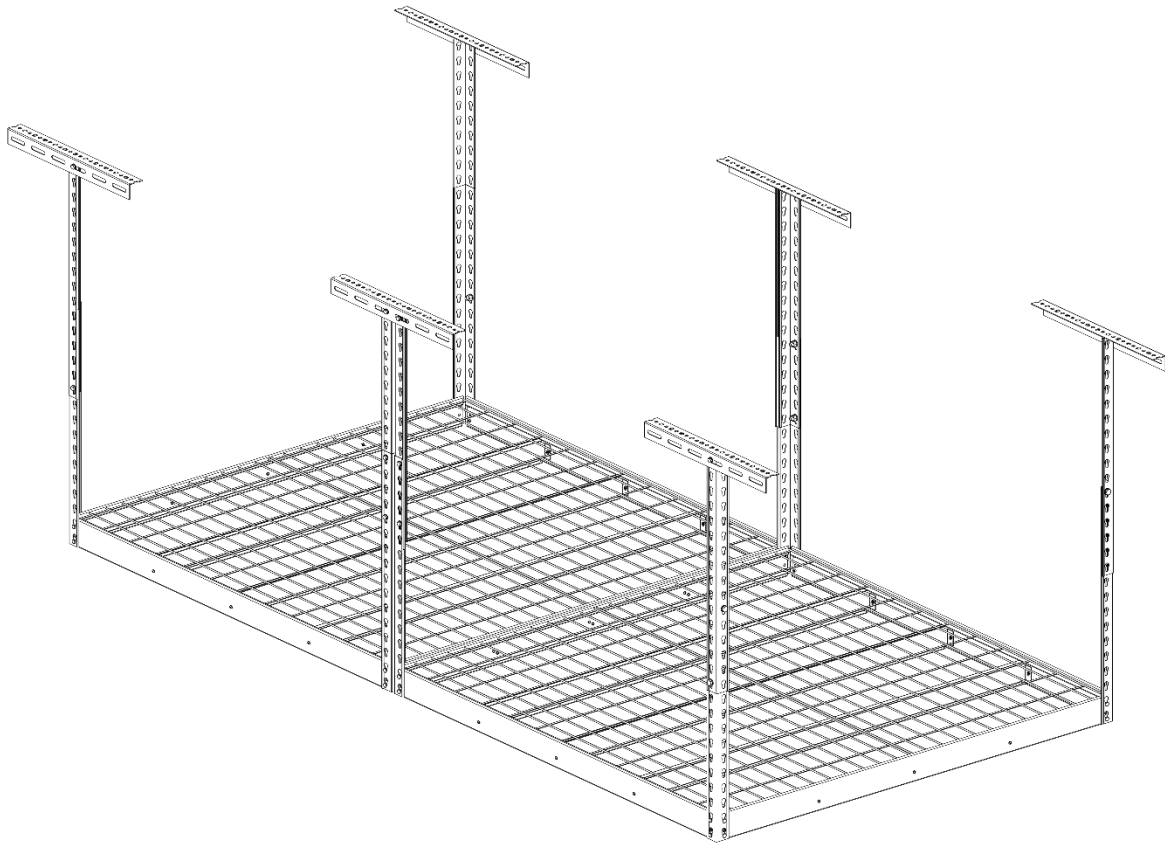


# KLUTCH™

## 48IN. X 96IN. OVERHEAD STORAGE RACK

### Owner's Manual



**⚠ WARNING:** Read carefully and understand all ASSEMBLY AND OPERATION INSTRUCTIONS before operating. Failure to follow the safety rules and other basic safety precautions may result in serious personal injury.

Item #6111019

**READ & SAVE THESE INSTRUCTIONS**

Thank you very much for choosing an KLUTCH® product!

For future reference, please complete the owner's record below:

Serial Number/Lot Date Code: \_\_\_\_\_

Purchase Date: \_\_\_\_\_

Save the receipt, warranty, and this manual. It is important that you read the entire manual to become familiar with this product before you begin using it.

This shelving rack is designed for certain applications only. Northern Tool & Equipment is not responsible for issues arising from modification or improper use of this product such as an application for which it was not designed. We strongly recommend that this product not be modified and/or used for any application other than that for which it was designed.

For technical questions, please call **1-800-222-5381**.

## Table of Contents

Intended Use .....	4
Packaging Contents .....	4
Technical Specifications .....	4
Important Safety Information.....	5
Specific Operation Warnings.....	6
Main Parts of Shelving Rack.....	7
Assembly Instructions .....	8
Operating Instructions .....	11
Maintenance .....	11
Troubleshooting .....	11
Parts Diagram .....	12
Parts List .....	12
Replacement Parts .....	12
Limited Warranty .....	13

## Intended Use

Overhead Storage Rack is a storage unit with a steel frame attached to the ceiling and steel mesh, offering industrial-strength storage. The mesh decks allow air circulation around stored items. The rack can be installed individually or in series. The rack has a 750-lb. total capacity

## Packaging Contents

### ⚠WARNING

- Ensure all components are present. If any components are missing, do not proceed with assembly.

A. Uprights **x12**



B. Twins Uprights **x2**



C. Ceiling Mounted Bracket **x6**



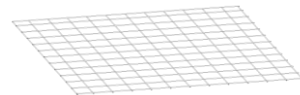
D. Beam **x8**



E. Cross Brace **x6**

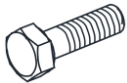


F. Wire Mesh Deck **x4**



### HARDWARE

1. Screws M8x20 **x24 (+1)**



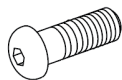
2. Nut M8 **x24 (+1)**



3. Washer M8 **x48 (+2)**



4. Hex Screw M6x12 **x28 (+2)**



5. Lock Nut M6 **x12 (+1)**



6. Wood Screw M8x80 **x12**



7. Hexagon Wrench



8. Wrench



## Technical Specifications

Property	Specification
Rack Dimensions	47.8 x 95.9 x 36in.
Maximum Load Capacity	750 lb. evenly distributed
Beam Dimensions	4.3" x 46.7"
Cross Brace Dimensions	2.3" x 47.4"
Wire Mesh Deck Dimensions	23.5" x 47.1"

## Important Safety Information

### **⚠WARNING**

- Read and understand all instructions. Failure to follow all instructions may result in serious injury or property damage.
- The warnings, cautions, and instructions in this manual cannot cover all possible conditions or situations that could occur. Exercise common sense and caution when using this product. Always be aware of the environment and ensure that the product is used in a safe and responsible manner.
- Do not allow persons to operate or assemble the product until they have read this manual and have developed a thorough understanding of how it works.
- Do not modify this product in any way. Unauthorized modification may impair the function and/or safety and could affect the life of the product. There are specific applications for which the product was designed.
- Use the right tool for the job. DO NOT attempt to force small equipment to do the work of larger industrial equipment. There are certain applications for which this equipment was designed. It will be a safer experience and do the job better at the capacity for which it was intended. DO NOT use this equipment for a purpose for which it was not intended.
- Industrial or commercial applications must follow OSHA requirements.

### **⚠WARNING**

#### **PERSONAL SAFETY**

- Stay alert, watch what you are doing, and use common sense when operating the tool. Do not use the tool while you are tired or under the influence of drugs, alcohol, or medication. A moment of inattention while operating the tool may result in serious personal injury.
- Dress properly. Do not wear loose clothing, dangling objects, or jewelry. Keep your hair, clothing and gloves away from moving parts. Loose clothes, jewelry, or long hair can be caught in moving parts. Air vents on the tool often cover moving parts and should be avoided.
- Wear the proper personal protective equipment when necessary. Use ANSI Z87.1 compliant safety goggles (not safety glasses) with side shields, or when needed, a face shield. Use a dust mask in dusty work conditions. Also use non-skid safety shoes, hardhat, gloves, dust collection systems, and hearing protection when appropriate. This applies to all persons in the work area.
- Do not overreach. Keep proper footing and balance at all times.

## **⚠️WARNING**

### **WORK AREA SAFETY**

- Inspect the work area before each use. Keep work area clean, dry, free of clutter, and well-lit. Cluttered, wet, or dark work areas can result in injury. Using the product in confined work areas may put you dangerously close to cutting tools and rotating parts.
- Keep children and bystanders away from the work area while operating the tool. Do not allow children to handle the product.

## **⚠️CAUTION**

### **SHELVING RACK USE AND CARE**

- Do not force the rack. Products are safer and do a better job when used in the manner for which they are designed. Plan your work, and use the correct product for the job.
- Check for damaged parts before each use. Carefully check that the product will operate properly and perform its intended function. Replace damaged or worn parts immediately. Never operate the product with a damaged part.
- Store the product when it is not in use. Store it in a dry, secure place out of the reach of children. Inspect the tool for good working condition prior to storage and before re-use.
- Use only accessories that are recommended by the manufacturer for use with your product. Accessories that may be suitable for one product may create a risk of injury when used with another tool. Never use an accessory that has a lower operating speed or operating pressure than the tool itself.

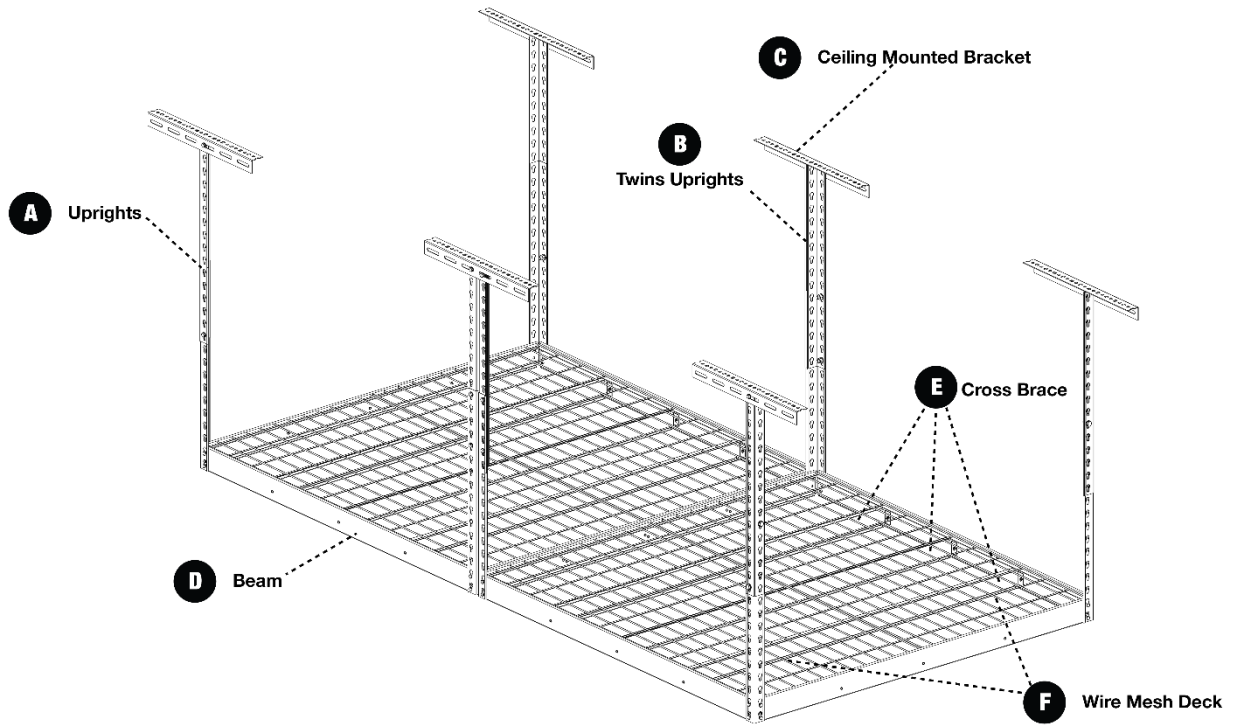
## **Specific Operation Warnings**

## **⚠️WARNING**

- Do not exceed the rated load capacity per shelf.
- Do not climb.
- This product contains small items that could be a choking hazard if swallowed. Keep these items away from young children.
- Make sure these instructions are read and completely understood before attempting installation. If you are unsure of any part of this installation, please contact a professional installer for assistance.
- The ceiling must be capable of supporting the combined weight of the garage rack and your stuff. Otherwise, the structure and weight capacity of the ceiling must be reinforced.
- Proper tools must be used. A minimum of two people are required for this installation. Failure to install properly can result in property damage or serious injury.
- Check joint parts every two months, making sure the screws have not loosened.
- This product is designed to be installed on a wooden ceiling or solid concrete ceiling. Before installation, make sure that the weight capacity of the wall will support the combined load of the rack and your stuff. Never exceed the maximum load capacity of the product 750 lbs (340 kg), or else it may result in product damage or physical injury.

Note: This product is intended for indoor use only. Use of this product outdoors could lead to product damage or physical injury.

## Main Parts of Wall Mounted Shelves



Part	Subassembly	Quantity
A	Uprights	12
B	Twins Uprights	2
C	Ceiling Mounted Bracket	6
D	Beam	8
E	Cross Brace	6
F	Wire Mesh Deck	4

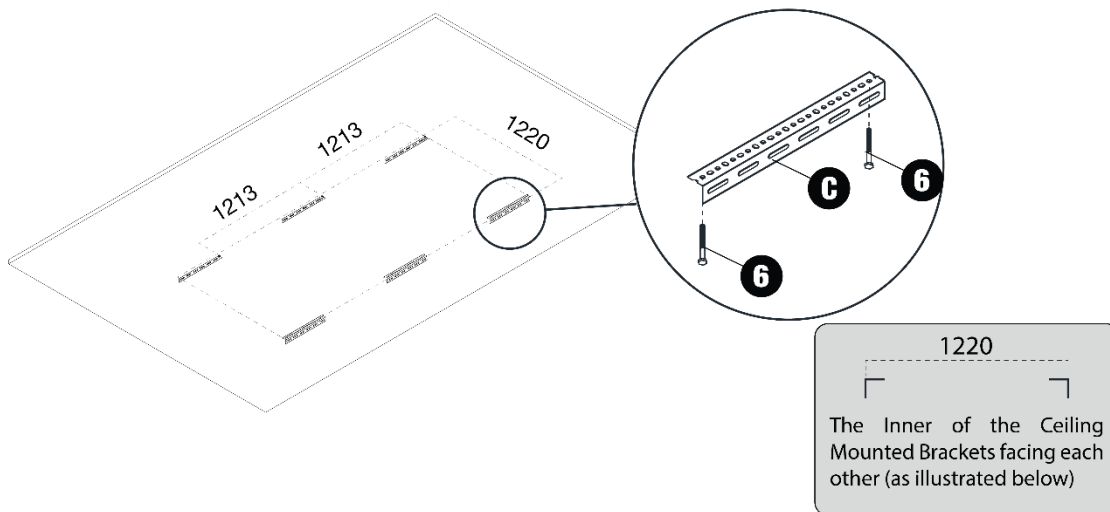
## Assembly Instructions

### ⚠WARNING

- CAUTION: Make sure that the shelf brackets are completely fixed on the ceiling without gaps to prevent property damage or personal injury.

#### STEP 1: Install the Ceiling Mounted Bracket

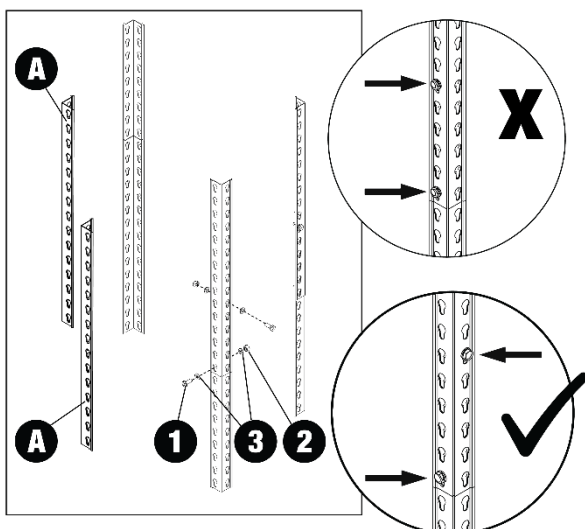
- Determine if the orientation of your ceiling rack will be installed parallel or perpendicular to the direction of your ceiling.
- Use a stud finder to locate the joists.
- Check the spacing of your ceiling joists to ensure that they will work for the size and direction of your ceiling rack install.
- Install the Ceiling Mounted Bracket (C) onto the Pre-marked position. Make sure the screws are fit securely.



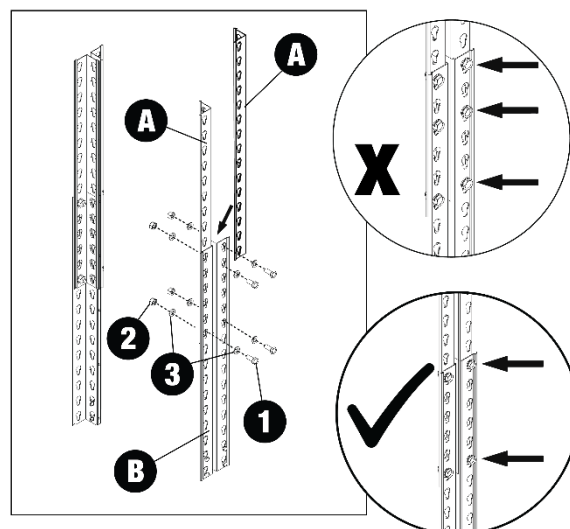
#### STEP 2: Pre-assemble the Twins Uprights and Uprights

- Determine desired height of ceiling rack from the ceiling to bottom of the overhead rack.
- Join the upper and lower post and line up the holes to the determined height.

Single Uprights Assembly



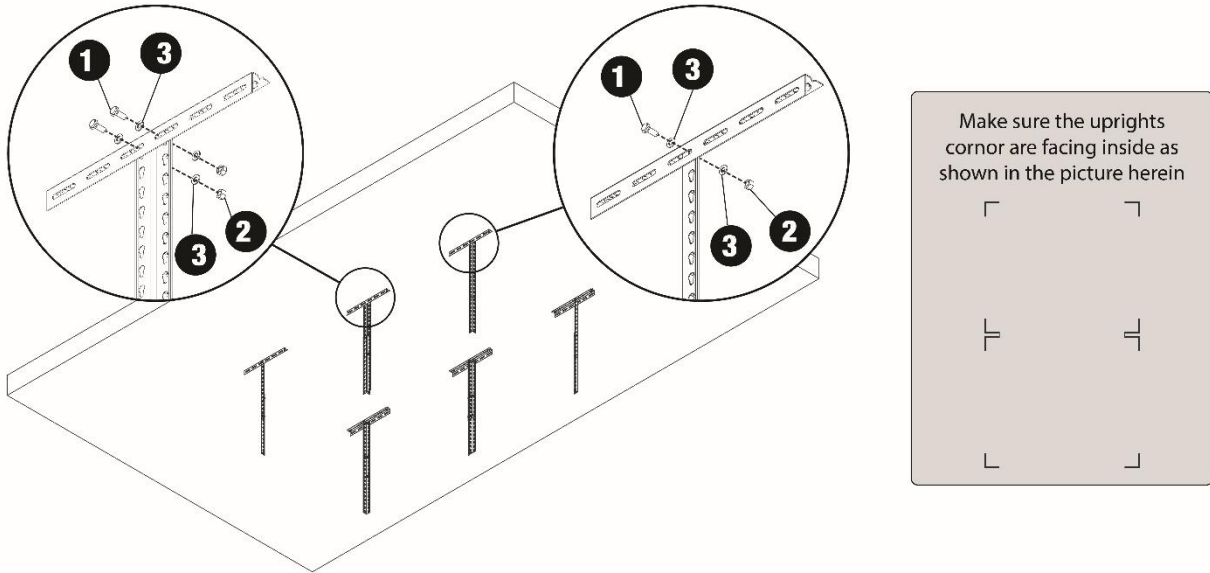
Twins Uprights Assembly



**Note:** Only attach 2 screws

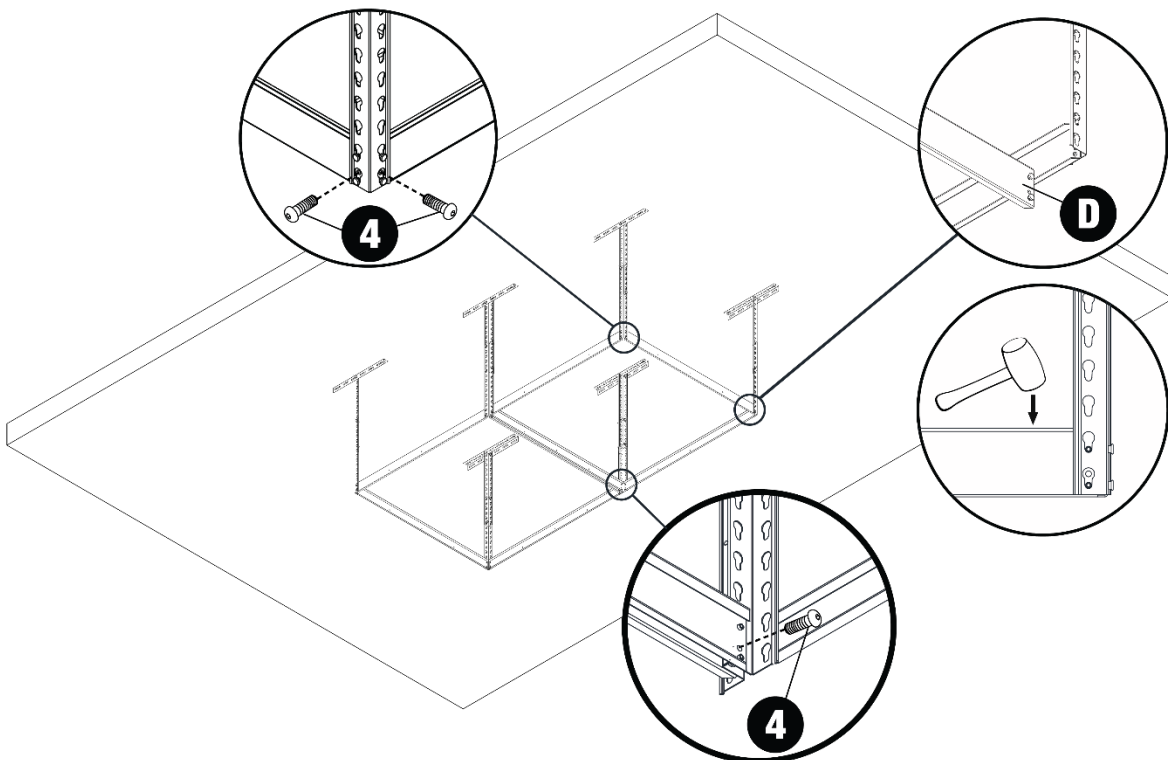
**STEP 3: Install The Single Uprights and The Twins Uprights.**

- For Perpendicular Assembly: Bolt together one post assembly through the hole located on the side of the post to the center hole of the inside angle of bracket.
- The backside of the post must be facing in and the tapered ends of the post slots must be facing down (as illustrated below).
- Repeat steps for other uprights assemblies to the brackets on the other joist (as illustrated below).



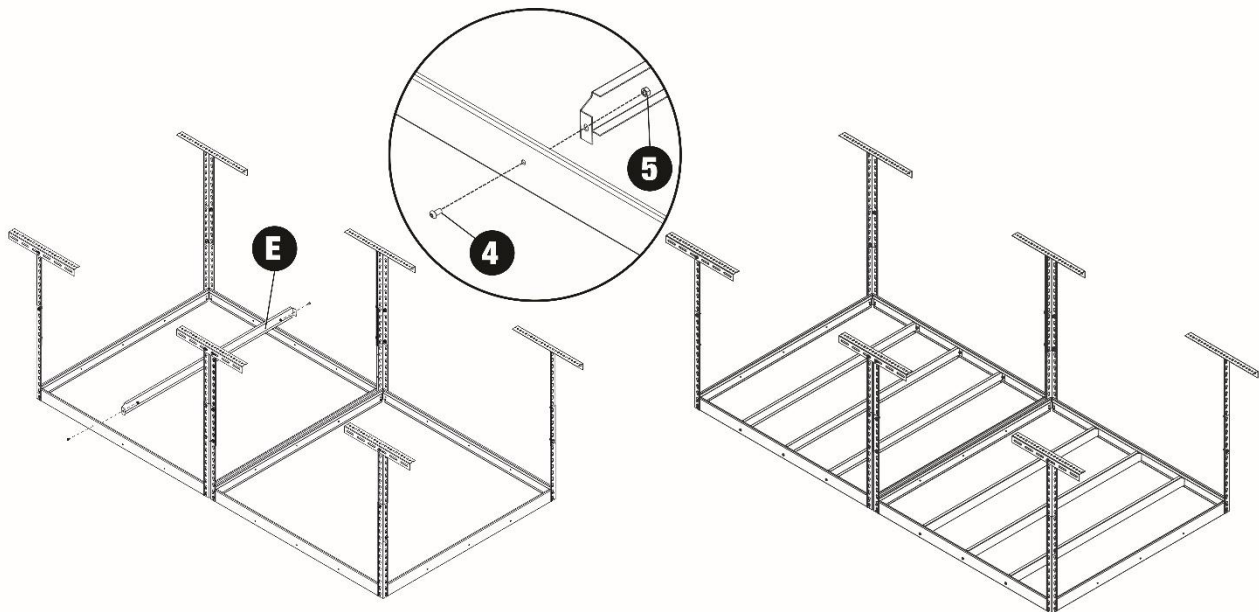
**STEP 4: Install the Beam**

- Line up the top and bottom rivet on the ends of the Beam with the two holes located on the outer bottom sides of two post assemblies.
- Use a rubber mallet to lightly tap down on each end of the beam to properly seat the beam clips into the tapered ends of the slot.
- Bolt each end of the Beams to the posts assemblies.



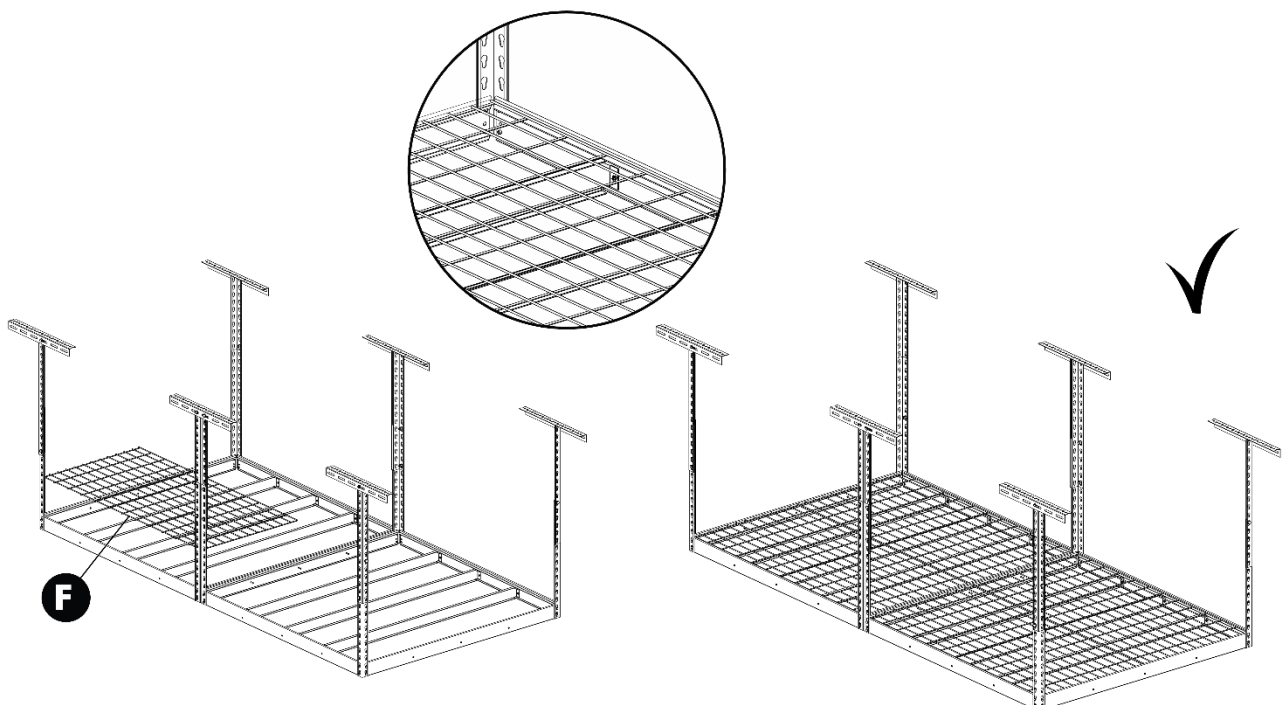
**STEP 5: Install the Cross Brace.**

- Assemble the Cross Brace by aligning the holes located on both ends of the cross support into the holes located on the top ledge of both beam assemblies (as illustrated below).
- Repeat the assembly for the remained five Cross Braces.



**STEP 6: Insert the Wire Mesh Deck**

- Place wire grids with notched corners.
- Make sure the wire grid well fit into the Beams.



## Operating Instructions

### ⚠WARNING

- Do not exceed the rated load capacity per shelf.
- Do not climb.
- This product contains small items that could be a choking hazard if swallowed. Keep these items away from young children.
- Make sure these instructions are read and completely understood before attempting installation. If you are unsure of any part of this installation, please contact a professional installer for assistance.
- The ceiling must be capable of supporting the combined weight of the garage rack and your stuff. Otherwise, the structure and weight capacity of the ceiling must be reinforced.
- Proper tools must be used. A minimum of two people are required for this installation. Failure to install properly can result in property damage or serious injury.
- Check joint parts every two months, making sure the screws have not loosened.
- This product is designed to be installed on a wooden ceiling or solid concrete ceiling. Before installation, make sure that the weight capacity of the wall will support the combined load of the rack and your stuff. Never exceed the maximum load capacity of the product 750 lbs (340 kg), or else it may result in product damage or physical injury.

Note: This product is intended for indoor use only. Use of this product outdoors could lead to product damage or physical injury.

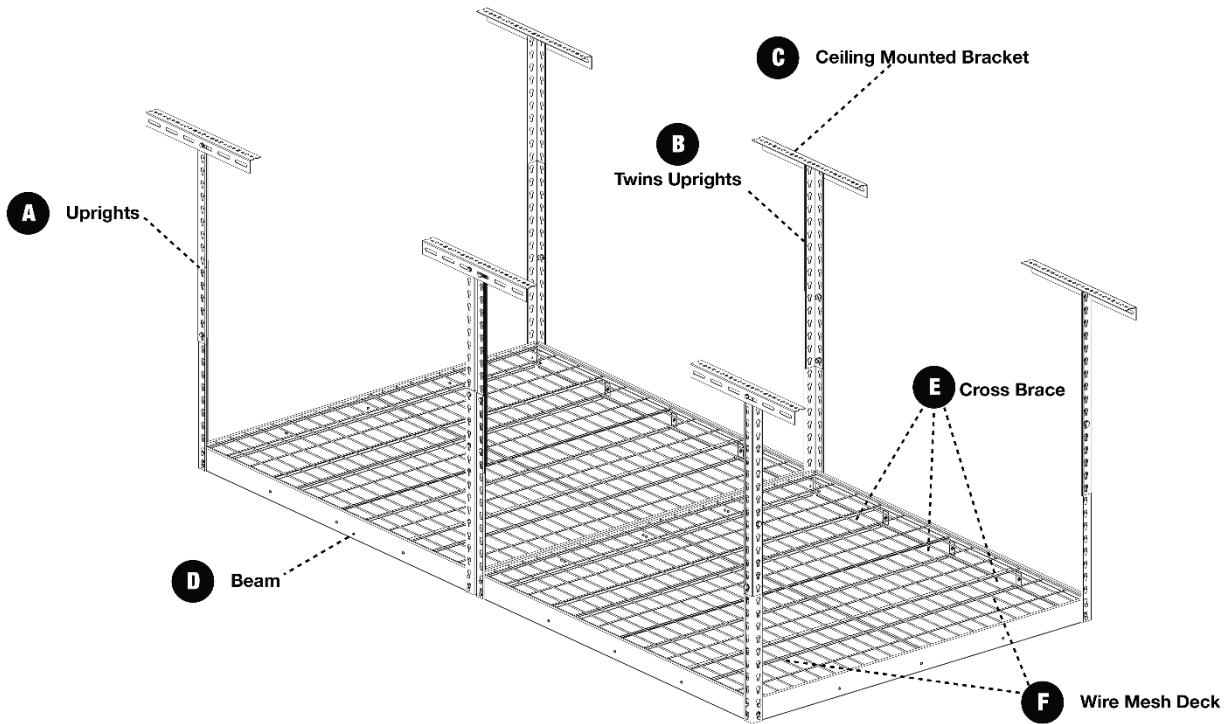
## Maintenance

- To avoid rusting, keep the unit out of damp or wet environments.
- If shelves become damp, wipe with a cloth to avoid rusting. Be sure to dry the shelf joints.

## Troubleshooting

Failure	Possible Cause	Corrective Action
Shelf is bent.	Shelf is overloaded.	Unload shelf and reload, staying under 750 lb. per shelf.
Shelf has a rusty surface.	Shelf has moisture creating rust.	Repaint the rusted surface.

## Parts Diagram



## Parts List

Part	Subassembly	Quantity
A	Uprights	12
B	Twins Uprights	2
C	Ceiling Mounted Bracket	6
D	Beam	8
E	Cross Brace	6
F	Wire Mesh Deck	4

## Replacement Parts

- For replacement parts and technical questions, please call Customer Service at 1-800-222-5381.
- Not all product components are available for replacement. The illustrations provided are a convenient reference to the location and position of parts in the assembly sequence.
- When ordering parts, the following information will be required: item description, item model number, item serial number/item lot date code, and the replacement part reference number.
- The distributor reserves the rights to make design changes and improvements to product lines and manuals without notice.

## Limited Warranty

Northern Tool & Equipment Company, Inc. ("We" or "Us") warrants to the original purchaser only ("You" or "Your") that the KLUTCH product purchased will be free from material defects in both materials and workmanship, normal wear and tear excepted, for a period of **one year** from date of purchase. The foregoing warranty is valid only if the installation and use of the product is strictly in accordance with product instructions. There are no other warranties, express or implied, including the warranty of merchantability or fitness for a particular purpose. If the product does not comply with this limited warranty, Your sole and exclusive remedy is that We will, at our sole option and within a commercially reasonable time, either replace the product or product component without charge to You or refund the purchase price (less shipping). This limited warranty is not transferable.

### Limitations on the Warranty

This limited warranty does not cover: (a) normal wear and tear; (b) damage through abuse, neglect, misuse, or as a result of any accident or in any other manner; (c) damage from misapplication, overloading, or improper installation; (d) improper maintenance and repair; and (e) product alteration in any manner by anyone other than Us, with the sole exception of alterations made pursuant to product instructions and in a workmanlike manner.

### Obligations of Purchaser

You must retain Your product purchase receipt to verify date of purchase and that You are the original purchaser. To make a warranty claim, contact Us at 1-800-222-5381, identify the product by make and model number, and follow the claim instructions that will be provided. The product and the purchase receipt must be provided to Us in order to process Your warranty claim. Any returned product that is replaced or refunded by Us becomes our property. You will be responsible for return shipping costs or costs related to Your return visit to a retail store.

### Remedy Limits

Product replacement or a refund of the purchase price is Your sole remedy under this limited warranty or any other warranty related to the product. We shall not be liable for: service or labor charges or damage to Your property incurred in removing or replacing the product; any damages, including, without limitation, damages to tangible personal property or personal injury, related to Your improper use, installation, or maintenance of the product or product component; or any indirect, incidental or consequential damages of any kind for any reason.

### Assumption of Risk

You acknowledge and agree that any use of the product for any purpose other than the specified use(s) stated in the product instructions is at Your own risk.

### Governing Law

This limited warranty gives You specific legal rights, and You also may have other rights which vary from state to state. Some states do not allow limitations or exclusions on implied warranties or incidental or consequential damages, so the above limitations may not apply to You.

# **KLUTCH™**

Distributed by:

Northern Tool & Equipment Company, Inc.  
Burnsville, Minnesota 55306

[www.northerntool.com](http://www.northerntool.com)

Made in Vietnam