



## Garden Hose Reel

with 5/8In. x 80Ft. Hose

Owner's Manual



**⚠ WARNING:** Read carefully and understand all ASSEMBLY AND OPERATION INSTRUCTIONS before operating. Failure to follow the safety rules and other basic safety precautions may result in serious personal injury.

Item #61098

**READ & SAVE THESE INSTRUCTIONS**

Thank you very much for choosing a Strongway™ product!

For future reference, please complete the owner's record below:

Serial Number/Lot Date Code: \_\_\_\_\_

Purchase Date: \_\_\_\_\_

Save the receipt, warranty, and this manual. It is important that you read the entire manual to become familiar with this product before you begin using it.

This hose reel is designed for certain applications only. Northern Tool and Equipment is not responsible for issues arising from modification or improper use of this product such as an application for which it was not designed. We strongly recommend that this product not be modified and/or used for any application other than that for which it was designed.

For technical questions, please call **1-800-222-5381**.

**Table of Contents**

**Intended Use.....4**

**Packaging Contents.....4**

**Technical Specifications .....4**

**Important Safety Information .....4**

**Specific Operation Warnings .....6**

**Main Parts of Hose Reel .....6**

**Assembly Instructions.....7**

**Before Each Use.....8**

**Operating Instructions.....8**

**After Each Use.....8**

**Maintenance .....8**

**Troubleshooting.....9**

**Parts Diagram.....10**

**Parts List.....11**

**Replacement Parts .....11**

**Limited Warranty.....12**

## Intended Use

The Strongway Garden Hose Reel with 5/8In. x 80Ft. Hose is an industrial-grade reel suitable for lawn and gardens and construction site environments. The speed control consists of an automatic wind mechanism.

## Packaging Contents

- Reel
- Hose
- Owner's Manual

Note: Hardware will need to be purchased separately for mounting the reel.

## Technical Specifications

Max. Pressure	Application	Hose Material	Working Temperature	Hose I.D.	Hose Length
90 PSI	Water	PVC	0-140° F	5/8 inches	80 feet

## Important Safety Information

### **⚠WARNING**

- Read and understand all instructions. Failure to follow all instructions may result in serious injury or property damage.
- The warnings, cautions, and instructions in this manual cannot cover all possible conditions or situations that could occur. Exercise common sense and caution when using this tool. Always be aware of the environment and ensure that the tool is used in a safe and responsible manner.
- Do not allow persons to operate or assemble the product until they have read this manual and have developed a thorough understanding of how it works.
- Do not modify this hose reel in any way. Unauthorized modification may impair the function and/or safety and could affect the life of the product. There are specific applications for which the product was designed.
- Use the right tool for the job. DO NOT attempt to force small equipment to do the work of larger industrial equipment. There are certain applications for which this equipment was designed. This product will be safer and do a better job at the capacity for which it was intended. DO NOT use this equipment for a purpose for which it was not intended.
- Industrial or commercial applications must follow OSHA requirements.

## **⚠️WARNING**

### **WORK AREA SAFETY**

- Inspect the work area before each use. Keep work area clean, dry, free of clutter, and well-lit. Cluttered, wet, or dark work areas can result in injury. Using the product in confined work areas may put you dangerously close to cutting tools and rotating parts.
- Do not use the hose reel where there is a risk of causing a fire or an explosion; e.g., in the presence of flammable liquids, gases, or dust. The product can create sparks, which may ignite the flammable liquids, gases, or dust.
- Do not allow the hose reel to come into contact with an electrical source. The tool is not insulated and contact will cause electrical shock.
- Keep children and bystanders away from the work area while operating the hose reel. Do not allow children to handle the hose reel.
- Be aware of all power lines, electrical circuits, water pipes, and other mechanical hazards in your work area. Some of these hazards may be hidden from your view and may cause personal injury and/or property damage if contacted.

## **⚠️WARNING**

### **PERSONAL SAFETY**

- Stay alert, watch what you are doing, and use common sense when operating the hose reel. Do not use the tool while you are tired or under the influence of drugs, alcohol, or medication. A moment of inattention while operating the tool may result in serious personal injury.
- Dress properly. Do not wear loose clothing, dangling objects, or jewelry. Keep your hair, clothing and gloves away from moving parts. Loose clothes, jewelry, or long hair can be caught in moving parts. Air vents on the tool often cover moving parts and should be avoided.
- Wear the proper personal protective equipment when necessary. Use ANSI Z87.1 compliant safety goggles (not safety glasses) with side shields, or when needed, a face shield. Use a dust mask in dusty work conditions. Also use non-skid safety shoes, hardhat, gloves, dust collection systems, and hearing protection when appropriate. This applies to all persons in the work area.
- Do not overreach. Keep proper footing and balance at all times.

## **⚠️CAUTION**

### **HOSE REEL USE AND CARE**

- Do not force the hose reel. Products are safer and do a better job when used in the manner for which they are designed. Plan your work, and use the correct product for the job.
- Check for damaged parts before each use. Carefully check that the product will operate properly and perform its intended function. Replace damaged or worn parts immediately. Never operate the product with a damaged part.
- Store the hose reel when it is not in use. Store it in a dry, secure place out of the reach of children. Inspect the tool for good working condition prior to storage and before re-use.

- Use only accessories that are recommended by the manufacturer for use with your product. Accessories that may be suitable for one product may create a risk of injury when used with another tool. Never use an accessory that has a lower operating speed or operating pressure than the tool itself.

## Specific Operation Warnings

### ⚠WARNING

- Do not exceed the rated pressure of 90 PSI.
- Do not point nozzle at people or animals.
- Always hold on to the hose while rewinding to prevent the hose whipping.
- Not for use by or around children.

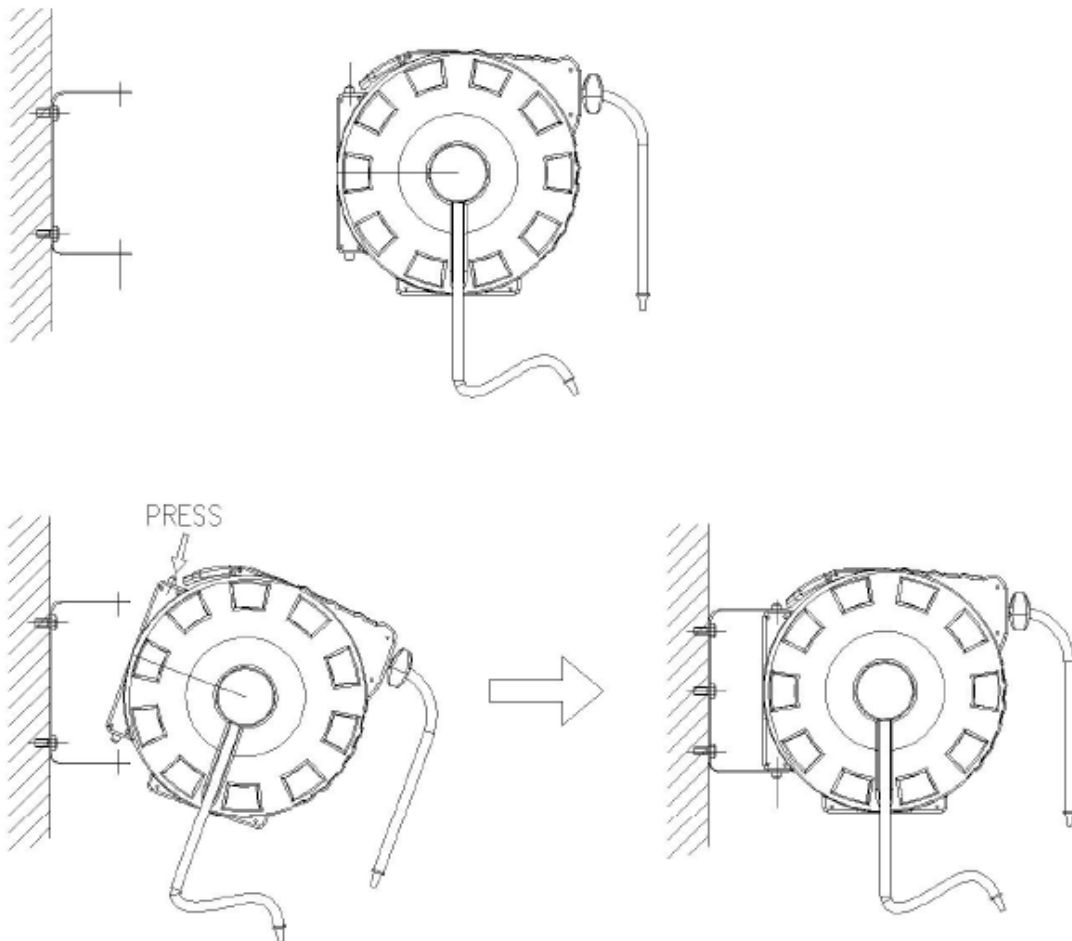
## Main Parts of Hose Reel

Part#	Description	Qty.	Part#	Description	Qty.
1	Cover	1	24	Roller frame	1
2	Lead-in hose assembly	1	25	Spring	1
6	Screw	20	26	Support bushing	4
7	Swivel spool	1	27	Bracket	1
8	O-ring	2	28	Taxis	1
9	Screw	4	29	Drum	2
10	Bushing	1	30	Ratchet paw	4
11	Outer casing	1	31	Spring dog	1
12	Baffle	1	32	Washer	1
13	Big gear	1	33	Washer	6
14	Swivel body	1	34	Spring axle	8
15	Small gear	1	35	Spring cover	3
16	Drum	1	36	Spring core	2
17	Taxis axle	1	37	Main spring	1
18	Roller	1	38	Screw	1
19	Moving unit	1	39	Outer casing	1
20	Mandrel	1	43	Stopper assembly	
21	Handle	1	45	Fixed cover	
22	Roller	2	46	Hose assembly	
23	Roller axle	2			

## Assembly Instructions

Reminder: You will need to purchase appropriate hardware for mounting the reel.

- 1) For wall mounting, install the reel **at most**, 6 feet above the floor.
- 2) The reel base has three 10.5mm (13/32") drilled holes for mounting on a suitable, flat surface. The following illustration shows the correct location of the 3 mounting holes in the base.
- 3) Using the three holes in the base, mount the reel in the desired location. Be sure to use appropriate hardware and tighten securely.



- 4) The end of the incoming hose can be connected to the desired supply source.
- 5) Outlet fittings on the reel hose attach to the desired tool, or nozzle. Check the connection for leakage; also check the hose reel for correct operating procedures. See the Operating Instructions section.
- 6) If the hose stopper adjustment is required, pull the hose from the reel and allow it to latch at the desired length. Loosen the stopper bolts and slide the stopper to a position close to the hose guide. Tighten the stopper bolts and unlatch the reel.

## Before Each Use

### ⚠WARNING

- Check for damaged parts before each use. Replace damaged parts before continuing use.

## Operating Instructions

### ⚠WARNING

- Do not exceed the rated pressure of 90 PSI.
- Do not point nozzle at people or animals.

1. Check the reel for correct operation by slowly pulling out the hose. A clicking noise will be heard every half revolution of the drum.
2. **Latching the Mode Switch.** When the reel is in the free run state, pull out the hose and allow it to retract after hearing the first, second, or third click. Turn the switch 180 degrees while rotating the reel to latch the reel.
3. To unlatch the reel, turn the switch 180 degrees counter-clockwise, slowly pull out the hose until the clicking noise stops, and then let the hose retract until the hose stop rests against the hose guide.
4. Periodically check the hose condition for wear or damage, and check the swivel fitting for leakage. Replace any worn, damaged, or leaking parts.

## After Each Use

### ⚠WARNING

- Always hold on to the hose while rewinding to prevent the hose whipping.
- Clean and dry the hose and store it in a safe place.

## Maintenance

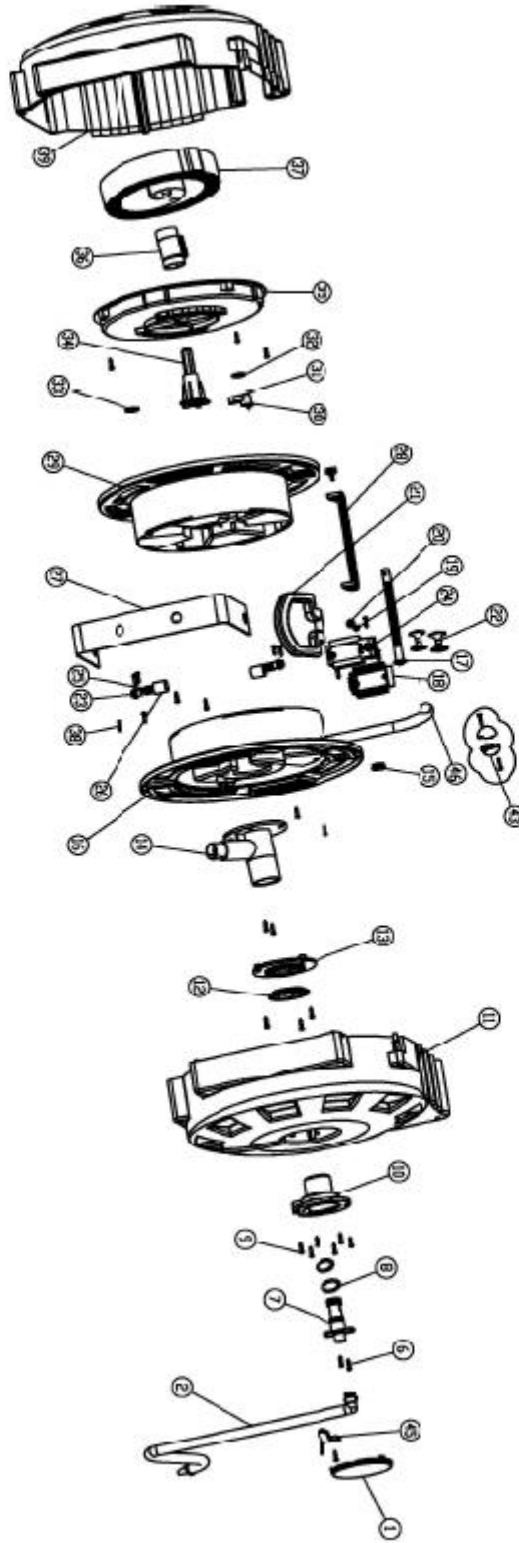
- Make sure the hose is in proper working order.
- Clean the hose with a cloth dipped in warm water to remove dirt or debris and ensure correct rewinding.
- Do not use detergents or solvents which could prove incompatible with cable-winder materials. Dismantling of the unit by unskilled personal could prove hazardous; the risk involved mainly concern the preloaded springs.

## Troubleshooting

Use the table below to troubleshoot problems before contacting service personnel or your local dealer. If the problem continues after troubleshooting, call your local dealer for assistance.

Possible Cause	Corrective Action
Reel will not latch.	Contact your local supplier or a qualified technician for service.
Reel is not retracting.	Contact your local supplier or a qualified technician for service.

# Parts Diagram



## Parts List

Part#	Description	Qty.	Part#	Description	Qty.
1	Cover	1	24	Roller frame	1
2	Lead-in hose assembly	1	25	Spring	1
6	Screw	20	26	Support bushing	4
7	Swivel spool	1	27	Bracket	1
8	O-ring	2	28	Taxis	1
9	Screw	4	29	Drum	2
10	Bushing	1	30	Ratchet Paw	4
11	Outer casing	1	31	Spring dog	1
12	Baffle	1	32	Washer	1
13	Big gear	1	33	Washer	6
14	Swivel body	1	34	Spring axle	8
15	Small gear	1	35	Spring cover	3
16	Drum	1	36	Spring core	2
17	Taxis axle	1	37	Main spring	1
18	Roller	1	38	Screw	1
19	Moving unit	1	39	Outer casing	1
20	Mandril	1	43	Stopper assembly	
21	Handle	1	45	Fixed cover	
22	Roller	2	46	Hose assembly	
23	Roller axle	2			

## Replacement Parts

- For replacement parts and technical questions, please call Customer Service at **1-800-222-5381**.
- Not all product components are available for replacement. The illustrations provided are a convenient reference to the location and position of parts in the assembly sequence.
- When ordering parts, the following information will be required: item description, item model number, item serial number/item lot date code, and the replacement part reference number.
- The distributor reserves the rights to make design changes and improvements to product lines and manuals without notice.

## Limited Warranty

Northern Tool and Equipment Company, Inc. ("We" or "Us") warrants to the original purchaser only ("You" or "Your") that the Strongway product purchased will be free from material defects in both materials and workmanship, normal wear and tear excepted, for a period of two years from date of purchase. The foregoing warranty is valid only if the installation and use of the product is strictly in accordance with product instructions. There are no other warranties, express or implied, including the warranty of merchantability or fitness for a particular purpose. If the product does not comply with this limited warranty, Your sole and exclusive remedy is that We will, at our sole option and within a commercially reasonable time, either replace the product or product component without charge to You or refund the purchase price (less shipping). This limited warranty is not transferable.

### Limitations on the Warranty

This limited warranty does not cover: (a) normal wear and tear; (b) damage through abuse, neglect, misuse, or as a result of any accident or in any other manner; (c) damage from misapplication, overloading, or improper installation; (d) improper maintenance and repair; and (e) product alteration in any manner by anyone other than Us, with the sole exception of alterations made pursuant to product instructions and in a workmanlike manner.

### Obligations of Purchaser

You must retain Your product purchase receipt to verify date of purchase and that You are the original purchaser. To make a warranty claim, contact Us at 1-800-222-5381, identify the product by make and model number, and follow the claim instructions that will be provided. The product and the purchase receipt must be provided to Us in order to process Your warranty claim. Any returned product that is replaced or refunded by Us becomes our property. You will be responsible for return shipping costs or costs related to Your return visit to a retail store.

### Remedy Limits

Product replacement or a refund of the purchase price is Your sole remedy under this limited warranty or any other warranty related to the product. We shall not be liable for: service or labor charges or damage to Your property incurred in removing or replacing the product; any damages, including, without limitation, damages to tangible personal property or personal injury, related to Your improper use, installation, or maintenance of the product or product component; or any indirect, incidental or consequential damages of any kind for any reason.

### Assumption of Risk

You acknowledge and agree that any use of the product for any purpose other than the specified use(s) stated in the product instructions is at Your own risk.

### Governing Law

This limited warranty gives You specific legal rights, and You also may have other rights which vary from state to state. Some states do not allow limitations or exclusions on implied warranties or incidental or consequential damages, so the above limitations may not apply to You. This limited warranty is governed by the laws of the State of Minnesota, without regard to rules pertaining to conflicts of law. The state courts located in Dakota County, Minnesota shall have exclusive jurisdiction for any disputes relating to this warranty.



Distributed by:  
Northern Tool & Equipment Company, Inc.  
Burnsville, Minnesota 55306  
[www.northerntool.com](http://www.northerntool.com)

Made in China