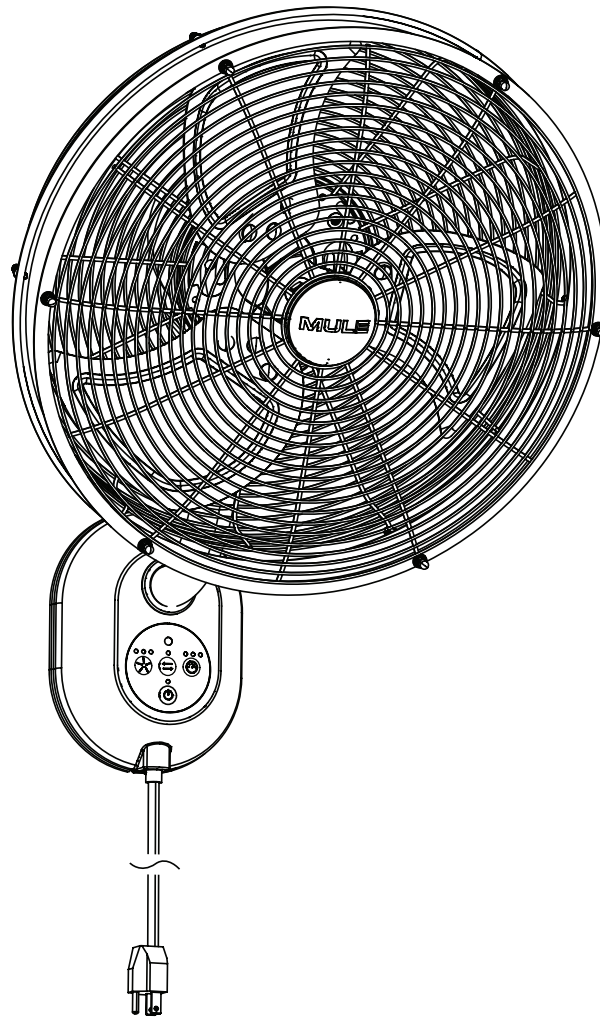




MULEPRODUCTS.COM

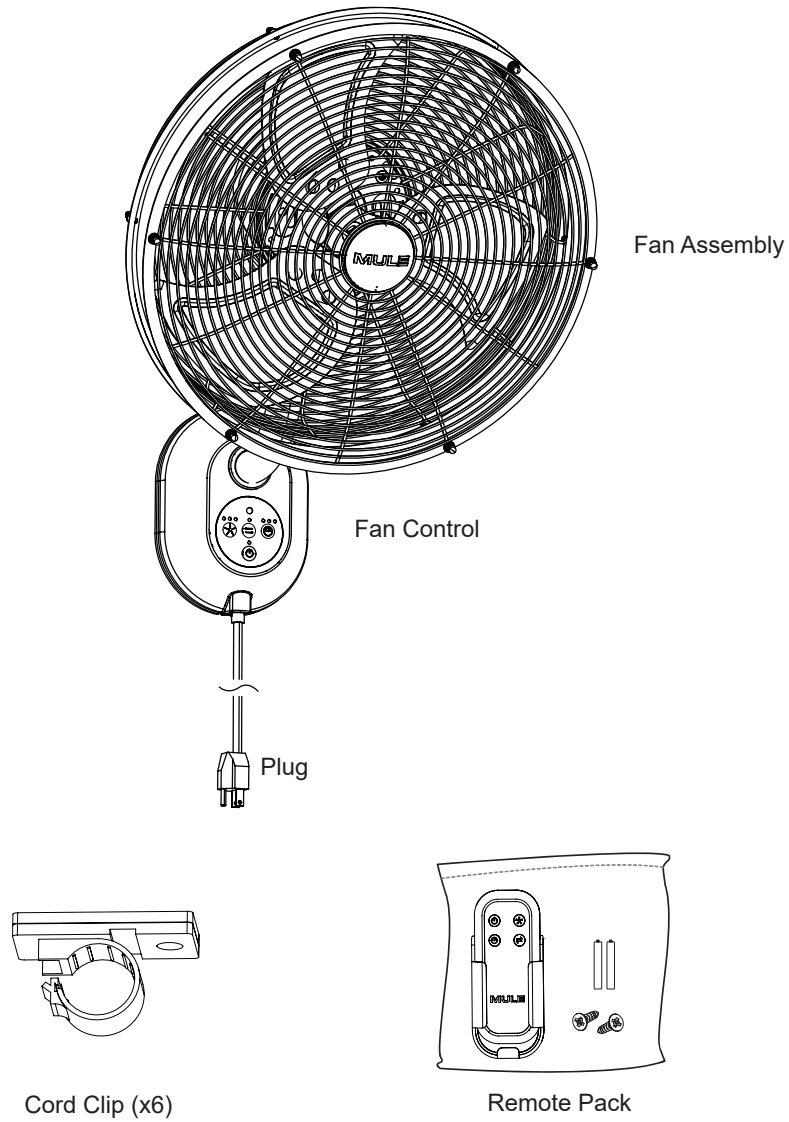
OSCILLATING WALL FAN

Model #52022

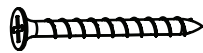


Thank you for purchasing this **MULE PRODUCT**. We know you will enjoy the easy-to-follow instructions. If you have any questions, problems, or missing parts, please visit MULEPRODUCTS.COM or call customer service at 1-877-289-8692, 8 a.m. - 5 p.m. Central Time, Monday - Friday.

PACKAGE CONTENTS



HARDWARE CONTENTS

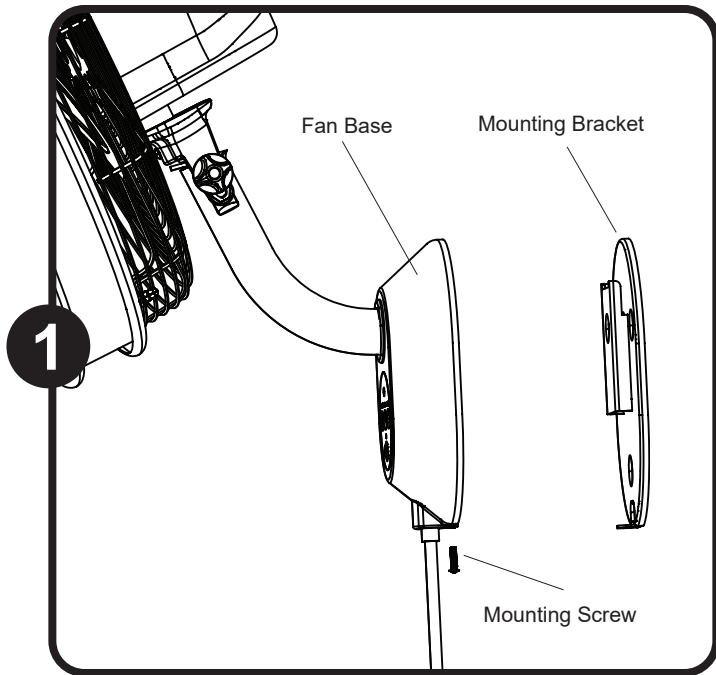


Bracket Screw
(x2)
+2 extra

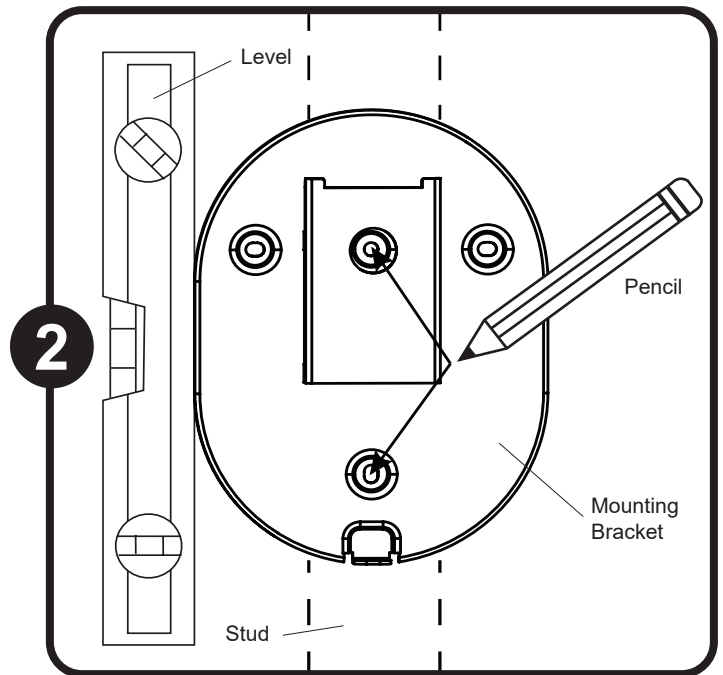
TOOLS REQUIRED

Tools required for assembly: Phillips screwdriver, level, drill, 1/8" drill bit, stud finder and pencil.

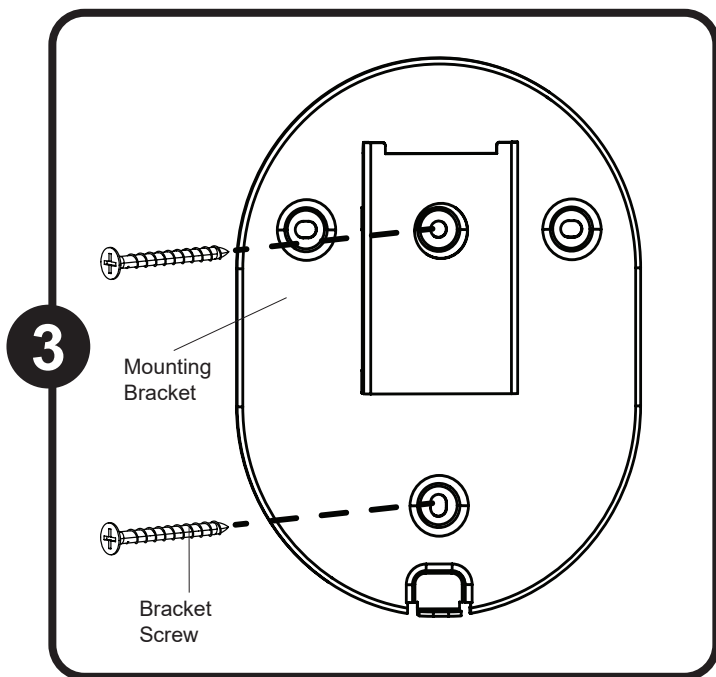
ASSEMBLY INSTRUCTIONS



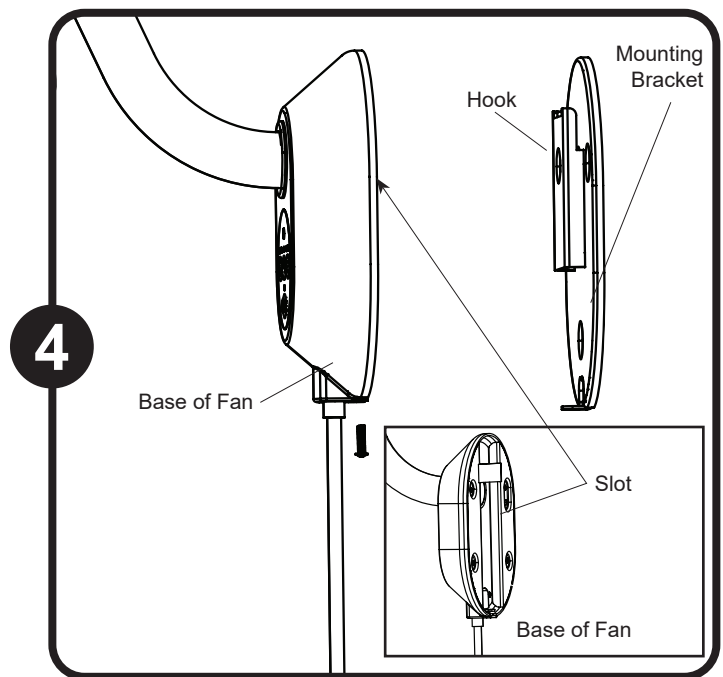
Remove the mounting screw from the underside of the fan base. Then remove the mounting bracket.



Use a stud finder (sold separately) to locate the stud to which the fan will be mounted. Determine the desired height of the mounting bracket. Hold the mounting bracket against the wall and use a level (sold separately) to ensure the mounting bracket is level with the horizon. Then, use a pencil and mark the center of the two holes in the center of the mounting bracket. **Note:** When determining the location of the fan, ensure proximity to 120 V grounded outlet. The wall fan's power cord is 9 feet in length.

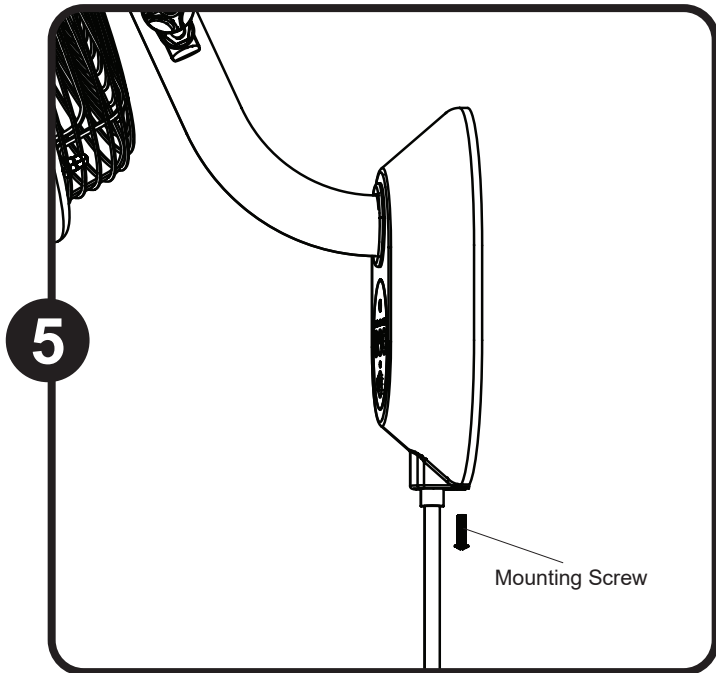


Use a Phillips screwdriver to install the two bracket screws through the mounting bracket, drywall (if applicable), and into the stud. **Note:** Drilling pilot holes can make screw installation easier. If desired, use a drill with an 1/8" diameter drill bit (or smaller) to drill the pilot holes.

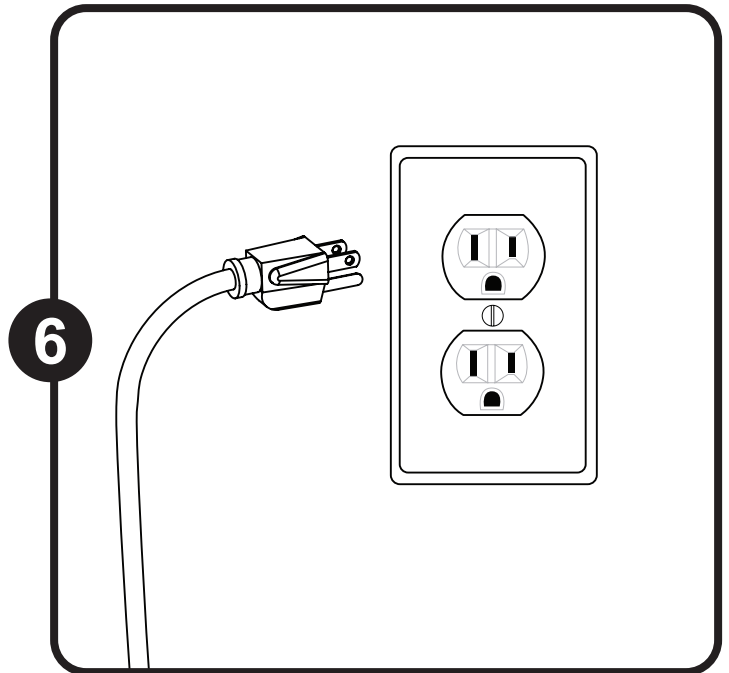


Hang the slot in the base of the fan on the hook preassembled to the mounting bracket.

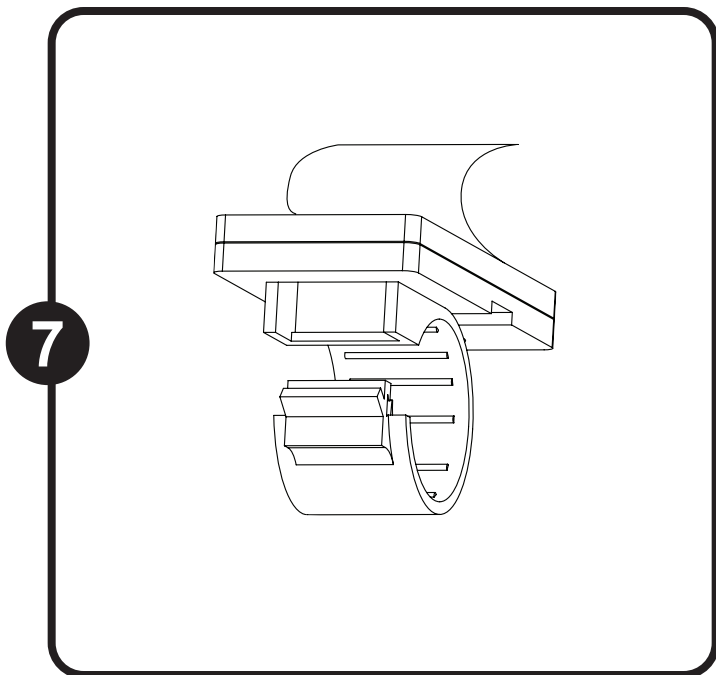
ASSEMBLY INSTRUCTIONS



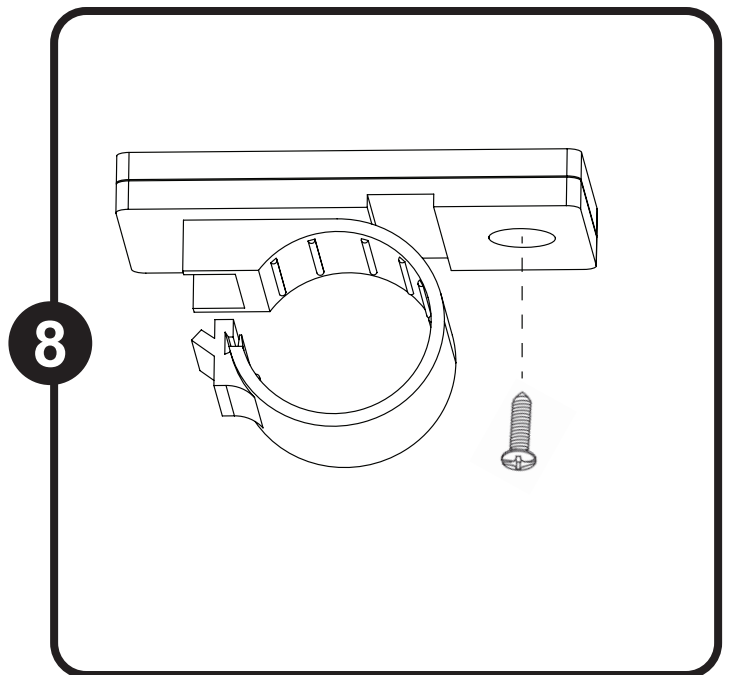
Replace the previously removed mounting screw into the fan base to secure the base to the mounting bracket.



Plug the fan's power cord into a 120 V grounded outlet.

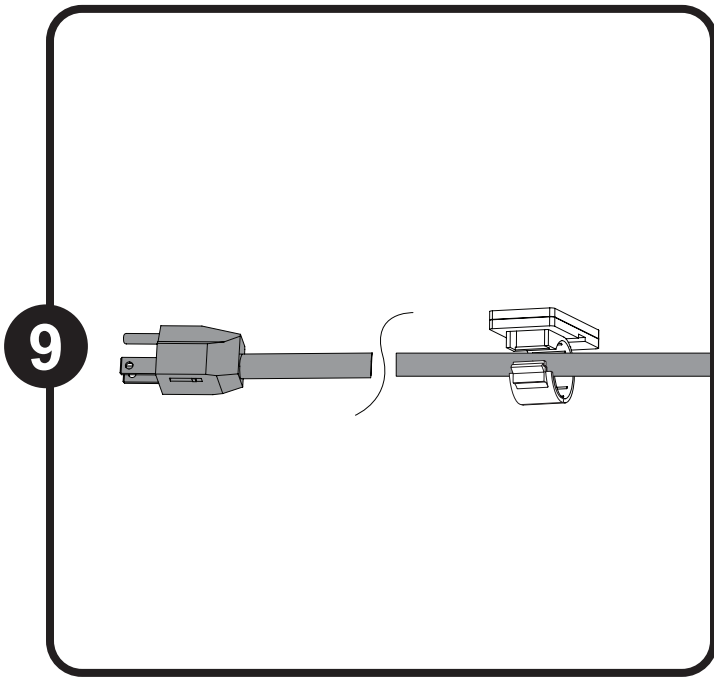


Use cord clips to secure the fan's power cord to wall in a path toward the power outlet. Peel the backing off of the double-sided tape preassembled to back side of each cord clip.

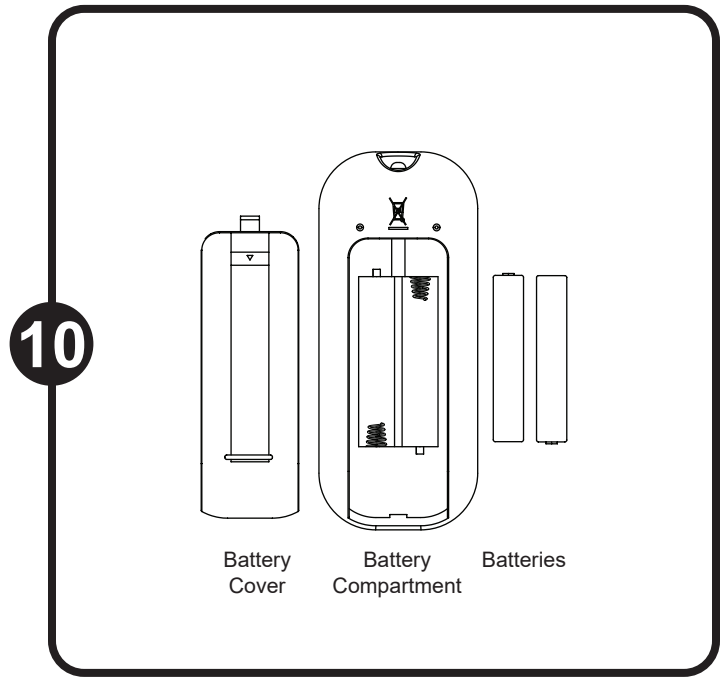


(Optional) Cord clips have a round hole to accommodate a wood screw (sold separately) as an option to the taping method.

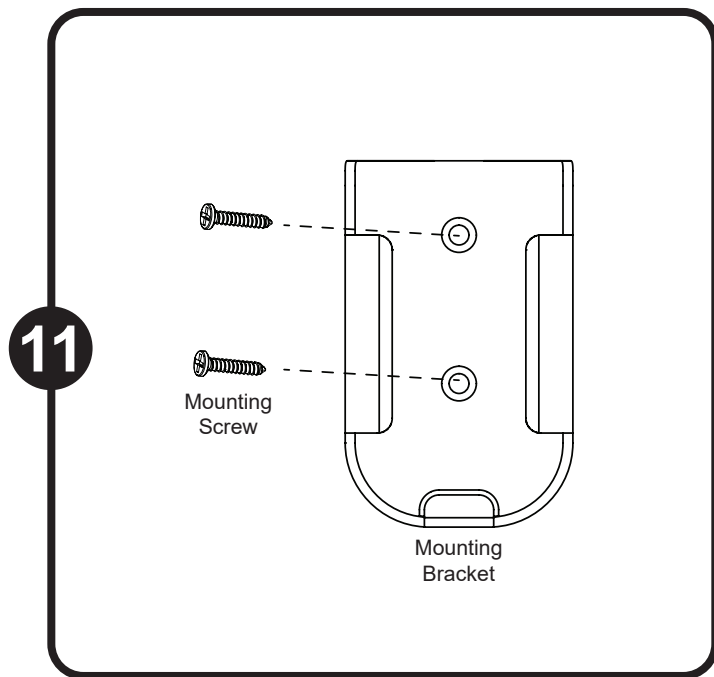
ASSEMBLY INSTRUCTIONS



Secure each cord clip to the ceiling. Then insert the cord into each clip and press the clip closed to secure the cord. Note: Leave adequate slack near the fan to allow fan to swivel and/or tilt.

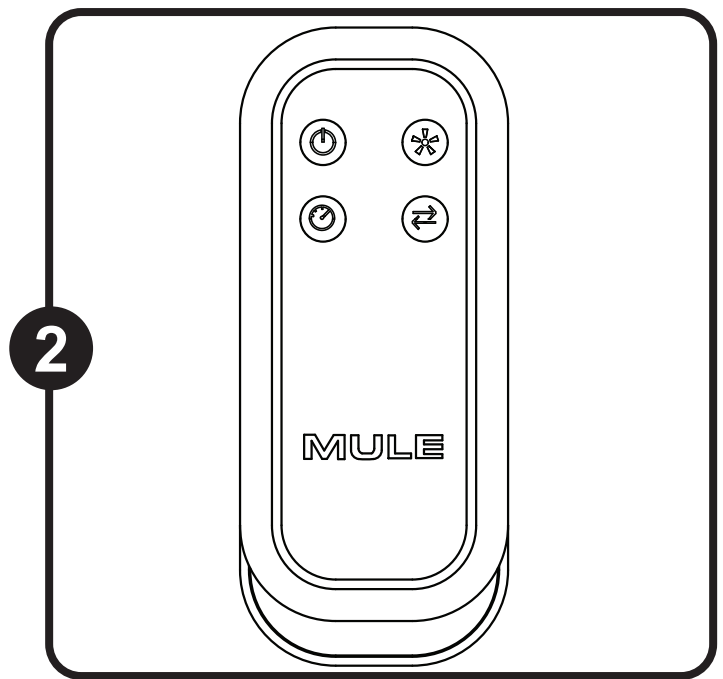
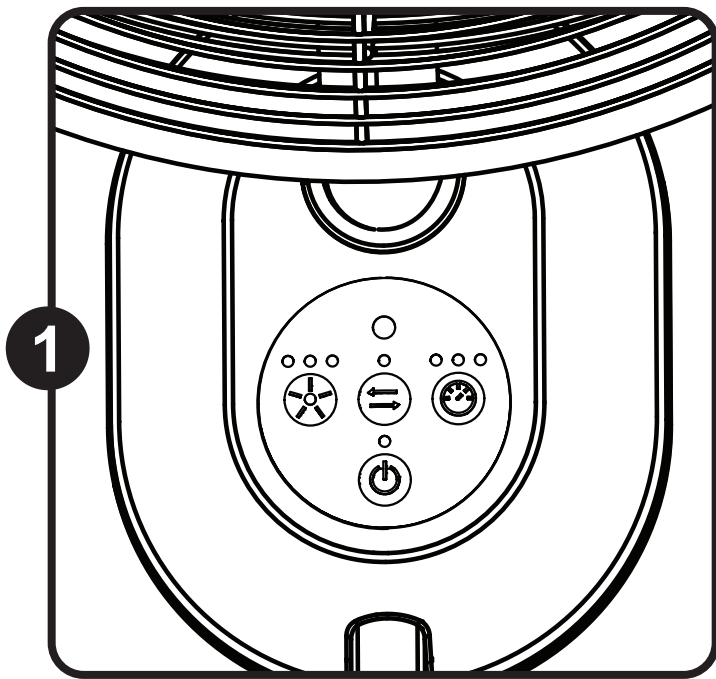


Use screwdriver, if necessary, to remove the battery cover from the back of the remote. Insert two batteries into the remote; ensure polarity of batteries match the polarity indicated in the battery compartment -- positive (+) to positive (+) and negative (-) to negative (-). Replace the battery cover.



If desired, the wall bracket in remote pack can be installed to a wall using the provided mounting screws. The remote can be stored in the wall bracket for easy access.

OPERATING INSTRUCTIONS



Press buttons on fan base and/or remote to control fan functions. Lights over each button indicate the function is activated.

Press the power button to turn fan off/on. Light over power icon represents fan off/on.

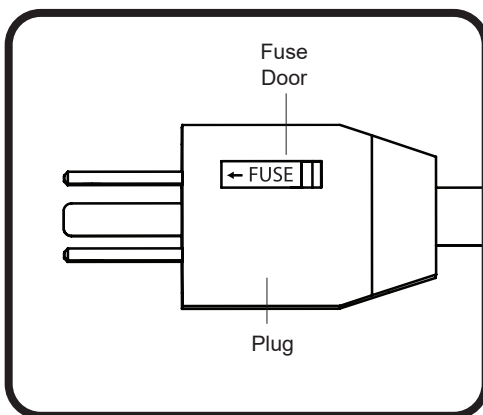
Press button to adjust fan speed. Lights over fan icon represent fan speed.
 ○○○ Fan Off, ●○○ Low Speed, ●●○ Medium Speed, ●●● High Speed

Press button to turn oscillation off/on. Light over oscillation icon represents oscillation off/on.

Press button to adjust timer length. Lights over timer icon represent timer duration.
 ○○○ Timer Off, ●○○ 1 Hour, ●●○ 2 Hours, ●●● 3 Hours

MAINTENANCE

Battery Replacement: Use 1.5 V (AAA) alkaline batteries. **WARNING:** Keep batteries out of reach of children. May be fatal if swallowed. In the event that a battery is swallowed, immediately consult a doctor. Non-rechargeable batteries are not to be recharged. Do not mix different types of batteries such as alkaline, carbon-zinc, or rechargeable batteries. Do not mix old and new batteries. Batteries are to be inserted with the correct polarity. Exhausted batteries are to be removed from the product. Do not dispose of batteries in fire, as they may explode or leak.



The plug is a safety feature, it contains a safety device (fuse), if your replaceable fuse (5 Amp, 125 Volt) blows, please follow below instructions to replace the fuse:

- Unplug your fan, grasp plug and remove from the receptacle or other outlet device. Do not unplug by pulling on cord.
- Slide open the fuse cover at the side of the plug by using your thumb or a flat screwdriver.
- Remove the fuse carefully.
- Put in a new 5 Amp 125 Volt fuse and make sure it is secured in place.
- Slide back the fuse cover completely.
- Risk of fire. Do not replace attached plug. Contains a safety device (fuse) that should not be removed. Discard product if the attached plug is damaged.

TROUBLESHOOTING

- Fan does not work - A) Ensure the main power cord is plugged into a 120V receptable.
B) Replace fuse in plug (see MAINTENANCE, page 6).

SAFETY INFORMATION

CAUTION:

- Read and follow all instructions before operating fan.
- Do not use fan if any part is damaged or missing.
- This garage fan is rated for indoor and damp locations.
- Connect to properly grounded outlets only.
- Do not insert fingers or any other objects through the grill guard when fan is in operation.
- Disconnect the fan when moving from one location to another.
- Disconnect the fan when removing guards for cleaning.
- Do not use fan near windows. Rain and water may create an electrical hazard.
- Do not alter the fan's assembly.
- This device complies with part 15 of FCC Rules. Operation is subject to the following two conditions: 1) This device may cause harmful interference, and 2) this device must accept any interference received, including interference that may cause undesired operation. This equipment has been tested and found to comply with the limits for a Class B digital device, pursuant to Part 15 of the FCC Rules. These limits are designed to provide reasonable protection against harmful interference in a residential installation. This equipment generates, uses and can radiate radio frequency energy and, if not installed and used in accordance with the instructions, may cause harmful interference to radio communications. However, there is no guarantee that interference will not occur in a particular installation. If this equipment does cause harmful interference to radio or television reception, which can be determined by turning the equipment off and on, the user is encouraged to try to correct the interference by one or more of the following measures:--Reorient or relocate the receiving antenna. --Increase the separation between the equipment and receiver. --Connect the equipment into an outlet on a circuit different from that to which the receiver is connected. --Consult the dealer or an experienced radio/TV technician for help. Please note changes or modifications not expressly approved by the party responsible for compliance could void the user's authority to operate the equipment.

WARNING:

- This appliance has a polarized plug (one blade is wider than the other). To reduce the risk of electric shock, this plug is intended to fit in a polarized outlet only one way. If the plug does not fit fully in the outlet, reverse the plug. If it still does not fit, contact a qualified electrician. Do not attempt to defeat this safety feature.
- To reduce the risk of fire or electrical shock, do not use this fan with any solid state speed control device.
- This product employs overload protection (fuse). A blown fuse indicates an overload or short-circuit situation. If the fuse blows, unplug the product from the outlet. Replace the fuse as per the user servicing instructions (follow product marking for proper fuse rating) and check the product. If the replacement fuse blows, a short-circuit may be present and the product should be discarded or returned to an authorized service facility for examination and/or repair.
- Do not operate any fan with a damaged cord or plug. Discard fan or return to an authorized service facility for examination and/or repair.
- Do not run cord under carpeting. Do not cover cord with throw rugs, runners, or similar coverings. Do not route cord under furniture or appliances. Arrange cord away from traffic area and where it will not be tripped over.
- To Reduce The Risk Of Fire, Electric Shock Or Injury To Persons, Do Not Use Replacement Parts That Have Not Been Recommended By The Manufacturer (e.g. Parts Made At Home Using A 3D Printer).

WARRANTY

The manufacturer warrants all of its utility fans against defects in materials and workmanship for three (3) years from the date of purchase. If within this period the product is found to be defective, take a copy of the bill of sale as a proof of purchase and the product in its original carton to the place of purchase. The manufacturer will, at its option, repair, replace or refund the purchase price to the consumer. All costs of installation and removal of the fixture is the responsibility of the consumer. This warranty does not cover utility fans becoming defective due to misuse, accidental damage or improper handling and/or installation and specifically excludes liability for direct, incidental or consequential damages. As some states do not allow exclusions of limitations on an implied warranty, the above exclusion and limitation may not apply. This warranty gives you specific rights and you may also have other rights which may vary from state to state.

CUSTOMER SERVICE

To obtain service, please contact Customer Service: 1-877-289-8692, 8 a.m. - 5 p.m. Central Time, Monday - Friday.