

QUICK START GUIDE



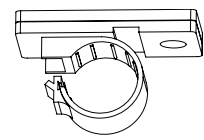
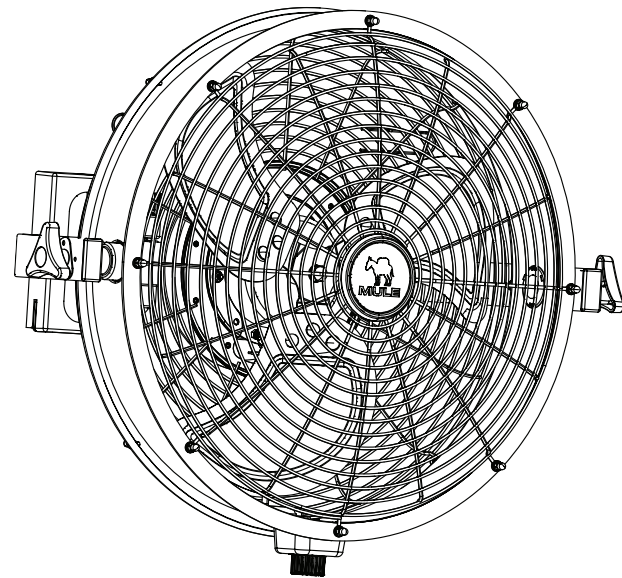
BEFORE YOU BEGIN ASSEMBLING THE GARAGE FAN

Read all instructions before you begin assembly. If any parts are missing, please contact Customer Service at 1-877-289-8692, 8 a.m. - 5 p.m. Central Time, Monday - Friday.

WALL FAN MODEL #52010, 52011

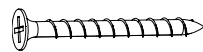


MULEPRODUCTS.COM



Cord Clip (x6)

HARDWARE KIT



Bracket Screw
(x2)
+2 extra



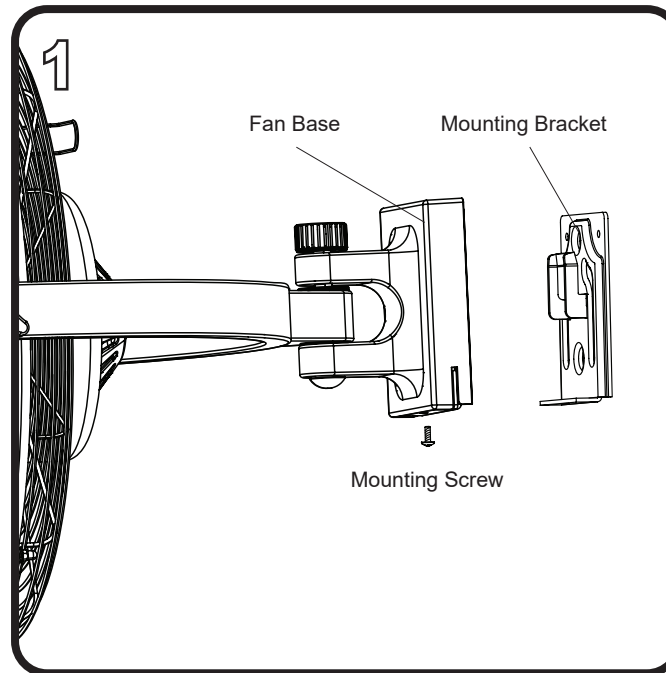
Washer
(x2)
+2 extra



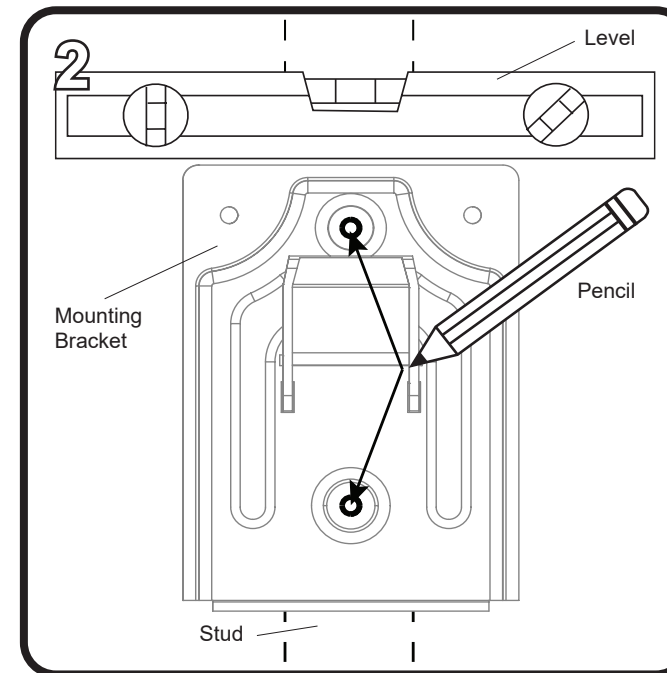
Lock Washer
(x2)
+2 extra

TOOLS REQUIRED

Tools required for assembly: Phillips screwdriver, level, drill, 1/8" drill bit, stud finder and pencil.

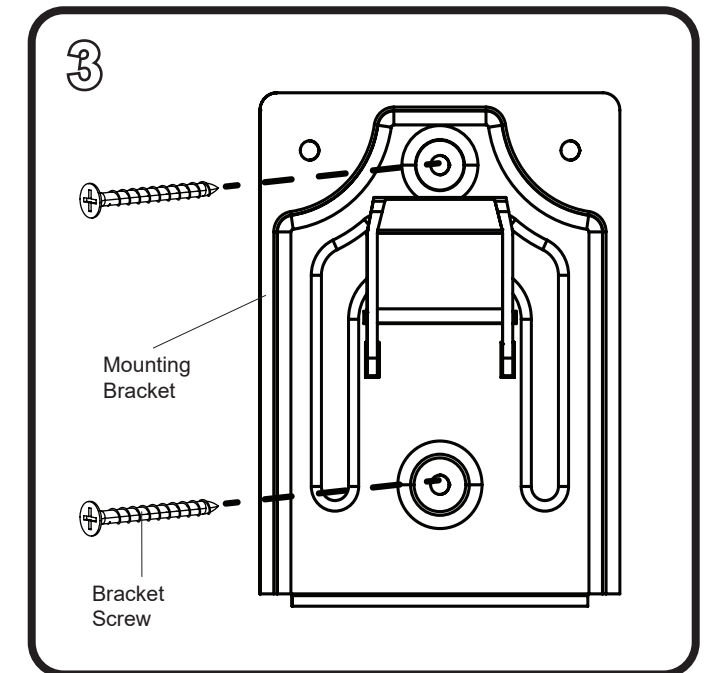


Remove the mounting screw from the underside of the fan base. Then remove the mounting bracket.

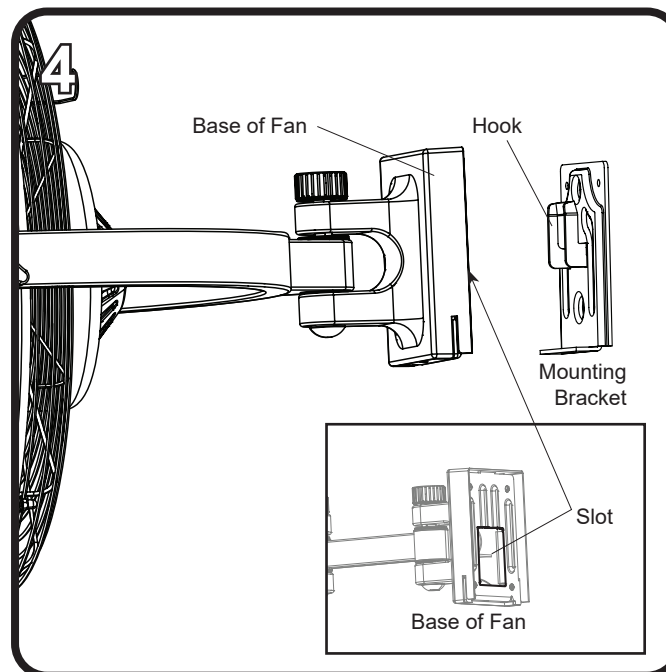


Use a stud finder (sold separately) to locate the stud to which the fan will be mounted. Determine the desired height of the mounting bracket. Hold the mounting bracket against the wall and use a level (sold separately) to ensure the mounting bracket is level with the horizon. Then, use a pencil and mark the center of the two holes in the center of the mounting bracket.

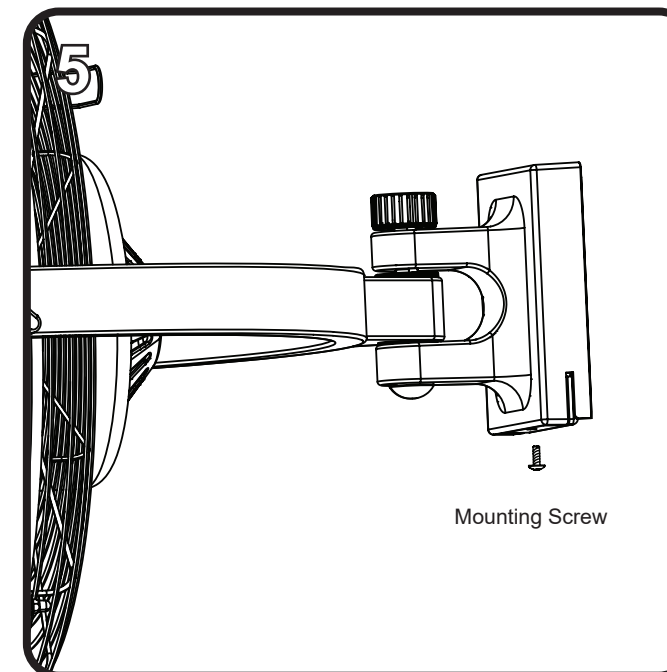
Note: When determining the location of the fan, ensure proximity to 120 V grounded outlet. The wall fan's power cord is 9 feet in length.



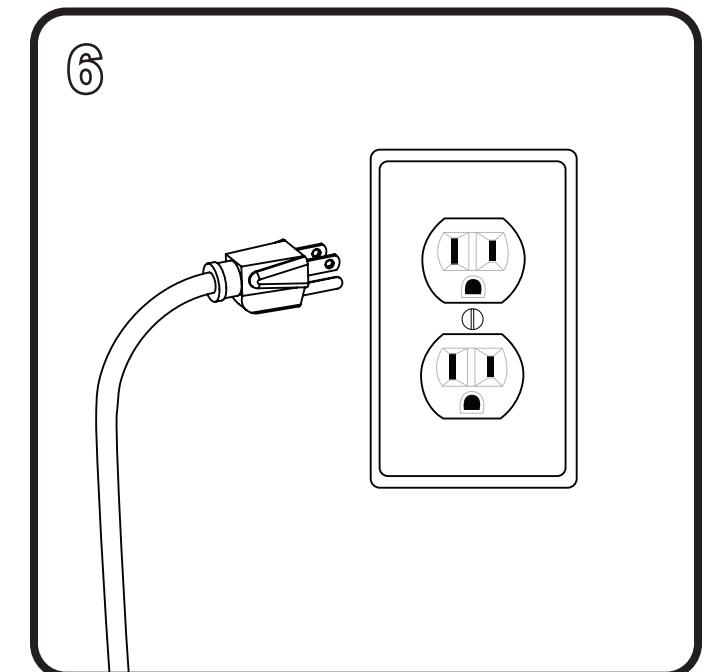
Use a Phillips screwdriver to install the two bracket screws through the mounting bracket, drywall (if applicable), and into the stud. **Note:** Drilling pilot holes can make screw installation easier. If desired, use a drill with an 1/8" diameter drill bit (or smaller) to drill the pilot holes.



Hang the slot in the base of the fan on the hook preassembled to the mounting bracket.

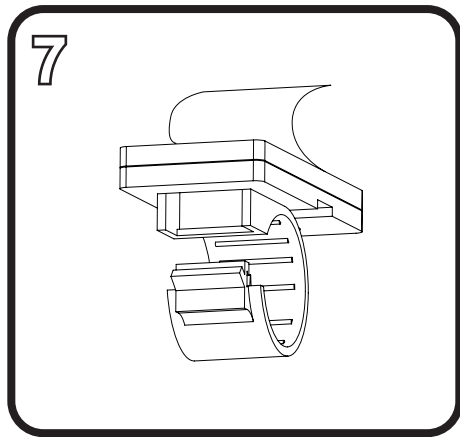


Replace the previously removed mounting screw into the fan base to secure the base to the mounting bracket.

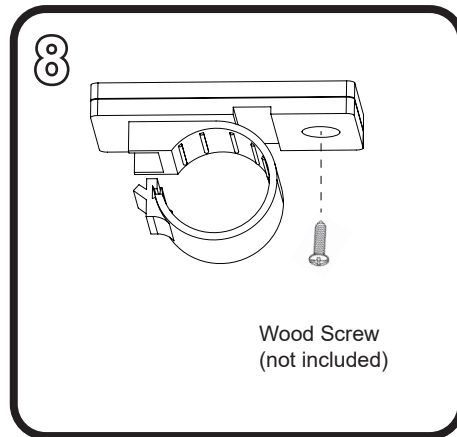


Plug the fan's power cord into a 120 V grounded outlet.

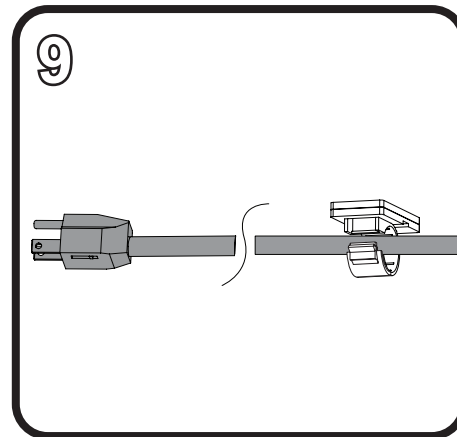
ASSEMBLY INSTRUCTIONS (OPTIONAL)



Use cord clips (I) to secure the fan's power cord to ceiling in a path toward the power outlet. Peel the backing off of the double-sided tape preassembled to back side of each cord clip (I).



(Optional) Cord clips have a round hole to accommodate a wood screw (sold separately) as an option to the taping method.



Secure each cord clip (I) to the ceiling. Then insert the cord into each clip and press the clip closed to secure the cord. Note: Leave adequate slack near the fan to allow fan to swivel and/or tilt.

OPERATING INSTRUCTIONS

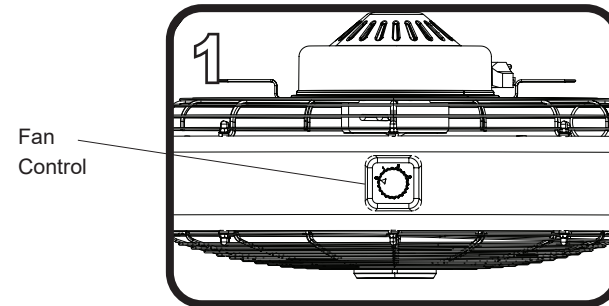
1. **Fan Control** is located on the bottom side of the fan. The fan has four settings:

- 0 - Off
- 1 - Low Speed
- 2 - Medium Speed
- 3 - High Speed

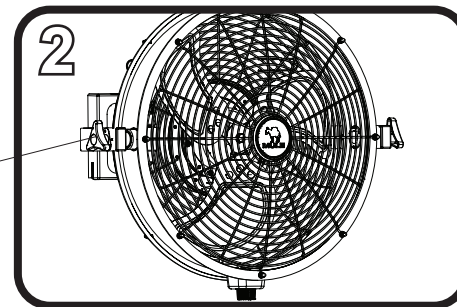
2. Use tilt knobs on sides of fan to adjust airflow up or down. Loosen tilt knobs by turning counterclockwise, adjust fan, and retighten tilt knobs.

3. There is a pivot hinge between the base and the fan. To adjust the hinge, loosen the pivot knob, move fan in desired direction and tighten the pivot knob.

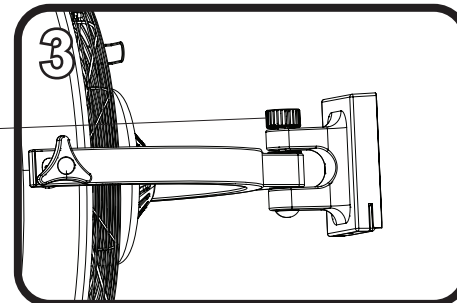
4. Cord Brackets are located on back of fan. When not in use, wrap power cord around the two cord brackets.



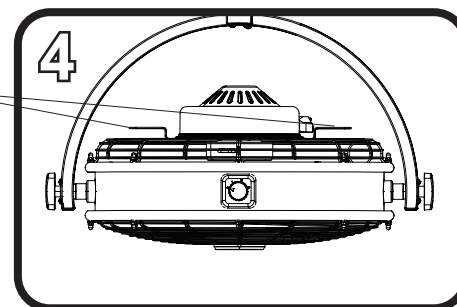
Fan Control



Tilt Knob



Pivot Knob



Cord Brackets

TROUBLESHOOTING

Fan does not work. Ensure the main power cord is plugged into a 120V receptacle and set to Low (1), Medium (2) or High (3).

SAFETY INFORMATION

CAUTION:

- Read and follow all instructions before operating fan.
- Do not use fan if any part is damaged or missing.
- This garage fan is rated for indoor and damp locations.
- Connect to properly grounded outlets only.
- Do not insert fingers or any other objects through the grill guard when fan is in operation.
- Disconnect the fan when moving from one location to another.
- Disconnect the fan when removing guards for cleaning.
- Do not use fan near windows. Rain and water may create an electrical hazard.
- Do not alter the fan's assembly.

WARNING:

- To reduce the risk of fire or electrical shock, do not use this fan with any solid state speed control device. This appliance has a 3-prong plug. To reduce the risk of electrical shock, this plug is intended to fit in an outlet only one way. If this does not fit the outlet, contact a qualified electrician. Do not attempt to bypass this procedure.
- Failure to secure mounting screws on the bottom of the mounting bracket may result in fan falling causing serious injury or death.

WARRANTY

The manufacturer warrants all of its utility fans against defects in materials and workmanship for one (1) year from the date of purchase. If within this period the product is found to be defective, take a copy of the bill of sale as a proof of purchase and the product in its original carton to the place of purchase. The manufacturer will, at its option, repair, replace or refund the purchase price to the consumer. All costs of installation and removal of the fixture is the responsibility of the consumer. This warranty does not cover utility fans becoming defective due to misuse, accidental damage or improper handling and/or installation and specifically excludes liability for direct, incidental or consequential damages. As some states do not allow exclusions of limitations on an implied warranty, the above exclusion and limitation may not apply. This warranty gives you specific rights and you may also have other rights which may vary from state to state.

CUSTOMER SERVICE

To obtain service, please contact Customer Service: 1-877-289-8692, 8 a.m. - 5 p.m. Central Time, Monday - Friday.

To order additional Mule products, visit MULEPRODUCTS.COM. Follow us on social media at:

- [FACEBOOK.COM/GETTHEMULE](https://www.facebook.com/GETTHEMULE)
- [YOUTUBE.COM/@GETTHEMULE](https://www.youtube.com/@GETTHEMULE)
- [TIKTOK.COM/@GETTHEMULE](https://www.tiktok.com/@GETTHEMULE)
- [INSTAGRAM.COM/GETTHEMULE](https://www.instagram.com/GETTHEMULE)
- [TWITTER.COM/GETTHEMULE](https://www.twitter.com/GETTHEMULE)
- [PINTEREST.COM/GETTHEMULE](https://www.pinterest.com/GETTHEMULE)

