

STRONGWAY™

800A PEAK LITHIUM JUMP STARTER

Owner's Manual



⚠ WARNING: Read carefully and understand all ASSEMBLY AND OPERATION INSTRUCTIONS before operating. Failure to follow the safety rules and other basic safety precautions may result in serious personal injury.

Item #6106084

SAVE THESE INSTRUCTIONS

Thank you very much for choosing a Strongway product!

For future reference, please complete the owner's record below:

Serial Number/Lot Date Code: _____

Purchase Date: _____

Save the receipt, warranty, and this manual. It is important that you read the entire manual to become familiar with this product before you begin using it.

This product is designed for certain applications only. Northern Tool and Equipment is not responsible for issues arising from modification or improper use of this product such as an application for which it was not designed. We strongly recommend that this product not be modified and/or used for any application other than that for which it was designed.

For technical questions, please call **1-800-222-5381**.

TABLE OF CONTENTS

Warning	4-5
Technical Parameters	5
Main Features	6
Product Illustration	7
Accessories	7
Operation Instruction	8-10
Q&A	10-11
Limited Warranty	12

WARNING

• **Risk of Electric Shock, Fire and Explosion**

- Read the entire manual before using this product. Follow the instructions in this manual and the instructions provided by the manufacturer of the battery you are connecting to as well as the vehicle you are jump-starting or powering.
- Keep out of reach of children.
- Do not use if the case, cables, or clamps are damaged.
- Charge unit each 3 months to avoid battery inside the unit to freeze.
- Never attempt to jump-start a frozen battery.
- Do not touch the clamps together or to the same piece of conductive metal.
- Do not disassemble. No user-serviceable parts inside. Refer to the service section of this manual.
- Use in conjunction with lead-acid batteries only. Do not use it for dry cell batteries or other battery types such as lithium-ion, nickel hydride, or others.
- This product is intended for negative ground applications only. **DO NOT USE ON POSITIVE GROUND SYSTEMS.**
- Be careful with tools around lead-acid batteries; do not drop tools on battery sparks or an explosion could result.

WARNING

PERSONAL SAFETY

- Stay alert, watch what you are doing, and use common sense when operating the jump starter.
- Do not use the unit while you are tired or under the influence of drugs, alcohol, or medication.
- Dress properly. Do not wear loose clothing, dangling objects, or jewelry. Keep your hair, clothing, and gloves away from the battery.
- Wear rubber gloves and protective clothing when working around lead acid batteries.
- Wear the proper personal protective equipment when necessary. Use ANSI Z87.1 compliant safety goggles (not safety glasses) with side shields, or when needed, a face shield.
- Ensure the power switch is off after each use.

WARNING

WORK AREA SAFETY

- Inspect the work area before each use. Keep the work area clean, dry, free of clutter, and well-lit.
- Cluttered, wet, or dark work areas can result in injury. Using the product in confined work areas may put you dangerously close to cutting tools and rotating parts.
- Do not use this Jump starter where there is a risk of causing a fire or an explosion, e.g., in the presence of flammable liquids, gases, or dust. The product can create sparks, which may ignite flammable liquids, gases, or dust.
- Keep children and bystanders away from the work area while operating the tool. Do not allow children to handle the product.
- Be aware of all power lines, electrical circuits, water pipes, and other mechanical hazards in your work area. Some of these hazards may be hidden from your view and may cause personal injury and/or property damage if contacted.
- Do not submerge in water.

TECHNICAL PARAMETERS

Part Number	6106084
Input	13V 1A
Output Voltage	12V DC
Boost Power	280A Cranking Amps
Peak Amp	800 Amps
Battery inside	8100mAH Sealed Lithium Battery, Rechargeable
Other features	Work Lamp, USB and 12V DC Output

MAIN FEATURES

PEAK 800 AMP BOOST TO START DEAD BATTERY

Strong output power helps to start most 4 or 6 cylinders gas or diesel engine vehicles, enough power to jump-start your car, truck, SUV, motorcycle, boat, RV, ATV, or tractor; all without the need to use another vehicle for assistance

SLIM, NOVEL SHAPE, EASY-TO-CARRY AND EASY-FOR-STORAGE

This jump starter is slim in design and lightweight, ideally stored in a handbag for daily use to charge electronic devices.

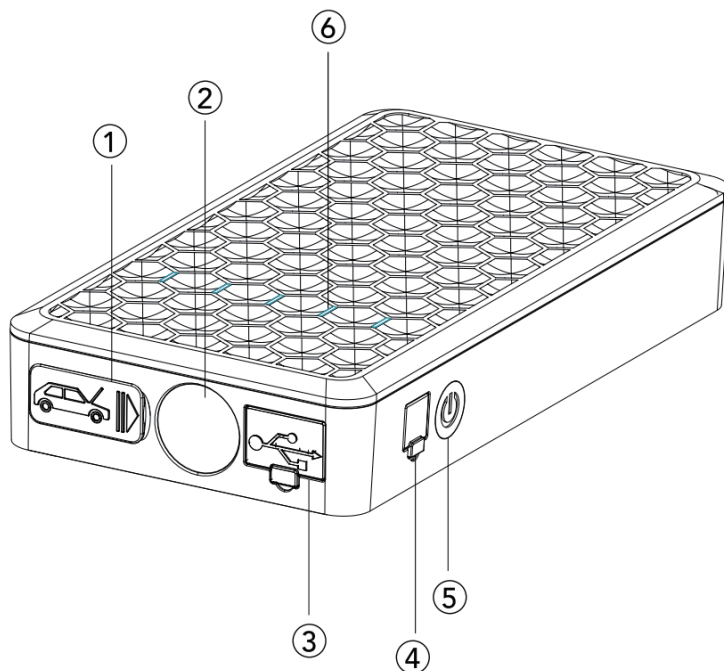
BRIGHT LED WORK LAMP WITH SOS FLASH MODE

The bright LED work lamp offers continuous light source for working in dark environment or outside at night. SOS fast flash mode can be simply switched to by pressing the button for emergency use.

DC OUTPUT FOR ELECTRONIC DEVICES

1*5V USB port offers DC power to charge carry-on electronic devices such as mobile phones, laptops, pads or cameras.

PRODUCT ILLUSTRATION



1: Engine Start Connection port	2: LED Work Light
3: USB Output port	4: 13V / 1A Input Port
5: Power Button	6: Capacity / Charging Status LED Indicator

ACCESSORIES

Accessories	Qty
AC Wall Charger	1
Multi-Interface Cable (USB-micro; USB-C; Lightning to USB-A)	1
Booster Clamp Set	1
Manual	1
Nylon storage case	1



CAUTION

Use Your Jump Starter Safely

- Charge the jump starter:
 1. Charge the unit before use and after use every time.
 2. Do not recharge the Jump Starter with a damaged wall charger or power extension cord.
 3. Never use a charger other than the one that was included with your unit. Using an incompatible charger could damage the internal battery, which could result in property damage or injury.
 4. When charging the internal battery, work in a well-ventilated area and do not restrict ventilation in any way.

- State of Charge LED Indicators:
 1. Charging: Blue LED flashes when charging, and each blue LED represents 20% state of charge.
 2. Full charged: All LEDs become solid blue.

Note 1: After a completed charge cycle, if the charger is not disconnected, the charging mode will be automatically restored when the battery voltage drops below 12V.

Note 2: It is recommended to recharge the Jump Starter every 3-4 months to maintain the efficiency and prolong the service life of the internal battery even if the unit has not been used.

OPERATION INSTRUCTION

JUMP START A VEHICLE

1. Insert "Booster Clamp" into the engine start connection port firmly. Turn the button off before making any vehicle connections
2. Connect the red (+) clamp to the positive (+) terminal of the battery.
3. Connect the black (-) clamp to the negative (-) terminal of the battery or vehicle ground metal part.
4. Ensure the clamp connection is fully engaged. Check Table 1 to see whether the connection is correct before proceeding to the next step.
5. Confirm the green LED on the booster clamp displays solid green. Start the vehicle (Ignite the engine).

Note 1: If the engine does not start successfully within 5 seconds, stop cranking and wait at least 4 minutes before attempting to start the vehicle again. This permits the battery to cool down and prevents damage to the unit and your vehicle's system from overheating.

Note 2: During very cold conditions, the unit may not start on the first attempt. We suggest attempting to start a second or third time, as the starting attempt will warm the internal battery and improve your starting chances.

6. After the engine is successfully started, disconnect the negative (-) battery clamp from the vehicle. Then, disconnect the positive (+) clamp.
7. Disconnect the cable/clamp set from the jump starter (Clamp connection port) and properly store them for the next use.

USING THE LED WORK LIGHT

1. Press and hold the Power Button ⑤ for over 3 seconds to turn it on.
2. Lighting ② working mode:
Turning ON: 100% brightness
1st short press: 50% brightness
2nd short press: Slow flash
3rd short press: Strobe
4th short press: SOS Signal
5th short press: Close
3. After continuing to work for more than 5 seconds in any working mode, short press the Power Button ⑤ will turn off the light directly.

Note: When the internal battery voltage is too low, the work light & USB will be shut off automatically.

USING 5V USB POWER

1. Connect the USB cable to the USB output port of the device ③;
2. Short press the Power Button ⑤, USB provides 5V 2.4A output to provide charging for mobile phones/tablets and other electronic products.
3. The USB output will be automatically turned off after charging is completed.
4. When the load current exceeds 2.4A, the USB output will be automatically turned off.
5. The charging time will be more than 8 hours, and the USB output will be automatically turned off.

TRAVEL LOCK FUNCTION

1. Press and hold the Power Button (5) over 8 seconds to activate travel lock function.
2. In this mode, the device will enter sleep (lock state): a short press of the Power Button (5) would not turn on the USB output, work light output or 12V output.
3. To exit the “travel lock” mode: Press and hold the Power Button (5) again for over 8 seconds.

Q&A

Q. Why didn't my Jump Starter start my vehicle?

A. There could be several reasons why the Jump starter did not start your vehicle.

Check the following:

1. Ensure the Jump starter battery is fully charged.
2. Ensure you have followed the correct operating procedure. Refer to Operation Instruction 4.2.
3. Ensure the vehicle operates with the 12V battery system.
4. The vehicle's battery may be below 2.5V, the minimum start voltage for the Jump Starter. Try to use the override function (under Table 1) to jump-start your vehicle.

Q. Can I leave my Jump Starter connected to the car after it has started?

A. Disconnect the jump starter after you start the engine to prevent extra power draw from the engine and protect the vehicle battery.

Q. What's Peak Amps?

A. Peak Amps is the maximum current that the jump starter can deliver based on lab data.

Q. What is Cranking Amps?

A. Cranking Amps is the continuous current that the jump starter can deliver during ignition.

Q. How do I turn off the product?

A. The product has an intelligent detection function. If there is no load and no electronic device being connected for over 30 seconds, the device will automatically shut down.

Note: The engine start port on the device is always ready and is protected by a rubber cover.

Q. How many times can I charge my cell phone?

A. iPhone 15 Pro Max can be fully charged twice. Other brands of mobile phones can be fully charged for 1-3 times depending on the capacity of the phone's battery.

Q. How many times can I start a vehicle per full charge?

A. Depending on vehicle displacement, the number of starts could be very different. A fully charged unit could have 30+ starts to a 2.0L vehicle based on lab data.

Q. What's the service life?

A. It could be used for 1-5 years on non-commercial uses.

Q. How long do I have to charge the jump starter?

A. To protect battery and keep the unit in the best performance. It is recommended to charge once each three months.

Q. What's the use of the travel lock function?

A. It will shut down the unit completely and you can take the jump starter for travel without accidentally turning on the jump starter.

Q. What are the protection features of this product?

A. There are 8 protections:

1. Reverse polarity protection: Warning and prevent spark when you connect the positive and negative terminal reversely.
2. Overcurrent protection: Prevent overcurrent during charging for the vehicle.
3. Short circuit protection: Warn and prevent spark when you short-connect the positive and negative clamps.
4. Overcharge protection: Prevent over-charge for the battery when you charge your jump starter.
5. Reverse-charge protection: Prevent current draw from the vehicle battery.
6. Over-discharge protection: Prevent over-discharge for the battery during jump start.
7. Over-temperature protection: Prevent overheating during jump start.
8. Spark protection: Prevent sparks when the clamps are connecting car batteries.

LIMITED WARRANTY

Northern Tool and Equipment Company, Inc. "We" or "Us" warrants to the original purchaser only ("You" or "Your") that the Strongway product purchased will be free from material defects in both materials and workmanship, normal wear and tear excepted, for a period of **one year** from date of purchase. The foregoing warranty is valid only if the installation and use of the product is strictly in accordance with product instructions. There are no other warranties, express or implied, including the warranty of merchantability or fitness for a particular purpose. If the product does not comply with this limited warranty, your sole and exclusive remedy is that We will, at our sole option and within a commercially reasonable time, either replace the product or product component without charge to You or refund the purchase price (less shipping). This limited warranty is not transferable.

Limitations on the Warranty

This limited warranty does not cover: (a) normal wear and tear; (b) damage through abuse, neglect, misuse, or as result of any accident or in any other manner; (c) damage from misapplication, overloading, or improper installation; (d) improper maintenance and repair; and (e) product alteration in any manner by anyone other than Us, with the sole exception of alterations made pursuant to product instructions and in a workmanlike manner.

Obligations of Purchaser

You must retain Your product purchase receipt to verify date of purchase and that You are the original purchaser. To make a warranty claim, contact Us at 1-800-222-5381, identify the product by make and model number, and follow the claim instructions that will be provided. The product and the purchase receipt must be provided to Us in order to process Your warranty claim, any returned product that is replaced or refunded by Us becomes our property. You will be responsible for return shipping costs or costs related to Your return visit to a retail store.

Remedy Limits

Product replacement or a refund of the purchase price is Your sole remedy under this limited warranty or any other warranty related to the product. We shall not be liable for: service or labor charges or damage to Your property incurred in removing or replacing the product; any damages, including, without limitation, damages to tangible personal property or personal injury, related to Your improper use, installation, or maintenance of the product or product component; or any indirect, incidental or consequential damages of any kind for any reason.

Assumption of Risk

You acknowledge and agree that any use of the product for any purpose other than the specified use(s) stated in the product instructions is at Your own risk.

Governing Law

This limited warranty gives You specific legal rights, and You also may have other rights which vary from state to state. Some states do not allow limitations or exclusions on implied warranties or incidental or consequential damages, so the above limitations may not apply to You. This limited warranty is governed by the laws of the State of Minnesota, without regard to rules pertaining to conflicts of law. The state courts located in Dakota County, Minnesota shall have exclusive jurisdiction for any disputes relating to this warranty.

STRONGWAY™

Distributed by
Northern Tool & Equipment Company, Inc.
Burnsville, Minnesota 55306
www.northerntool.com

Made in China