

STRONGWAY™

2,200 PEAK AMP JUMP STARTER WITH 150 PSI AIR COMPRESSOR

Owner's Manual



⚠ WARNING: Read carefully and understand all ASSEMBLY AND OPERATION INSTRUCTIONS before operating. Failure to follow the safety rules and other basic safety precautions may result in serious personal injury.

Item #6106076

SAVE THESE INSTRUCTIONS

Thank you very much for choosing a Strongway product!

For future reference, please complete the owner's record below:

Serial Number/Lot Date Code: _____

Purchase Date: _____

Save the receipt, warranty, and this manual. It is important that you read the entire manual to become familiar with this product before you begin using it.

This product is designed for certain applications only. Northern Tool and Equipment is not responsible for issues arising from modification or improper use of this product such as an application for which it was not designed. We strongly recommend that this product not be modified and/or used for any application other than that for which it was designed.

For technical questions, please call **1-800-222-5381**.

TABLE OF CONTENTS

Warning	4-5
Technical Parameters	5
Main Features	6
Product Illustration	7
Operation Instruction.....	8-9
Maintenance Instruction.....	10
Limited Warranty.....	11

WARNING

• **Risk of Electric Shock, Fire and Explosion**

- Read the entire manual before using this product. Follow the instructions in this manual and the instructions provided by the manufacturer of the battery you are connecting to as well as the vehicle you are jump-starting or powering.
- Keep out of reach of children.
- Do not use if the case, cables, or clamps are damaged.
- Charge unit each 3 months to avoid battery inside the unit to freeze.
- Never attempt to jump-start a frozen battery.
- Do not touch the clamps together or to the same piece of conductive metal.
- Do not disassemble. No user-serviceable parts inside. Refer to the service section of this manual.
- Use in conjunction with lead-acid batteries only. Do not use it for dry cell batteries or other battery types such as lithium-ion, nickel hydride, or others.
- This product is intended for negative ground applications only.
- **DO NOT USE ON POSITIVE GROUND SYSTEMS.**
- Be careful with tools around lead-acid batteries; do not drop tools on battery sparks or an explosion could result.

WARNING

PERSONAL SAFETY

- Stay alert, watch what you are doing, and use common sense when operating the jump starter.
- Do not use the unit while you are tired or under the influence of drugs, alcohol, or medication.
- Dress properly. Do not wear loose clothing, dangling objects, or jewelry. Keep your hair, clothing, and gloves away from the battery.
- Wear rubber gloves and protective clothing when working around lead acid batteries.
- Wear the proper personal protective equipment when necessary. Use ANSI Z87.1 compliant safety goggles (not safety glasses) with side shields, or when needed, a face shield.
- Ensure the power switch is off after each use.

WARNING

WORK AREA SAFETY

- Inspect the work area before each use. Keep the work area clean, dry, free of clutter, and well-lit.
- Cluttered, wet, or dark work areas can result in injury. Using the product in confined work areas may put you dangerously close to cutting tools and rotating parts.
- Do not use this jump starter where there is a risk of causing a fire or an explosion, e.g., in the presence of flammable liquids, gases, or dust. The product can create sparks, which may ignite flammable liquids, gases, or dust.
- Keep children and bystanders away from the work area while operating the tool. Do not allow children to handle the product.
- Be aware of all power lines, electrical circuits, water pipes, and other mechanical hazards in your work area. Some of these hazards may be hidden from your view and may cause personal injury and/or property damage if contacted.
- Do not submerge in water.

TECHNICAL PARAMETERS

Part Number	6106076
Input	14.4V 2A
Output Voltage	12V DC
Boost Power	1000A Cranking Amps
Peak Amps	2200 Amps
Battery	22AH Sealed Lead-Acid, Rechargeable
Other Features	Work Lamp, Air Compressor, USB, and 12V DC Output

MAIN FEATURES

PEAK 2200 AMP BOOST TO START DEAD BATTERIES

Strong output power helps to start most 6 to 8-cylinder gas or diesel engine vehicles, enough power to jump-start your car, truck, SUV, motorcycle, boat, RV, ATV, or tractor; all without the need to use another vehicle for assistance

150PSI AIR COMPRESSOR FOR TIRE INFLATION

This jump starter is equipped with a 150PSI air compressor to help inflate tires, sports equipment, or other items with low pressure, ideally for outdoor emergency use or standby compressor air source.

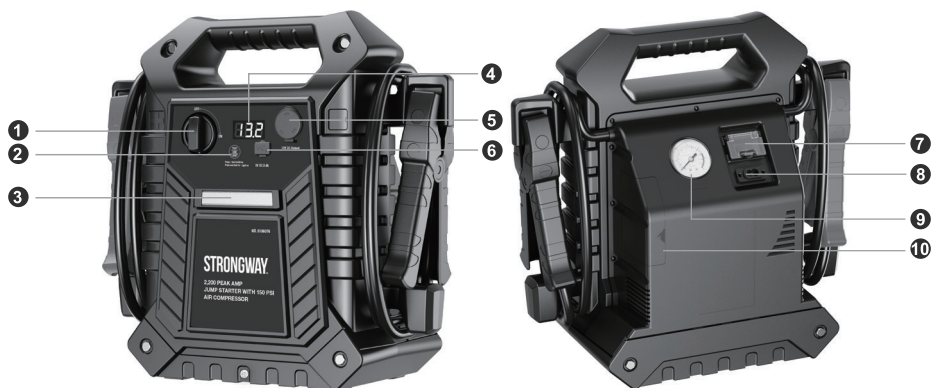
BRIGHT LED WORK LAMP WITH SOS FLASH MODE

The bright LED work lamp offers a continuous light source for working in dark environments or outside at night. SOS fast flash mode can be simply switched to by pressing the button for emergency use.

MULTIPLE DC OUTPUTS FOR ELECTRONIC DEVICES

1*12V DC output + 1*5V USB port offer DC power to charge carry-on electronic devices such as mobile phones, laptops, pads, or cameras.

PRODUCT ILLUSTRATION



1: Power switch	2: Digital screen display/Lamp button
3: LED Work lamp	4: Digital screen
5: 12V DC Cigarette Lighter Outlet	6: 5V DC USB Outlet
7: Air compressor switch	8: AC charging plug
9: Air compressor gauge	10: Air compress hosestorage

BEFORE USE

Before using your jump starter, you should fully charge it. Recharge every 3 months or after each use. Fluctuations in temperature can accelerate battery discharge. Check the unit often. Charge the unit using the provided AC power cord.

CAUTION

Use Your Jump Starter Safely

- If the unit is not fully charged it may shut down under heavy load due to insufficient voltage.
- Failure to keep the internal battery charged will lead to permanent battery damage.
- TO PREVENT SERIOUS INJURY: Turn all switches to the OFF position before performing any inspection, maintenance, or cleaning procedures.

OPERATION INSTRUCTION

JUMPING START A 12V VEHICLE BATTERY

1. Keep ignition off before making cable connections.
 2. Make sure Power Switch on the front of the unit is on the OFF position until clamps are connected to the vehicle battery correctly.
 3. Connect the red (positive +) clamp to positive terminal or post on the vehicle battery.
 4. Connect the black (negative –) clamp to a ground away from the battery, such as an alternator bracket.
 5. If connecting the clamps backward, the screen will display “Er1” with a continuous alarm sound. In this case, you need to exchange the positive and Negative clamps and connect. DO NOT turn the unit on. This could cause serious damage. Reverse the connections, and then the audible alarm will stop.
 6. If the external voltage is too high (such as 24V battery), the screen will display “Er2” and is accompanied by a continuous alarm sound.
- NOTE** - Your jump starter is used for only 12V vehicles. DO NOT connecting to a 24V vehicle.
- 7: Once the 2 clamps properly connection, the screen will display "external battery voltage data", and then turn on power switch.
 8. Start the engine for 3-5 seconds. If the engine does not start within 10 seconds, stop cranking and wait at least 4 minutes before attempting to start the vehicle again. This permits the battery to cool down and prevents damage to the unit and to your vehicle's system from overheating.
 9. After use, turn power switch off firstly, then disconnect the clamps, first negative and then positive. Store clamps properly on the unit.
 10. Recharge the unit after each use.

USING AS A 12V POWER SOURCE

1. Uncover the cover of the cigarette lighter socket on the front of the unit;
2. Insert the cigarette lighter plug you are using into the cigarette lighter socket, and insert it to keep it in good contact turn on the power. There is no switch control for this cigarette lighter, When the external environment is severely overloaded, the protection will be automatically cut off.

Note - When using the cigarette lighter to charge the product, make sure that the external battery

matches the product to avoid overcharging.

USING WORK LIGHT

1. Press the "TEST/USB /LIGHT" button on front panel (Continuous pressing >3s).
2. The light works and enters the strong light mode. Press the button again to enter the soft light mode, press the switch button to enter the flash mode, press the button again to enter the slow flash mode, press the button again to enter the SOS mode, and then press the button again to shut off the light.
3. After working continuously for more than 5 seconds in any working mode, you can also turn off the switch by pressing the switch.

NOTE - When the internal battery voltage is too low, the work light & USB will be shut off automatically.

USING AIR COMPRESSOR

The air compressor is rated for 150 PSI.

1. Get out the air compressor hose from the storage position. Install adapters if necessary.
2. Attach the air compressor hose to the tire or accessory to be inflated.
3. Turn COMPRESSOR Switch on and inflate the product.
4. When the product is inflated to the proper air pressure (using the air compressor gauge), turn the switch to the middle position and remove the hose.
5. Recharge the unit as soon as possible after use the air compressor.

NOTE - Do not run for more than 10 minutes maximum at a time. Allow it to cool down for 10 minutes before using again.

USING 5V USB POWER

The USB power outlet provides a maximum of 5V DC / 2.1A power to an external USB-powered device.

1. Plug the USB-powered device into the USB power outlet.
2. Press "TEST/USB /LIGHT" button, the unit will start charging.
3. Reverse these steps after using the USB power.
4. The unit will Automatically shut off after continuous use more than 8 hours.

NOTE - When the internal battery voltage is too low, the USB power will be shut off automatically.

MAINTENANCE INSTRUCTION

- **TO PREVENT SERIOUS INJURY FROM TOOL FAILURE:** Do not use damaged equipment. If abnormal noise or vibration occurs, have the problem corrected before further use.
- **BEFORE EACH USE,** inspect the general condition of the unit. Check for loose hardware, misalignment or binding of moving parts, cracked or broken parts, damaged electrical wiring, and any other condition that may affect its safe operation.
- **AFTER USE,** wipe the external surfaces of the tool with a clean cloth.
- **LEAD-ACID BATTERIES MUST BE RECYCLED OR DISPOSED OF PROPERLY.** Do not short terminals. Do not incinerate.

CHARGING THE UNIT

1. Use the included original charger for charging. Non-standard chargers will shorten the life of the product and may even be dangerous.
2. Charge the unit before using it for the first time.
3. After each use, press the TEST button to check the battery level; charge the battery if it is lower than 50%, and charge it immediately when it is lower than 25%.

◆Charging procedure:

1. Connect the power cord plug to the charging socket, and then connect to 120VAC 60Hz AC power source;
2. The machine will charge automatically, screen displays the real-time status during charging, and the "CHA" and the "real-time percentage" alternately flash;
3. Screen will display "FUL" after charging complete.
4. Disconnect AC power source firstly, then collect charging cord.

NOTE: After the end of charging, if the power connection is not disconnected in time, the system will display "FUL" to automatically turn off the display after 10 minutes to reduce power consumption.

In the off state, the user can wake up the system display by pressing the TEST switch.

4. If the unit idle for long time, please charge each 3 months.

NOTE: In order to achieve the maximum battery work life, it is recommended to keep the unit fully charged at all times.

If the battery is not fully charged for a long time, the battery capacity and life will be shortened

LIMITED WARRANTY

Northern Tool and Equipment Company, Inc. "We" or "Us" warrants to the original purchaser only ("You" or "Your") that the Strongway product purchased will be free from material defects in both materials and workmanship, normal wear and tear excepted, for a period of **one year** from date of purchase. The foregoing warranty is valid only if the installation and use of the product is strictly in accordance with product instructions. There are no other warranties, express or implied, including the warranty of merchantability or fitness for a particular purpose. If the product does not comply with this limited warranty, your sole and exclusive remedy is that We will, at our sole option and within a commercially reasonable time, either replace the product or product component without charge to You or refund the purchase price (less shipping). This limited warranty is not transferable.

Limitations on the Warranty

This limited warranty does not cover: (a) normal wear and tear; (b) damage through abuse, neglect, misuse, or as result of any accident or in any other manner; (c) damage from misapplication, overloading, or improper installation; (d) improper maintenance and repair; and (e) product alteration in any manner by anyone other than Us, with the sole exception of alterations made pursuant to product instructions and in a workmanlike manner.

Obligations of Purchaser

You must retain Your product purchase receipt to verify date of purchase and that You are the original purchaser. To make a warranty claim, contact Us at 1-800-222-5381, identify the product by make and model number, and follow the claim instructions that will be provided. The product and the purchase receipt must be provided to Us in order to process Your warranty claim, any returned product that is replaced or refunded by Us becomes our property. You will be responsible for return shipping costs or costs related to Your return visit to a retail store.

Remedy Limits

Product replacement or a refund of the purchase price is Your sole remedy under this limited warranty or any other warranty related to the product. We shall not be liable for: service or labor charges or damage to Your property incurred in removing or replacing the product; any damages, including, without limitation, damages to tangible personal property or personal injury, related to Your improper use, installation, or maintenance of the product or product component; or any indirect, incidental or consequential damages of any kind for any reason.

Assumption of Risk

You acknowledge and agree that any use of the product for any purpose other than the specified use(s) stated in the product instructions is at Your own risk.

Governing Law

This limited warranty gives You specific legal rights, and You also may have other rights which vary from state to state. Some states do not allow limitations or exclusions on implied warranties or incidental or consequential damages, so the above limitations may not apply to You. This limited warranty is governed by the laws of the State of Minnesota, without regard to rules pertaining to conflicts of law. The state courts located in Dakota County, Minnesota shall have exclusive jurisdiction for any disputes relating to this warranty.

STRONGWAY™

Distributed by
Northern Tool & Equipment Company, Inc.
Burnsville, Minnesota 55306
www.northerntool.com

Made in Vietnam