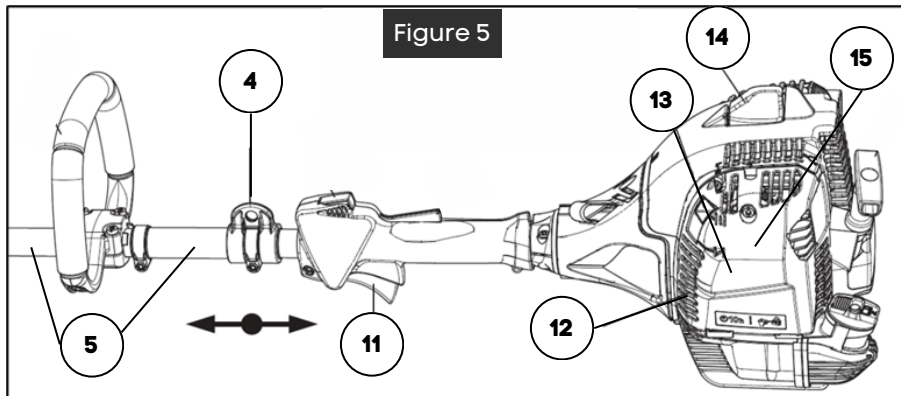
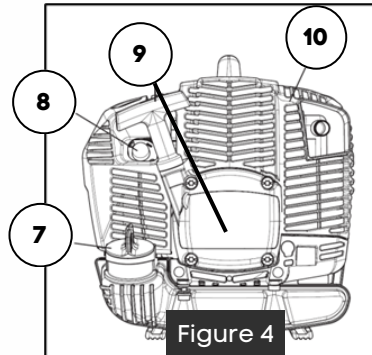
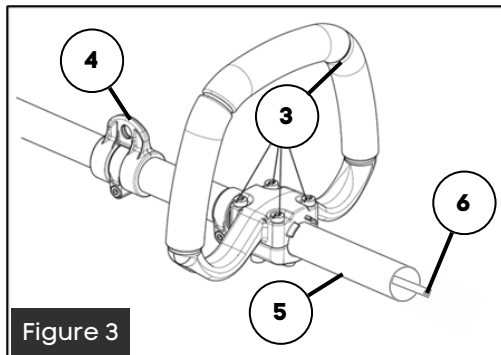
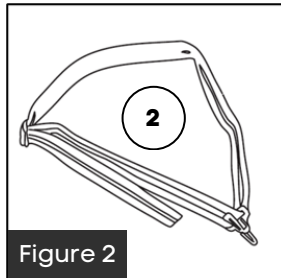
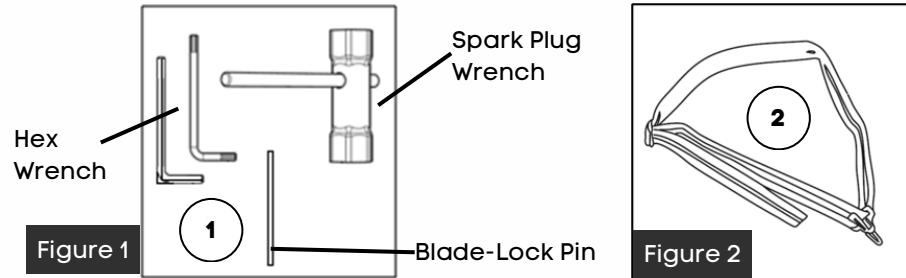




ILLUSTRATED PART LIST (IPL)

EFCO - 2 Cycle Engine



Part Name

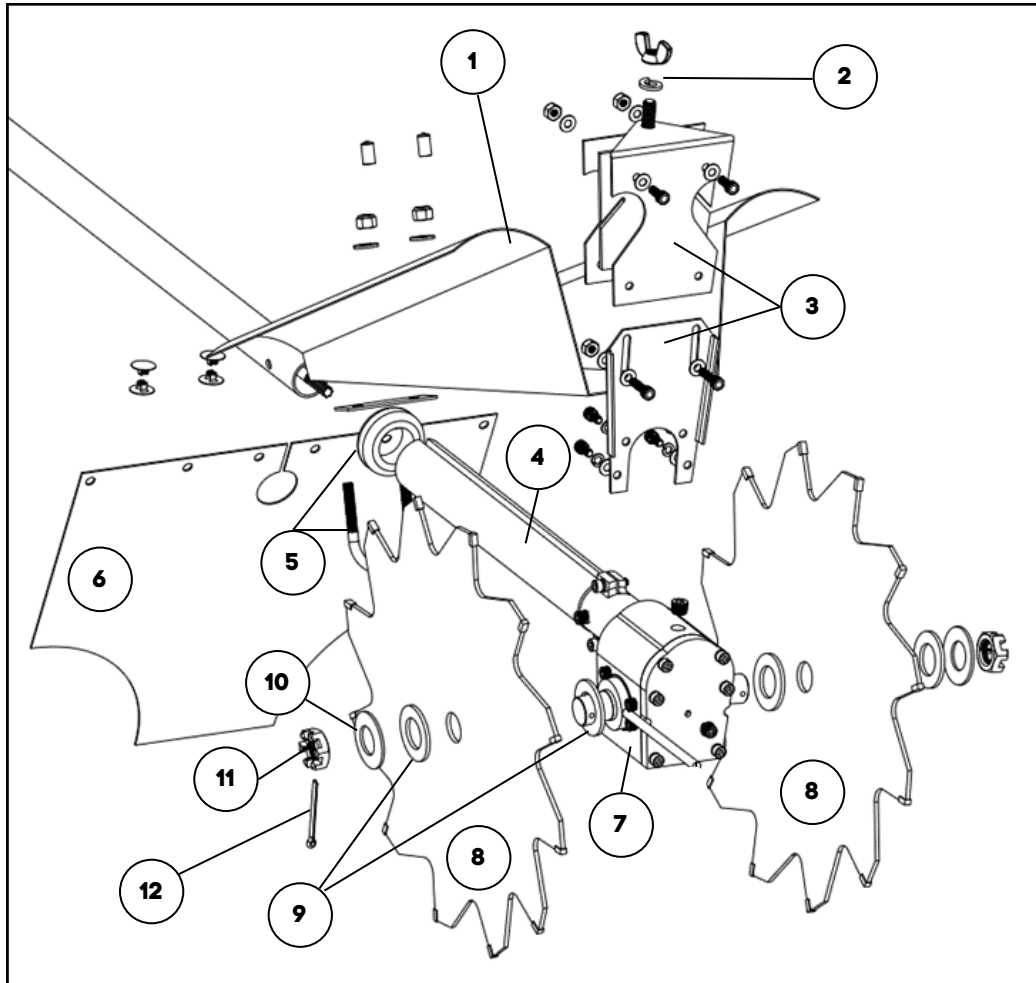
Part Number

Figure 1	1. Tool Kit	TBP1053
Figure 2	2. Harness Strap	TBP1051
Figure 3	3. Loop Handle & Mounting Screws	TBP1048
	4. Harness Attachment/Eyelet	TBP1067
	5. Engine Pole	TBP1057
	6. Drive Shaft	TBP1058
Figure 4	7. Fuel Tank Assembly	TBP1052
	8. Fuel Purge Bulb	TBP1059
	9. Starter Assembly	TBP1060
	10. Engine Cover	TBP1061
Figure 5	11. Throttle Lever	TBP1062
	12. Carburetor	TBP1063
	13. Air Filter Cover	TBP1064
	14. Spark Plug (NGKBPMR7A)	TBP1065
	15. Air Filter (behind cover)	TBP1066



ILLUSTRATED PART LIST (IPL)

Trenching Head Assembly



Part Name

Part Number

1. Top Deflector	TBP1017
2. Bridge Plate Bolt Assembly	TBP1055
3. Front Bridge Plate Assy	TBP1041-12
4. Pole Guard	TBP1044
5. U-Bolt/Grommet Assembly	TBP1056
6. Deflector Rubber Flap	TBP1068
7. Gearbox Assembly	TBP1007
8-A. Std Excavating Blades (set)	TBP003-12
8-B. Badger Claw Blades (single)	TBP004-12
9. Slip Washers (2x)	TBP1046
10. Blade Belleville Washer	TBP1042
11. Blade Castle Nut	TBP1090
12. Cotter Pin (10x)	TBP1069