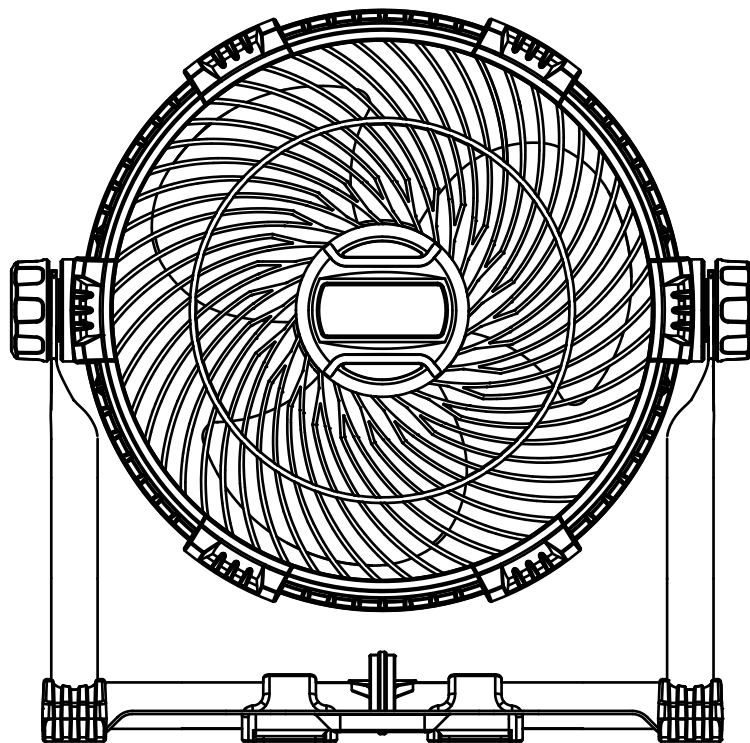


KLUTCH®

20V / 120V DUAL POWER CORDLESS FAN

Owner's Manual



For maximum performance,
use 4.0Ah battery or greater
(Sold Separately)

! **WARNING:** Read carefully and understand all ASSEMBLY AND OPERATION INSTRUCTIONS before operating. Failure to follow the safety rules and other basic safety precautions may result in serious personal injury.

Item # 6078950

READ & SAVE THESE INSTRUCTIONS

Thank you very much for choosing a KLUTCH™ product!

For future reference, please complete the owner's record below:

Serial Number/L ot Date Code: _____

Purchase Date: _____

Save the receipt, warranty, and this manual. It is important that you read the entire manual to become familiar with this product before you begin using it.

This 20v / 120v Dual Power Cordless Fan is designed for certain applications only. Northern Tool and Equipment is not responsible for issues arising from modification or improper use of this product such as an application for which it was not designed. We strongly recommend that this product not be modified and/or used for any application other than that for which it was designed.

For technical questions, please call **1-866-915-8626**.

IMPORTANT SAFETY INSTRUCTION

WARNING: Read all instructions. Failure to follow the warnings and instructions may result in electric shock, fire and/or serious injury. Retain this manual for future reference.

1. Work area safety

- a. Keep work area clean and well lit. Cluttered or dark areas invite accidents.
- b. Do not operate power tools in explosive atmospheres, such as in the presence of flammable liquids, gases or dust. Power tools create sparks which may ignite the dust or fumes.
- c. Keep children and bystanders away while operating a power tool. Distractions can cause you to lose control.

2. Electrical safety

- a. Power tool plugs must match the outlet. Never modify the plug in any way. Do not use any adapter plugs with earthed (grounded) power tools. Unmodified plugs and matching outlets will reduce risk of electric shock.
- b. Avoid body contact with earthed or grounded surfaces such as pipes, radiators, ranges and refrigerators. There is an increased risk of electric shock if your body is earthed or grounded.
- c. Do not expose power tools to rain or wet conditions. Water entering a power tool will increase the risk of electric shock.
- d. Do not abuse the cord. Never use the cord for carrying, pulling or unplugging the power tool. Keep cord away from heat, oil, sharp edges or moving parts. Damaged or entangled cords increase the risk of electric shock.
- e. When operating a power tool outdoors, use an extension cord suitable for outdoor use. Use of a cord suitable for outdoor use reduces the risk of electric shock.

3. Personal safety

- a. Stay alert, watch what you are doing and use common sense when operating a power tool. Do not use power tools while you are tired or under the influence of drugs, alcohol or medication. A moment of inattention while operating power tools may result in serious personal injury.
- b. Use personal protective equipment. Always wear eye protection. Protective equipment such as dust mask, nonskid safety shoes, hard hat, or hearing protection used for appropriate conditions will reduce personal injuries.
- c. Prevent unintentional starting. Ensure the switch is in the off-position before connecting to power source and/or battery pack, picking up or carrying the tool. Carrying power tools with your finger on the switch or energising power tools that have the switch on invites accidents.
- d. Remove any adjusting key or wrench before turning the power tool on. A wrench or a key left attached to a rotating part of the power tool may result in personal injury.
- e. Do not overreach. Keep proper footing and balance at all times. This enables better control of the power tool in unexpected situations.
- f. Dress properly. Do not wear loose clothing or jewellery. Keep your hair, clothing and gloves away from moving parts. Loose clothes, jewellery or long hair can be caught in moving parts.
- g. If devices are provided for the connection of dust extraction and collection facilities, ensure these are connected and properly used. Use of dust collection can reduce dust-related hazards.

4. Personal protection

- a. Risk of eye injury. Wear safety glasses or similar eye protection. Use a face or dust mask whenever the operations may produce dust or flying particles.
- b. Wear ear protection whenever the sound level seems uncomfortable.
- c. Do not overreach
- d. Keep proper footing and balance at all times.

IMPORTANT SAFETY INSTRUCTION

5. Use the appropriate tool

- a. The intended use is described in this instruction manual. Do not force small tools or attachments to do the job of a heavy-duty tool.
- b. The tool will do the job better and safer at the rate for which it was intended. The use of any accessory or attachment or performance of any operation with this tool other than those recommended in this instruction manual may present a risk of personal injury. Do not force the tool.

6. Check for damaged parts

- a. Before using the tool, carefully check it for damage to ensure that it will operate properly and perform its intended function.
- b. Check for misalignment and seizure of moving parts, breakage of parts and any other conditions that may effect its operation.
- c. Have any defective parts repaired or replaced by an authorized repair agent. Do not use the tool if any part is defective.
- d. Never attempt any repairs yourself.

7. Remove the battery

- a. Reduce the risk of injury to persons. Remove the battery pack when the tool is not in use, before changing any parts of the tool, accessories or attachments, and before cleaning or servicing.
- b. Avoid unintentional starting
- c. Do not carry the tool with a finger on the on/off switch.

8. Never carry the charger by its cord or pull it to disconnect from the socket. Keep the cord away from heat, oil, and sharp edges.

POWER TOOL USE AND CARE

1. Do not force the power tool. Use the correct power tool for your application. The correct power tool will do the job better and more safely at the rate for which it was designed.
2. Do not use the power tool if the switch does not turn it on and off. Any power tool that can not be controlled with the switch is dangerous and must be repaired.
3. Disconnect the plug from the power source and/or the battery pack from the power tool before making any adjustments, changing accessories, or storing power tools. Such preventive safety measures reduce the risk of starting the power tool accidentally.
4. Store power tools out of the reach of children and do not allow persons unfamiliar with the power tool or these instructions to operate the power tool. Power tools are dangerous in the hands of untrained users.
5. Maintain power tools. Check for misalignment or binding of moving parts, breakage of parts and any other condition that may affect the power tool's operation. If damaged, have the power tool repaired before use. Many accidents are caused by poorly maintained power tools.
6. Use the power tool, accessories, tool bits, etc. in accordance with these instructions, taking into account the working conditions and the work to be performed. Use of the power tool for operations different from those intended could result in a hazardous situation.

IMPORTANT SAFETY INSTRUCTION

BATTERY TOOL USE AND CARE

1. Recharge only with the charger specified by the manufacturer. A charger that is suitable for one type of battery pack may create a risk of fire when used with another battery pack.
2. Use power tools only with specifically designated battery packs. Use of any other battery packs may create a risk of injury and fire.
3. When battery pack is not in use, keep it away from other metal objects like paper clips, coins, keys, nails screws or other small metal objects that can make a connection from one terminal to another. Shorting the battery terminals together may cause burns or a fire.
4. Under abusive conditions, liquid may be ejected from the battery; avoid contact. If contact accidentally occurs, flush with water. If liquid contacts eyes, also seek medical help. Liquid ejected from the battery may cause irritation or burns.

SERVICE

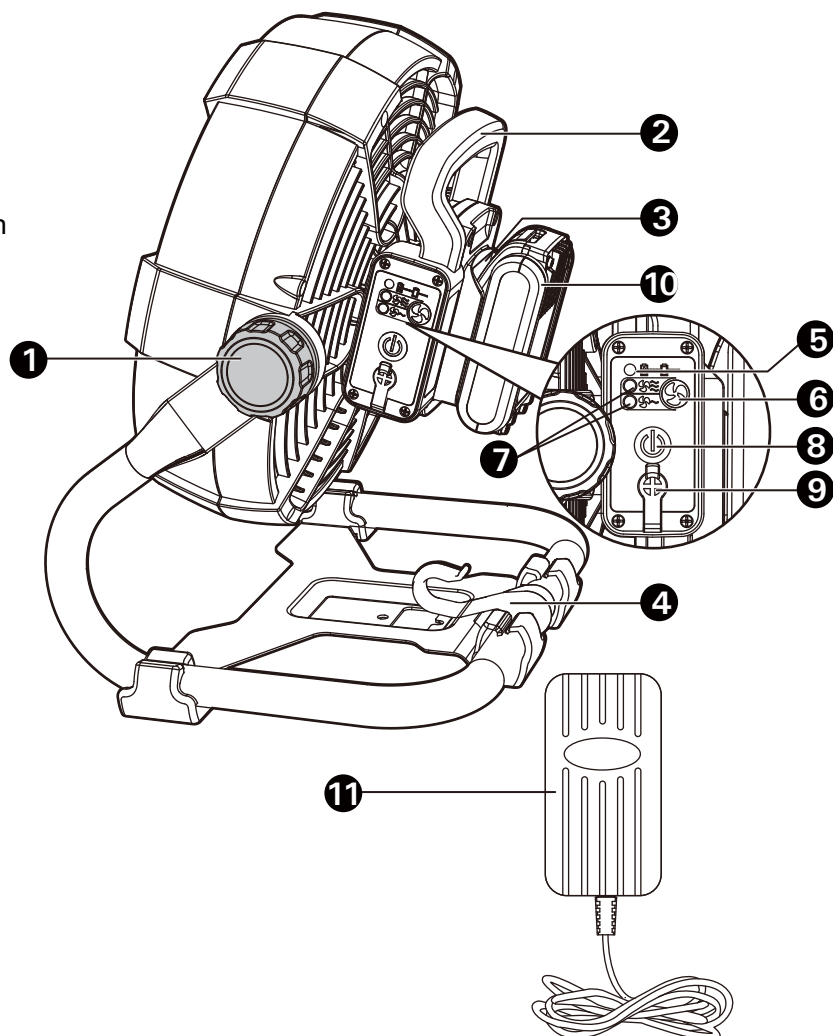
Have your power tool serviced by a qualified repair person using only identical replacement parts. This will ensure that the safety of the power tool is maintained.

SAFETY PRECAUTIONS FOR FAN

1. Ensure that the fan is switched off and remove the battery before removing the guard.
2. If it is necessary to replace the live or neutral brushes to ensure operation of the motor then both brushes and the earth brush should be replaced at the same time. The brushes should only be replaced by a suitably qualified person.

FUNCTION DESCRIPTION

1. Position Adjustment
2. Handle
3. Battery Pack Port
4. Hook
5. Charging Indicator Light
6. Speed Adjustment Button
7. Speed Indicator Light
8. Power Switch
9. AC Adaptor Port
10. Battery Pack
11. AC Adaptor



SPECIFICATIONS

Voltage: 20V Max

Battery Type: Li-Ion

No Load Speed: Hi- 1700RPM, Lo-1000RPM

Air Volume: Hi- 450CFM, Lo-280CFM

Fan Diameter: 9" / with 3x fan blades

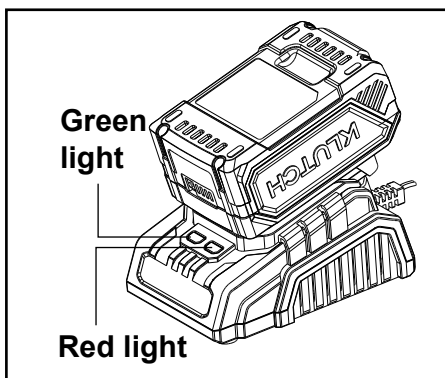
AC Adapter Input: 100-240V~, 50/60Hz

AC Adapter Output: 22V \equiv 1.5A

OPERATION INSTRUCTION

CHARGING BATTERIES(SOLD SEPARATELY)

1. Place the Battery Pack on a dry fireproof surface in a room where the temperature is from 50° F to 104° F.
Note: If recharging a newly spent Battery Pack, allow it to cool completely before charging.
2. Examine the Battery Pack. It must be an undamaged 20V lithium-ion type Battery Pack. Do not charge a cracked, open, or leaking Battery Pack, or charge a non-recommended type of Battery Pack.
3. The Battery Pack's terminals are designed to fit this Charger specifically. If the Battery Pack does not fit the Charger properly, do not try to insert it. Do not force a Battery Pack into the Charger.
4. Make sure the power supply is normal household voltage, 120 volts, AC only, 60 Hz.
5. Connect the charger to a power supply.
6. Slide the Battery Pack onto the Charger
7. The battery pack may become slightly warm to the touch while charging. This is normal and does not indicate a problem.
8. After charging is complete, the green LED will remain on while the charger is in Maintenance mode.
9. Charger will periodically wake from Energy Save mode to ensure the battery pack remains in a fully charged state.
10. To remove the battery pack from the charger, depress the latches on the top of the battery pack and separate battery from charger.



CHARGING A HOT BATTERY PACK

When using a tool continuously, the battery pack may become hot. A hot battery pack may be placed directly onto the charger port but charging will not begin until the battery temperature cools to within acceptable temperature range. When a hot battery pack is placed on the charger, the red LED will begin flashing. When the battery pack cools, the charger will automatically begin charging.

OPERATION INSTRUCTION

The LED lights on charger show different status as below.

LED FUNCTIONS			
RED LED	GREEN LED	STATUS	ACTION
Off	On	Power	Ready to charge battery pack.
Off	Flashing	Charging	Battery is being charged.
Off	On	Fully charged	Disconnect charger from power supply and remove battery pack from charger.
Flashing	Off	Hot battery	The charger will recover to charge when the temperature drops to 104° F (40°C).
On	Off	Battery defective	Battery pack or charger is defective

Caution

Fully charge battery before first use.

Avoid short periods of charging. Only charge battery pack when it completely runs out.

In order to extend the battery life, fully charge it after each use and ensure that it is charged every three months; avoid storing batteries in cold places as low temperatures may cause them to fail.

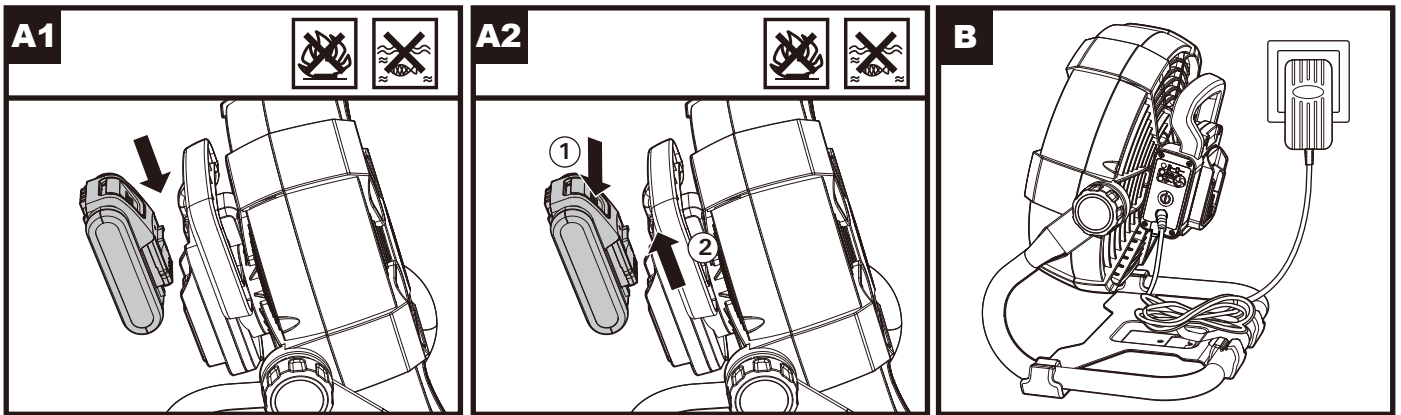
NOTE: Before using the tool, read the instruction book carefully.

WARNING: Do not let your acquaintance with the tool allow you to get injured.

Installing or removing the battery pack /AC adaptor(Fig. A1,A2,B)

Remember to remove battery pack or adaptor each-time when adjusting, cleaning or leaving tool unused.

Confirm the adaptor is firmly in place and on level ground prior to using.

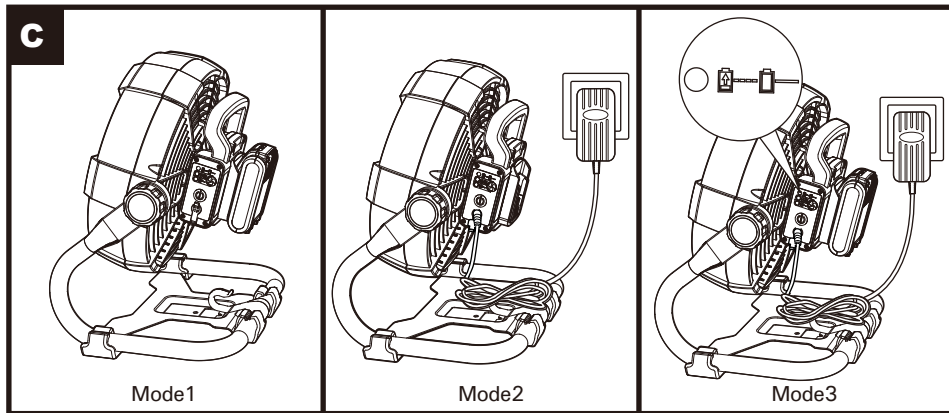


OPERATION INSTRUCTION

Charging the battery pack (Fig. C)

Charging indicator light will be flashing green which means that the battery is being charged. When the battery is fully charged, the light will stay green without flashing. (Fig. C (mode 3))

NOTE: If the fan is off, the battery will be fully charged in 2.5 hours using the AC Adapter. If the fan is running on low speed, it will take approximately 4.0 hours to fully charge. (Fig. C (mode 3))



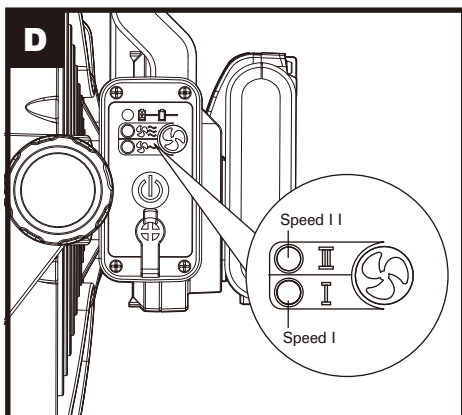
Starting & Stopping (Fig. C)

Push the switch (8) button to start and stop the fan as needed.

WARNING! Make sure that the switch is in the off position when the fan is not in use

Change the speed (Fig. D)

For Low Speed/ High Speed, push the Speed adjustment button (6) to / and front light will turn on.

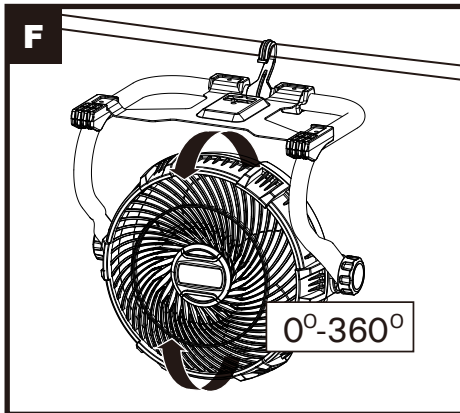


OPERATION INSTRUCTION

Hanging the fan and Adjusting head (Fig. E)

Do not hang the fan in a way that it will impede the fan's operation or possibly damage the power cord.

WARNING! When hanging, be careful to secure the fan so that it will not fall, causing injury or damage.



MAINTENANCE

WARNING! Always remove or disconnect battery pack before adjusting, cleaning, servicing or transporting the fan.

Cleaning and maintenance

1. Must wear eye protection.
2. Do not put your fingers, sticks or other similar objects into the fan. This can cause injury or damage the fan.
3. Never let chemicals touch the plastic parts.
4. Never try to damage any part of the battery pack and keep it away from children. The battery should be recycled and treated correctly.

Not obeying the above warnings can cause injury or possibly fire.

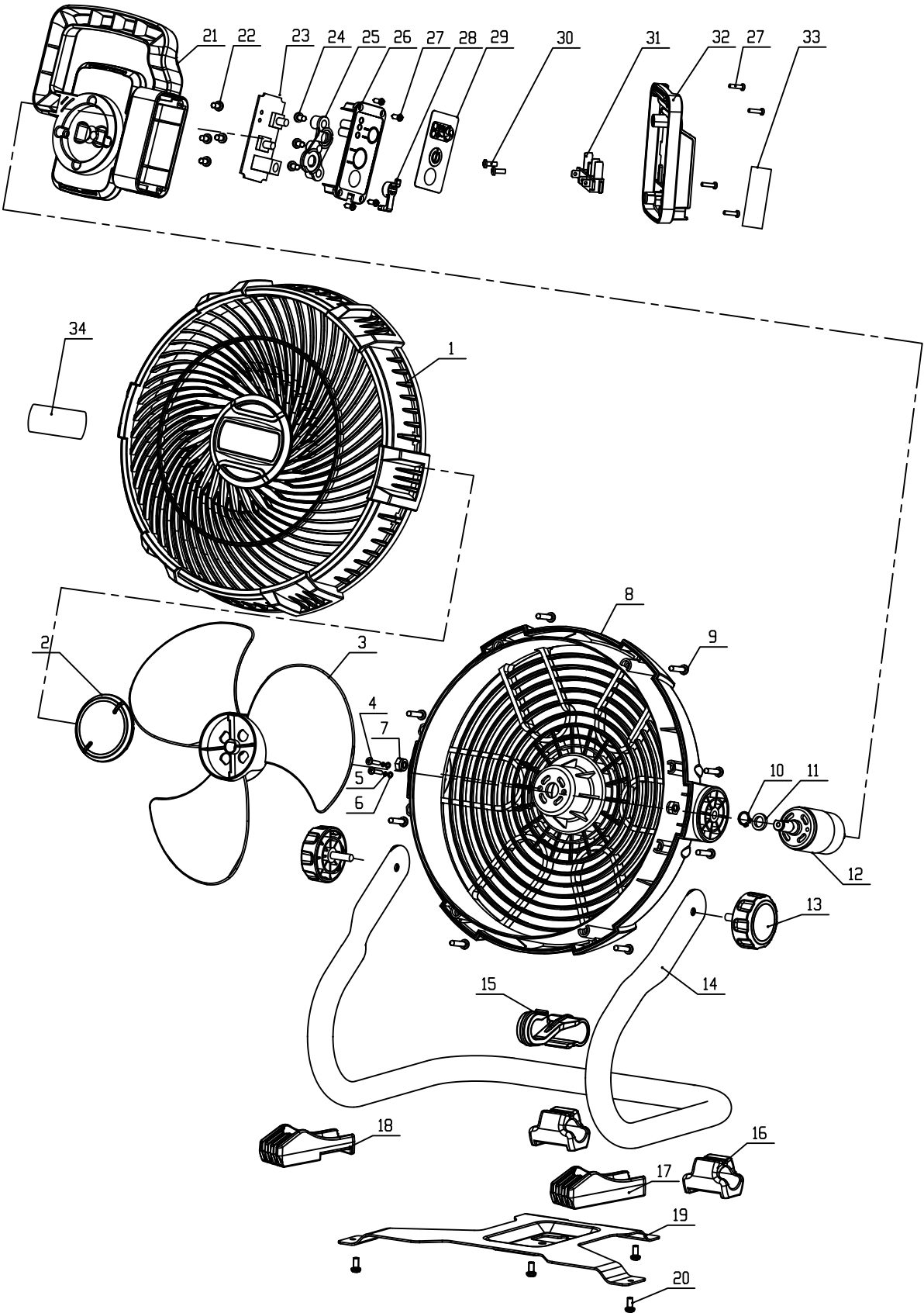
Storage

Store in a secure, dry place indoors out of the reach of children.

PARTS LIST

No	Description	Qty	No	Description	Qty
1	Front Fan Housing	1	18	Foot	1
2	Fan Cover	1	19	Baseplate	1
3	Fan	1	20	Rivet	4
4	Screw	2	21	Battery Seat	1
5	Spring Cushion	2	22	Screw	4
6	Washer	2	23	PCB	1
7	Nut	2	24	Screw	3
8	Back Fan Housing	1	25	Key Limit Plate	1
9	Screw	8	26	Panel	1
10	Washer	1	27	Screw	8
11	Washer	1	28	Plug	1
12	Motor	1	29	Label	1
13	Knob	2	30	Screw	2
14	Bracket	1	31	Battery Pinboard	1
15	Hook	1	32	Battery Transfer	1
16	Foot	2	33	Label	1
17	Foot	1	34	Label	1

SCHEMATIC DRAWING



REPLACEMENT PARTS

- For replacement parts and technical questions, please call Customer Service at 1-866-915-8626.
- Not all product components are available for replacement. The illustrations provided are a convenient reference to the location and position of parts in the assembly sequence.
- When ordering parts, the following information will be required: item description, item model number, item serial number/item lot date code, and the replacement part reference number.
- The distributor reserves the rights to make design changes and improvements to product lines and manuals without notice.

LIMITED WARRANTY

Limited Warranty

- Northern Tool and Equipment Company, Inc. (“We” or “Us”) warrants to the original purchaser only (“You” or “Your”) that the KLUTCH product purchased will be free from material defects in both materials and workmanship; normal wear and tear excepted, for a period of one year from date of purchase. The foregoing warranty is valid only if the installation and use of the product is strictly in accordance with product instructions. There are no other warranties, express or implied, including the warranty of merchantability or fitness for a particular purpose. If the product does not comply with this limited warranty, Your sole and exclusive remedy is that We will, at our sole option and within a commercially reasonable time, either replace the product or product component without charge to You or refund the purchase price (less shipping). This limited warranty is not transferable.

Limitations on the Warranty

- This limited warranty does not cover: (a) normal wear and tear; (b) damage through abuse, neglect, misuse, or as a result of any accident or in any other manner; (c) damage from misapplication, overloading, or improper installation; (d) improper maintenance and repair; and (e) product alteration in any manner by anyone other than Us with the sole exception of alterations made pursuant to product instructions and in a workmanlike manner.

Obligations of Purchaser

- You must retain Your product purchase receipt to verify date of purchase and that You are the original purchaser. To make a warranty claim, contact Us at 1-866-915-8626, identify the product by make and model number, and follow the claim instructions that will be provided. The product and the purchase receipt must be provided to Us in order to process Your warranty claim. Any returned product that is replaced or refunded by Us becomes our property. You will be responsible for return shipping costs or costs related to Your return visit to a retail store.

Remedy Limits

- Product replacement or a refund of the purchase price is Your sole remedy under this limited warranty or any other warranty related to the product. We shall not be liable for service or labor charges or damage to Your property incurred in removing or replacing the product; any damages, including, without limitation, damages to tangible personal property or personal injury, related to Your improper use, installation or maintenance of the product or product component; or any indirect, incidental or consequential damages of any kind for any reason.

LIMITED WARRANTY

Assumption of Risk

- You acknowledge and agree that any use of the product for any purpose other than the specified use (s) stated in the product instruction is at Your own risk.

Governing Law

- This limited warranty gives You specific legal rights, and You also may have other rights which vary from State to State. Some states do not allow limitations or exclusions on implied warranties or incidental or consequential damages. So, the above limitations may not apply to You. This limited warranty is governed by the laws of the State of Minnesota, without regard to rules pertaining to conflicts of law. The state courts located in Dakota County, Minnesota shall have exclusive jurisdiction.

KLUTCH[®]

Distributed by:

Northern Tool & Equipment Company, Inc.

Burnsville, Minnesota 55306

www.northerntool.com

Made in China