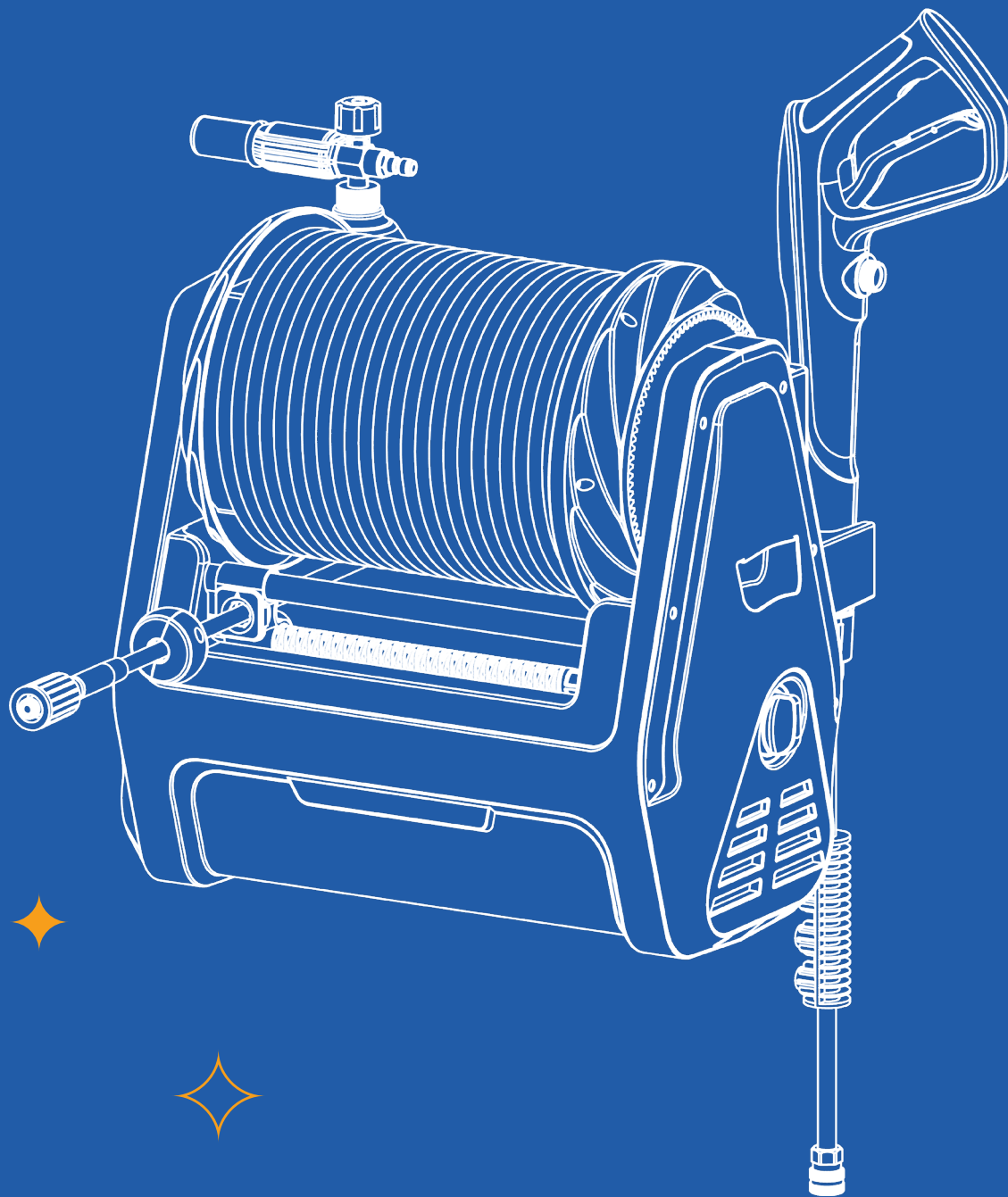


GRANDFALLS PRESSURE WASHER

MODEL HP135-G30A/HP135-G30A-SLI
HP135-G30B/HP135-G30B-SLI



◆ Read before use & keep for future reference. ◆

For more information visit giraffetools.com or contact our customer service by sending an email to service@giraffetools.com



GiRAFFE TOOLS

MANUAL CONTENTS

Important Safety Instructions --	03	Assembly -----	14
Product Description -----	09	Replace High Pressure Hoses -----	16
Product Information -----	10	After Use Tips -----	18
What's Included -----	11	Problems Solution -----	20
Open-Box Check -----	12	Warranty -----	21
Tools Requirement -----	12	Recommended Products -----	23
Fix Wall Base -----	12		

IMPORTANT SAFETY INSTRUCTIONS

✦ All Operators Must Read These Instructions Before Use ✦

WARNING! This indicates a hazardous situation, which, if not avoided, could result in death or serious injury.

CAUTION! This indicates a hazardous situation, which, if not avoided, could result in minor or moderate injury.

DANGER! This indicates a hazardous situation, which, if not followed, will result in death or serious injury.

✦ General Safety ✦

WARNING! This appliance is not intended for use by children or by unassisted, unsupervised persons whose physical, sensory, or mental capabilities prevent them from using it safely. Children should be supervised to ensure that they do not play with the appliance. Before starting up your machine, please check it carefully for any defects. If you find any, do not start up your machine. Contact Giraffe Tools via service@giraffetools.com or call the Giraffe Tools customer service center at **+1 (833)583-0881 (9 am - 5 pm EST)**.

WARNING! When using the pressure washer, basic safety precautions should always be followed to reduce the risk of fire, electric shock, and personal injury. These include:

- **Know your product**—Know how to stop the machine and bleed pressure quickly. Thoroughly familiarize yourself with the controls.
- **Keep bystanders away**—All visitors and pets should be kept a safe distance away from the work area.
- **Use the right product**—Do not use this machine for any job except that for which it is intended.

- **Dress properly**—Do not wear loose clothing or jewelry. They can get caught in moving parts. Protective rubber gloves and non-slip footwear are recommended when working outdoors.
- **CAUTION!**—Exercise caution to avoid slipping or falling. Wear protective footwear that will protect your feet and improve your footing on slippery surfaces.
- **Stay alert**—Watch what you are doing. Use common sense. Do not operate the pressure washer when you are tired or under the influence of alcohol or drugs.
- **Do not overreach**—Keep proper footing and balance at all times.
- **Avoid unintentional starting**—Do not carry a plugged-in machine with your finger on the trigger. Make sure the switch is off before plugging in the machine.
- **Do not abuse the cord—NEVER** carry the machine by the cord or yank the cord to disconnect it from the receptacle. Keep the cord away from heat, oil, and sharp edges.
- **Use safety glasses**—Also use safety footwear, snug-fitting clothing, protective gloves, hearing and head protection.
- **Check the water temperature**—This pressure washer is not meant to pump hot water. **NEVER** connect it to a hot water supply as it will significantly reduce the life of the pump.
- **Store indoors—NEVER** store the pressure washer outdoors or where it could freeze. The pump could be seriously damaged.
- **Ground Fault Circuit Interrupter (GFCI)**—Protection should be provided on the circuits or outlets to be used for this pressure washer. Receptacles are available having built-in GFCI protection and may be used for this measure of safety.
- **Inspect electrical cables**—The insulation of the power cord should be perfectly intact. If the power cord is damaged or shows any signs of wear or tear, do not use the pressure washer. Contact Giraffe Tools via service@giraffetools.com or call the Giraffe Tools customer service center at **+1 (833)583-0881 (9 am - 5 pm EST)**.

WARNING! Do not use this appliance without reading this instruction manual.

WARNING! The use of other incorrect cleaning agents or chemicals may adversely affect the safety of the appliance.

WARNING! Do not use the appliance within range of persons unless they are wearing protective clothing.

WARNING! High-pressure jets can be dangerous if subject to misuse. The jet must not be directed at persons, pets, live electrical equipment, or the appliance itself.

- Do not direct the jet at yourself or others to clean clothes or footwear.
- **Risk of explosion**—Do not spray flammable liquids.
- **Disconnect the tool**—Disconnect from the electrical power supply before performing any maintenance task.
- **Keep children away**—This electric power washer must not be used by children or untrained personnel.
- To ensure appliance safety, use only original replacement parts from the manufacturer or those approved by the manufacturer.

WARNING! Water that has flowed through the machine is considered to be non-potable.

WARNING! During cleaning, maintenance, or when replacing parts, the machine must be disconnected from its power source by removing the plug from the socket outlet.

WARNING! Do not use the appliance within range of persons unless they are wearing protective clothing.

WARNING! High-pressure hoses, fittings, and couplings are important for the safe operation of the appliance. Use suitable hoses, fittings, and couplings recommended by the manufacturer.

- **Check for damaged parts**—Do not use the appliance if the supply cord or other important parts of the appliance are damaged (e.g. pump, safety devices, high-pressure hoses, trigger gun).

WARNING! If an extension cord is used, the plug and socket must be of watertight construction.

WARNING! Inadequate extension cords can be dangerous.

- This high-pressure washer **MUST NOT** be used at temperatures below 32°F (0°C).

WARNING! Power cords on drums should always be completely unwound to prevent the cord from overheating.

- Power cord connections should be kept dry and off the ground.
- If the power cord is damaged, do not use the appliance. Contact Giraffe Tools via service@giraffetools.com or call the Giraffe Tools customer service center at **+1 (833)583-0881 (9 am - 5 pm EST)**.
- Keep the machine on a stable, flat surface during handling, transportation, and storage. A sudden overturn of the machine can cause bodily injury.
- In the event of an accident or breakdown, switch off the machine immediately. (If contact with detergent occurs, rinse with an abundance of clean water.)



Electrical Safety



ATTENTION: If there are problems with the electrical MAINS, short voltage drops may appear when starting the equipment. This can, in turn, influence other equipment (e.g. cause the machine to not work). (If you require assistance, contact your local supply authority for further information.)

WARNING! Electrical Shock Hazard – Before starting up, please check it carefully for any defects. If you find any, do not start up your machine and contact Giraffe Tools.

The following should be observed when connecting the pressure washer to the electric supply:

- The electric supply connection should be performed by a qualified person.
- The electric supply to this appliance includes a device that will interrupt the earth circuit (GFCI).

IMPORTANT: Only use water without any impurities. If there is a risk of running sand into the inlet water, an additional filter should be installed.

✦ Safety Devices ✦

The unload valve can reduce pressure if it exceeds preset values. The spray gun features a locking device. When the lock is activated, the spray gun cannot be operated.

1. Thermal sensor — A thermal sensor protects the motor against overloading. The machine will restart after a few minutes when the thermal sensor has cooled.

2. Ground fault circuit interrupter (GFCI) protection — A GFCI should be provided on the circuit(s) or outlet(s) to be used for the pressure washer. Receptacles are available having built-in GFCI protection and may be used for this measure of safety.

3. It is not recommended to use an extension cord with this pressure washer. The unit comes standard with a 6 ft (1.8m) GFCI power cable. Using an extension cord may cause a drop in line voltage resulting in loss of power and overheating.

4. Do not abuse the cord. Never pull the pressure washer by the cord or yank the cord to disconnect it from the receptacle. Keep the cord away from heat, oil, and sharp edges.



WARNING

Electric shock may cause SEVERE INJURY or DEATH. Heed these warnings:

- Do not allow any part of the electric pressure washer to make contact with water while it is in operation. If the appliance becomes wet while turned off, wipe dry before starting.
- Suggest not use an extension cord. The pressure washer comes equipped with a 6 ft power cable.
- Do not touch the appliance or its plug with wet hands. Wearing rubber boots offers some protection.



Risk of Electrocutation



- Inspect the cord before using it.
- Do not use it if the cord is damaged.
- Keep all connections dry and off the ground.
- Do not touch the plug with wet hands.
- Keep the cord away from heat and sharp edges.
- Do not spray electrical apparatus and wiring.



Risk of Explosion



- Do not spray flammable liquids.
- Do not use acids, bases, solvents, or any flammable material in this product. These substances can cause physical injuries to the operator and irreversible damage to the machine.

✦ Additional Safety Instructions ✦

- High-pressure: keep clear of nozzle.
- Injection hazard: equipment can cause serious injury if the spray penetrates the skin.
- Do not point the gun at anyone or any part of the body.
- In case of skin penetration, seek medical aid immediately.
- Before servicing, cleaning, or removing any parts, shut off the power and relieve pressure.
- This machine is not suitable for connection to the potable water mains.

PRODUCTION DESCRIPTION

✦ Purpose ✦

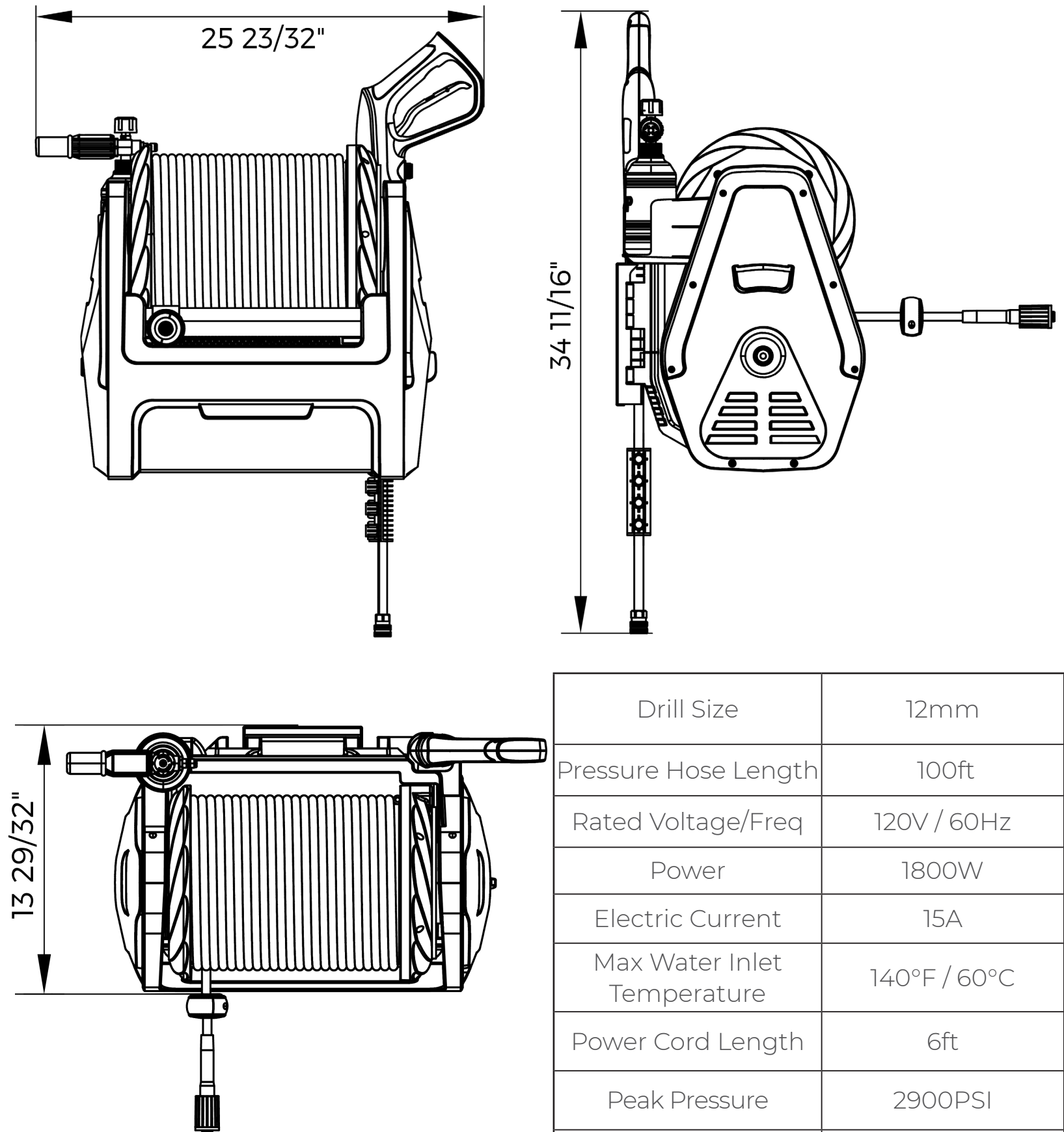
- This high-electric power washer is intended for residential use to clean vehicles, machines, buildings, facades, etc.

✦ Areas of Application ✦

- Never use the machine in potentially explosive areas under any circumstances!
- The operating temperature must be between **32°F (0°C) and 140°F (60°C)**.
- Do not cover or modify the spray wand or the spray nozzles in any way.
- The high-pressure electric power washer is designed to be used with cold or lukewarm water; higher temperatures can damage the pump.
- Do not use water that is dirty, gritty, or contains any chemical products, as these could impair operation and shorten the life of the machine.

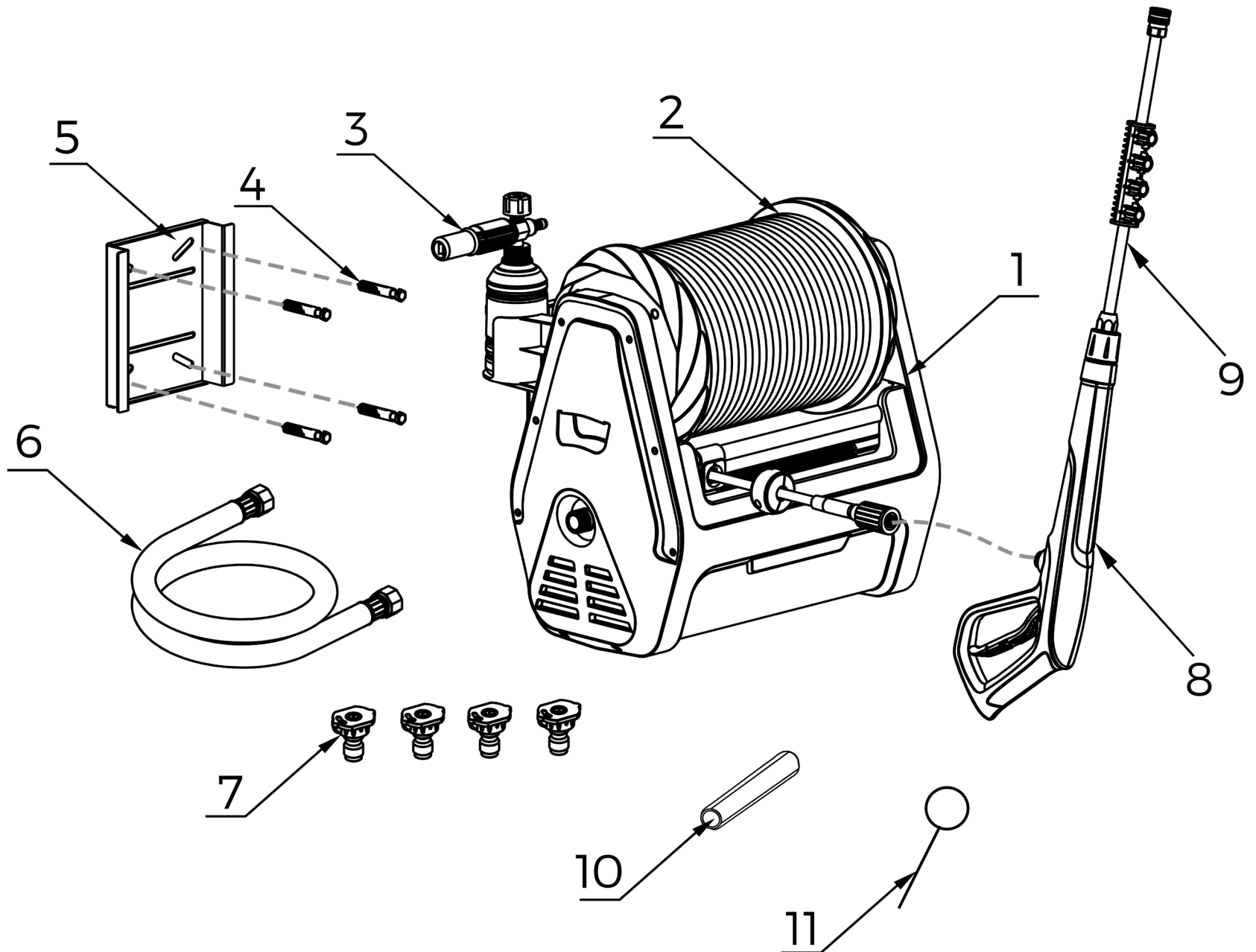
PRODUCTION INFORMATION

Thanks for choosing Giraffe Tools. Before using the pressure washer, please read the owner's manual and safety instructions carefully. Compare the illustration below to the electric pressure washer to familiarize yourself with the installation data for this product.



Drill Size	12mm
Pressure Hose Length	100ft
Rated Voltage/Freq	120V / 60Hz
Power	1800W
Electric Current	15A
Max Water Inlet Temperature	140°F / 60°C
Power Cord Length	6ft
Peak Pressure	2900PSI
Rated Max Pressure	2100PSI
Max Flow	2.2GPM
Rated Flow	1.2GPM

WHAT'S INCLUDED



1. Electric Pressure Washer
2. 100ft Replaceable Pressure Hoses
3. Metal Foam Pot
4. Four (4) M8-60 Expansion Bolts, M8-70 Hexagon Socket Self-tapping Screws
5. Wall Fixed Base
6. Lead-in Hose
7. Four (4) Quick-Connect Nozzles (0°, 15°, 25°, 40°)
8. Trigger Gun
9. Spray Wand
10. Hub Pin
11. Needle Clean-out Tool

OPEN-BOX CHECK

1. Confirm that the above parts are included in your package.
2. Check for any scratches or damage done to the product.
3. If your product is missing parts or has visible damage upon receipt, please contact the Giraffe Tools customer service team via service@giraffetools.com or call the Giraffe Tools customer service center at **+1 (833)583-0881 (9 am - 5 pm EST)**.

Note: If you notice an initial aroma upon opening your package, this is due to the sealed environment in which the package traveled overseas.

TOOLS REQUIREMENT

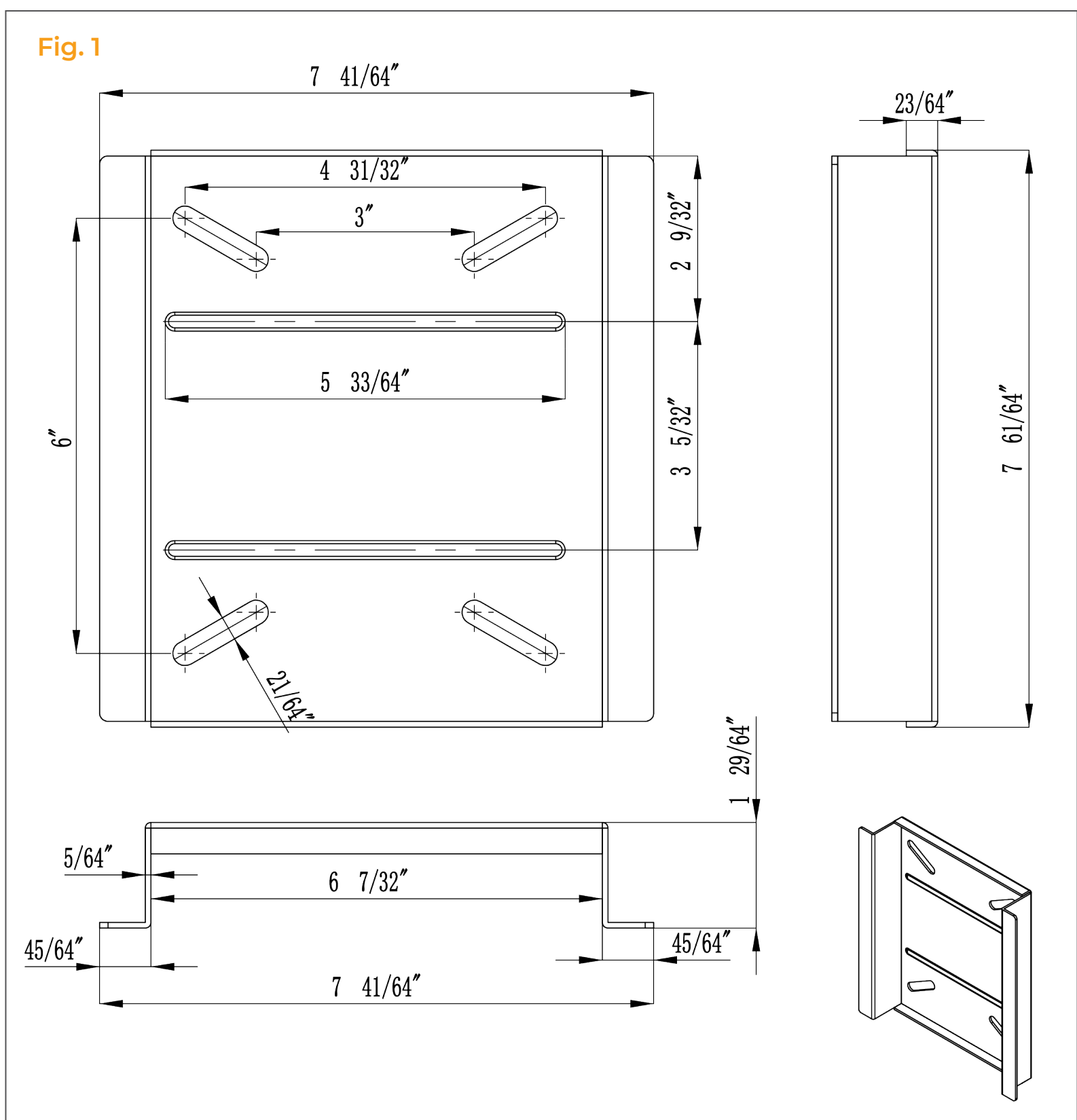
- Electric drill
- Hammer
- Wrench
- Screwdriver

FIX WALL BASE

1. Chosen a location for your pressure hose reel, follow the figure 1 of the wall base template to mark the location of 4 holes for drilling, or place the wall base itself up to the wall to mark the location of the screw holes for drilling.

Note: Please install the machine at a height of approximately 24-32in above the ground to maximize the function of auto-retract.

2. Use a **1/2" or 12mm** diameter drill bit to drill the 4 marked holes. Hole depth is important. You may choose to measure a 2.6in depth on the drill bit itself and mark it with a small piece of tape so you know when you've drilled the appropriate depth into the wall. Using a correctly sized drill bit will ensure a secure installation of the wall base. To make sure the wall anchors have a secure fit, you may choose to drill a slightly smaller hole first, then size up if it proves too small for the wall anchor.
3. Hammer the wall anchors into the 4 drilled holes.
4. Place the base to the wall, aligning the wall anchors with the designated holes in the wall base. Screw in the screws with either a socket set or a Phillips screwdriver.



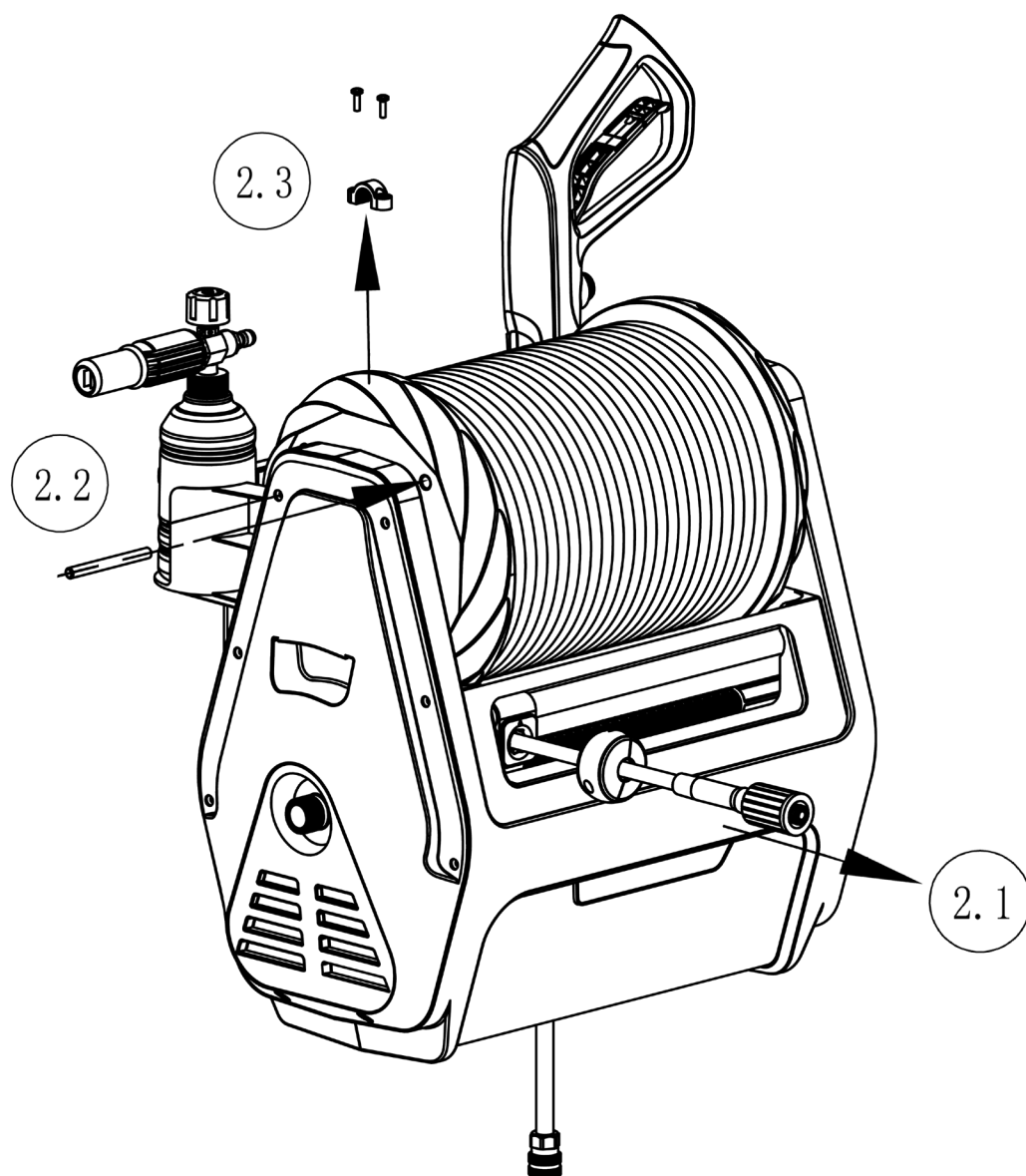
REPLACE HIGH PRESSURE HOSES

◆ Step 1: Preparation ◆

- 1.1 Turn off the water faucet and turn off the power switch.
- 1.2 Trigger the gun to release pressure inside the item.
- 1.3 Disconnect the high pressure hose and the high pressure gun, and place the pressure gun in the storage of the pressure washer.

◆ Step 2: Pull Out the High Pressure Hose ◆

- 2.1 Pull out the entire high-pressure hoses.
- 2.2 Use the hub pin to hold the reel, refer to arrow 2.2.
- 2.3 Use a suitable screwdriver to remove the pressure hose hoop, refer to arrow 2.3.



◆ Step 3: Replace the High Pressure Hose ◆

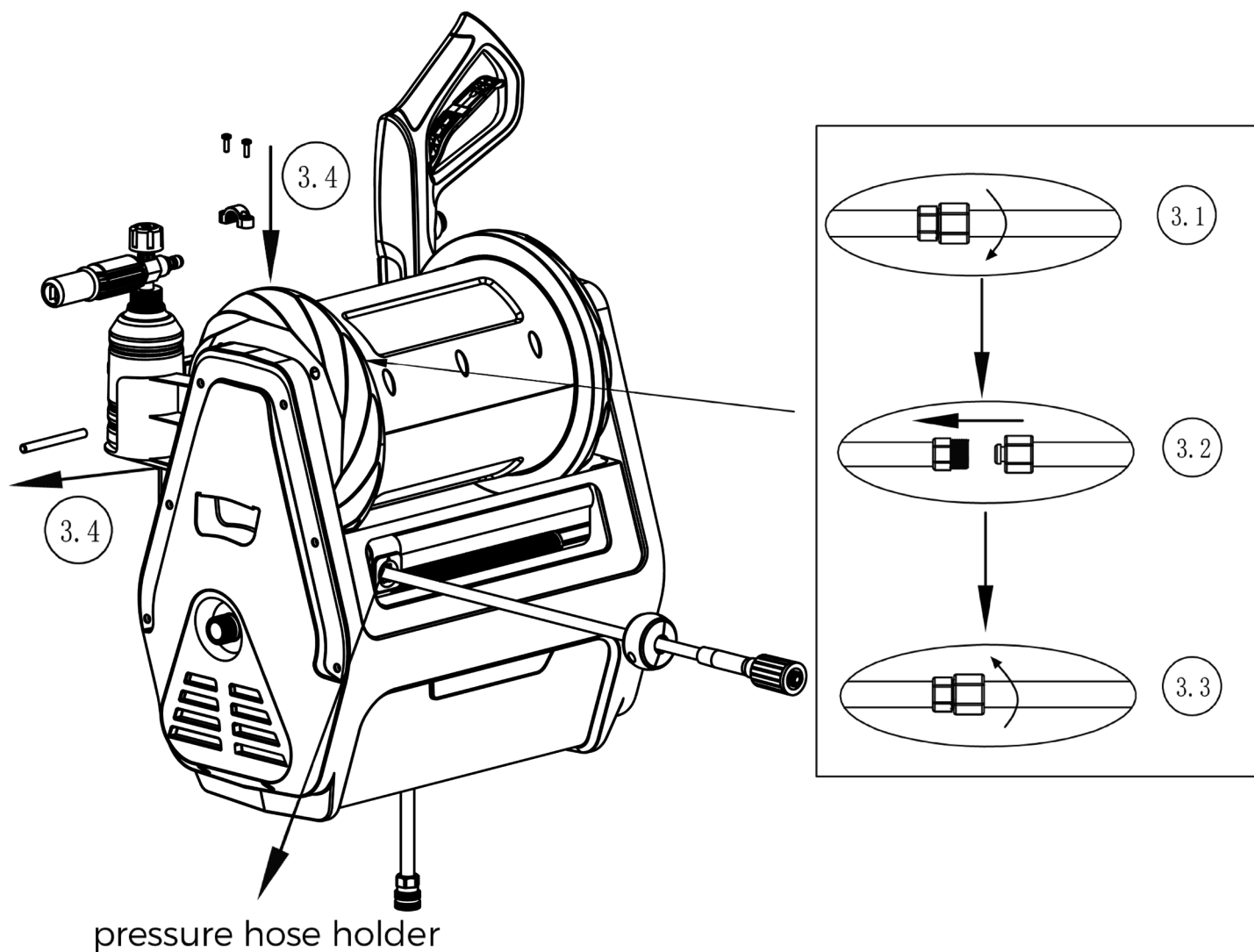
3.1 Use two wrenches to disconnect the high pressure hose in the opposite direction. Refer to arrow 3.1.

3.2 Insert the new high pressure hose through the pressure hose holder.

3.3 Connect the new high-pressure hose to the shorter pipe fitting of the machine.

3.4 Use a screwdriver to tighten the pressure hose hoop. Pull out the hub pin, and pull the high pressure hose by hand to make it retract slowly, and the replacement of high pressure hose is completed.

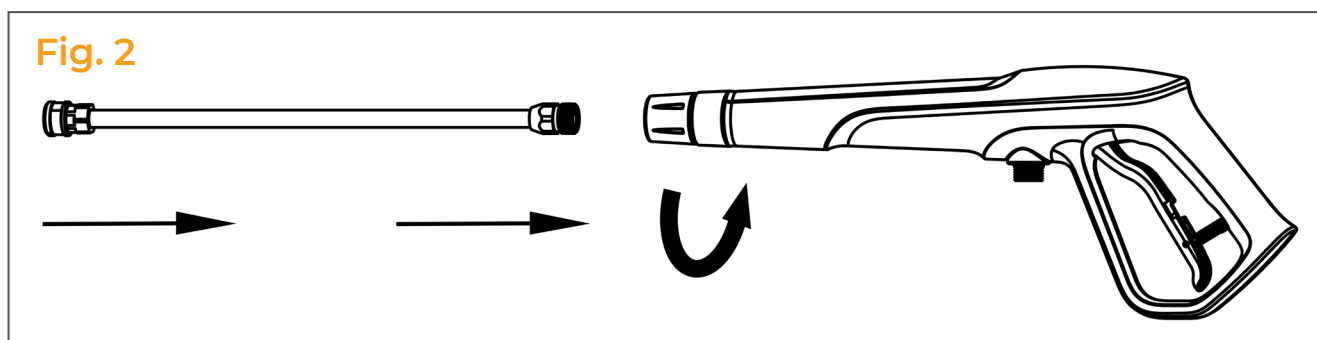
Note: DO NOT directly let the high pressure hose automatically retract, the huge retraction shock will damage to the machine and make it useless.



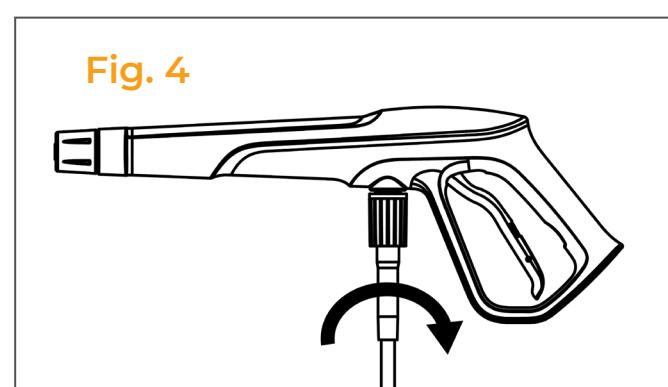
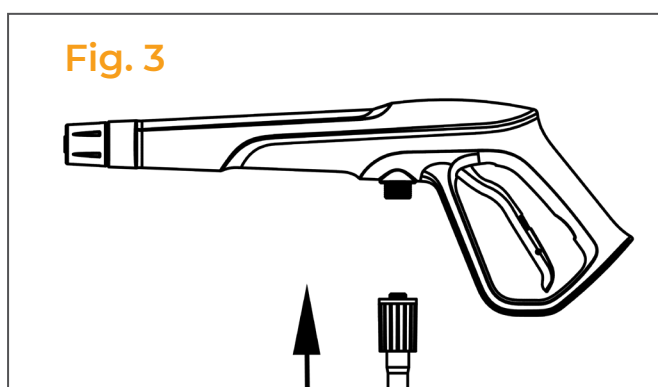
ASSEMBLY

ATTENTION: During the use of the machine, please do not work continuously for more than **one hour** to avoid the situation that the pump temperature is too high and causes the machine not to work. If the machine does not work, please turn the machine off cool down, and turn it on again, if you can not solve it, please send a video to service@giraffetools.com, we will reply and solve your problem ASAP.

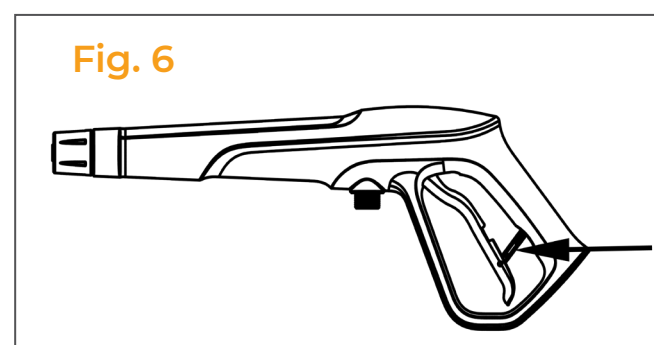
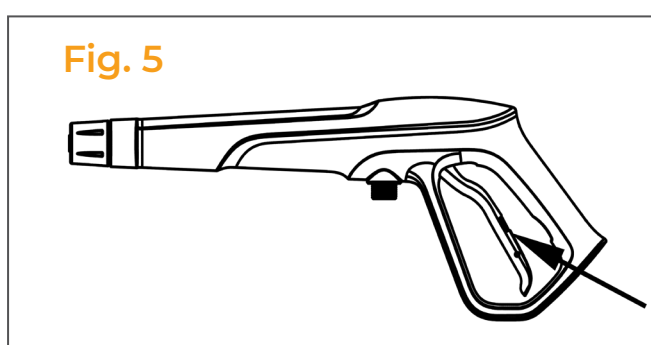
1. Fit the spray wand into the trigger gun and rotate the collar until the two parts are completely locked (Fig. 2).



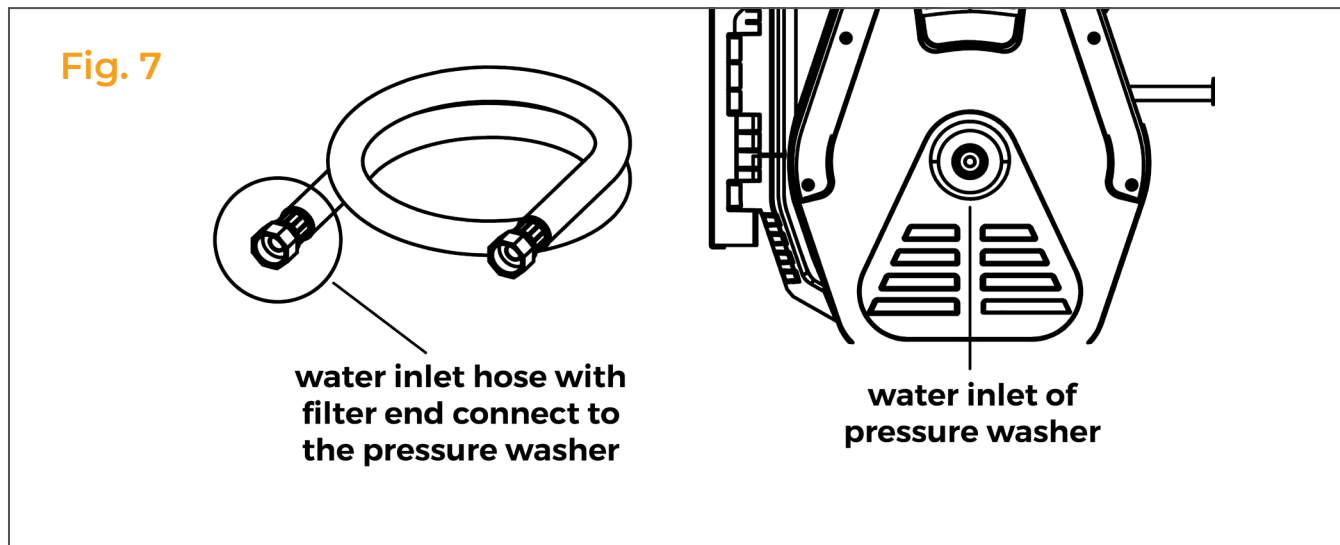
2. Fixing the matching end of the hose firmly into the gun handle (Fig. 3&4). Tighten the connector by hand only. Loosen the high-pressure hose to avoid twisting.



3. Push the trigger lock button, and ensure the trigger is in the "OFF" position (Fig. 5&6).



4. Connect the water inlet hose (end with filter) to the water inlet end of the pressure washer by hand and tighten it by hand (Please make sure that there is no debris blockage on the filter side of the water inlet hose) (Fig. 7).

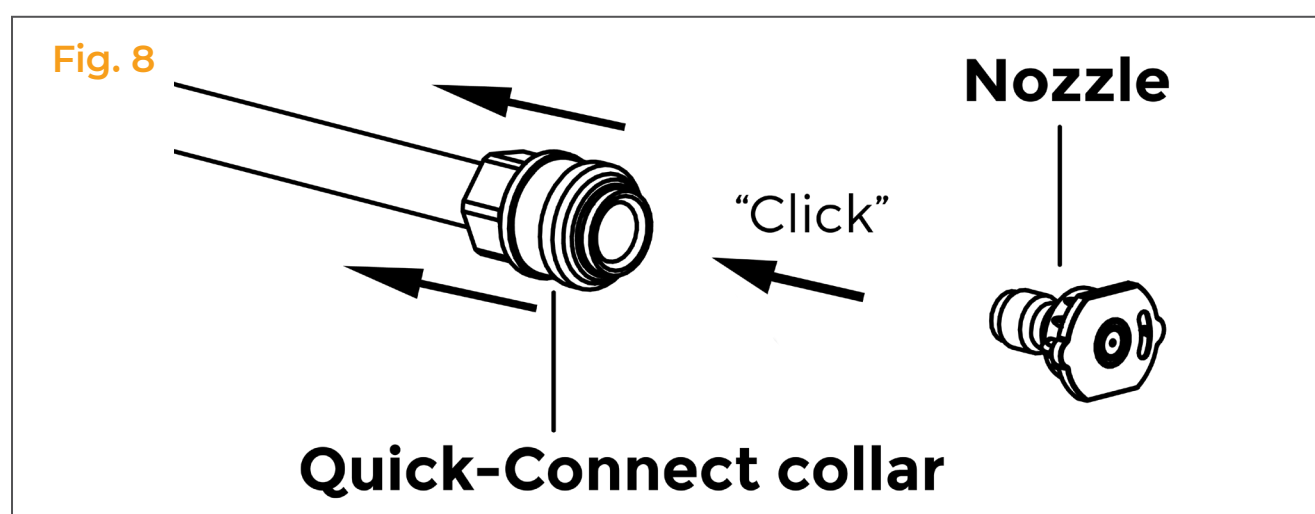


CAUTION: Please do not use tools such as a wrench to tighten it. That will damage the machine.

5. Turn the water supply on, making sure that the tap is fully open. Release the trigger lock.

CAUTION: We recommend keeping the inlet water pressure less than 0.8MPa (116 PSI) during the use of the pressure washer to prevent the machine from not working or the inlet hose from blowing up during usage.

6. Trigger the gun to expel the air in the unit before it's working.
7. Turn the ON/OFF switch to the "OFF" position.
8. Put the plug into the socket of the main electric power.
9. Choose the appropriate size nozzle for your work. Use your hands to connect the quick-connect collar slightly downward, the required nozzle will be stuck in the quick-connect collar, release your hands and hear the sound of the click, indicating that the nozzle is successfully connected (Fig. 8).



AFTER USE TIPS



How to Retract

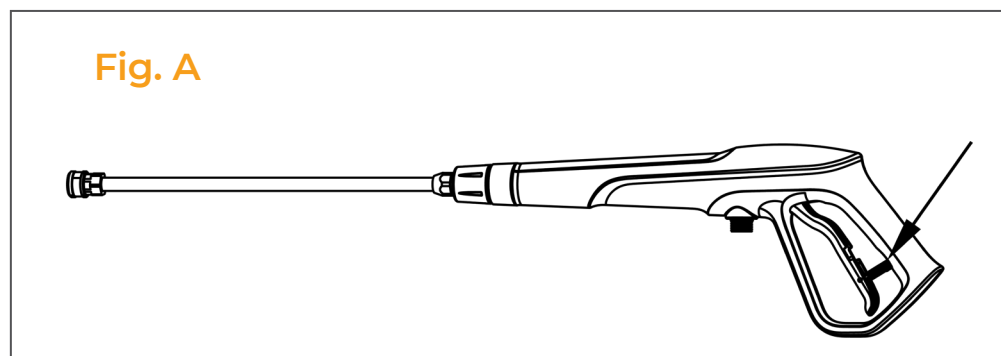


In order to enhance your experience with Giraffe Tools and extend the life of the pressure washer.

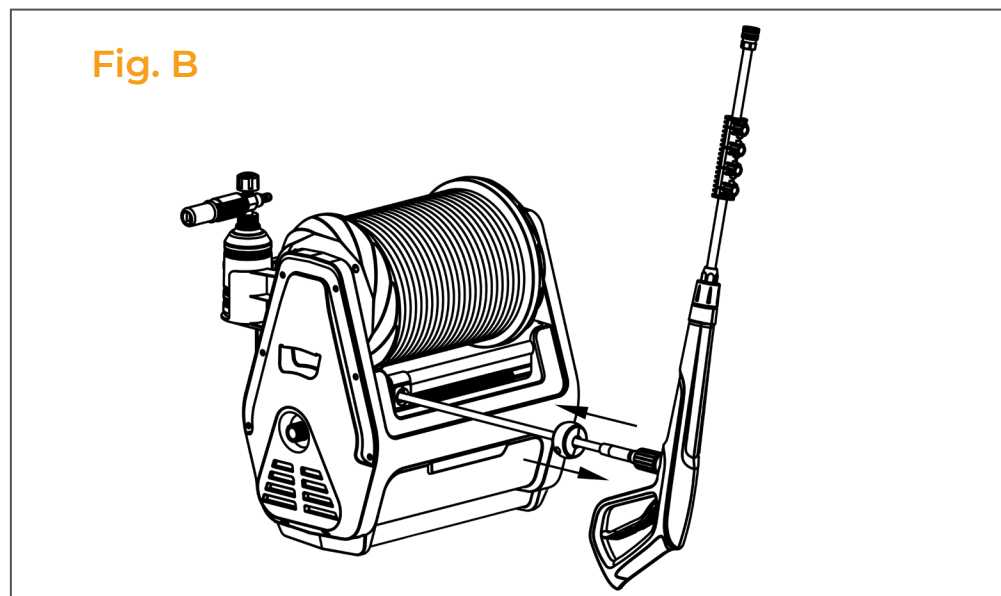
First, when the cleaning task is done, please turn to the state of “OFF”, and then turn off the water supply.

Second, when the high-pressure hose is filled with water after use, its automatic retracting

function will be greatly affected. **Please press the handle first to release pressure and drain the excess water.** Figure A for your reference.



Third, after releasing the pressure, **please hold the pressure gun and pull the pressure hose a little out, and then, retract the pressure hose to the whole reel.** Figure B for your Reference.



Last, store your pressure gun.



Winterizing + Long-Term



1. Switch to the state of “OFF”.
2. Turn off the water supply tap.

3. Remove the plug from the socket.
4. Discharge the residual pressure from the gun until all the water has come out of the nozzle, and clean the nozzle with a needle clean-out tool.
5. Drain and wash out at the end of the working session.
6. Engage the gun safety catch.

CAUTION! Always store your pressure washer in a location where the temperature will not fall below 32°F (0°C). The pump in this machine is susceptible to permanent damage if it freezes. **FREEZE DAMAGE IS NOT COVERED BY THE WARRANTY.**

- Store the pressure washer indoors in a dry, covered area where it is not subject to adverse weather conditions.
- It is important to store this product in a frost-free area.
- Always empty water from all hoses, and the pump before storing. If you must store your pressure washer in a location where the temperature falls below 32°F (0°C), you can minimize the chance of damage to your machine by utilizing the following procedure:
 - Disconnect all water connections.
 - Turn on the machine for a few seconds until the remaining water in the pump exits. Turn it off immediately.
 - Do not allow the high-pressure hose to become kinked.
 - Store the machine and accessories in a room that does not reach freezing temperatures.
 - Do not store near a furnace or other sources of heat that may dry out the pump seals. Operate the pressure washer with a non-corrosive/non-toxic anti-freeze, a pump saver, or a pump protector before storing it for the winter.

WARNING! Always store your pressure washer in a location where the temperature will not fall below 32°F (0°C). The pump in this machine is susceptible to permanent damage if it freezes. **FREEZE DAMAGE IS NOT COVERED BY THE WARRANTY.**

CAUTION! To better maintain the performance of the pressure washer, please dismantle the pressure washer and store it indoors during winter.

CAUTION! When you use it again, please make sure to check whether there is any icing in the water hose first. If it is partially frozen, do not pull out the high-pressure hose, please wait for it to melt before using it normally.

PROBLEMS SOLUTION

PROBLEM	PROBABLE CAUSE	SOLUTION
Machine refuses to start	<ul style="list-style-type: none"> ● Power failure. ● Machine not plugged into a working receptacle. ● Defective socket. ● Fuse has blown ● Defective extension cord. 	<ul style="list-style-type: none"> ● Check to make sure machine is plugged into a working outlet. ● Check the power cord and reset the GFCI. ● Try a different outlet. ● Replace fuse. Switch off any other machines that are using the same circuit. ● Try the unit without an extension cord.
Machine starts, but no water comes out	<ul style="list-style-type: none"> ● Pump/hoses or accessories frozen. ● No water supply. ● Nozzle blocked. 	<ul style="list-style-type: none"> ● Wait for pump/hoses or accessories to thaw. ● Connect inlet water. ● Clean the nozzle.
Machine often starts and stops by itself	<ul style="list-style-type: none"> ● Pump/spray gun is leaking. ● Trigger mechanism is broken. 	<ul style="list-style-type: none"> ● Please contact Giraffe Tools customer service team via service@giraffetools.com or call the Giraffe Tools customer service center at +1 (833)583-0881 (9 am - 5 pm EST).
Pressure drops during use	<ul style="list-style-type: none"> ● Pump sucking air. ● Valves dirty, worn out, or stuck. ● Pump seals worn out. ● Water intake from external tank. ● Insufficient water supply to the pump inlet plumbing system. ● Intake water too hot. 	<ul style="list-style-type: none"> ● Check the hoses and connections are airtight. ● Clean or replace valves/seals. ● Connect appliance to the mains water supply. ● Clean the nozzle. ● Reduce temperature.

Water leakage	<ul style="list-style-type: none"> ● Seals worn. ● Safety valve tripped and discharging. ● Water leakage from the water inlet. 	<ul style="list-style-type: none"> ● Please contact Giraffe Tools customer service team via service@giraffetools.com or call the Giraffe Tools customer service center at +1 (833)583-0881 (9 am - 5 pm EST).
Oil leakage	<ul style="list-style-type: none"> ● Seals worn. 	<ul style="list-style-type: none"> ● Please contact Giraffe Tools customer service team via service@giraffetools.com or call the Giraffe Tools customer service center at +1 (833)583-0881 (9 am - 5 pm EST).
Appliance works intermittently	Safety valve soften or nozzle clogged.	Clean the nozzle or Giraffe Tools customer service team via service@giraffetools.com or call the Giraffe Tools customer service center at +1 (833)583-0881 (9 am - 5 pm EST).

WARRANTY

At Giraffe Tools, we conduct rigorous testing on every machine before it leaves the factory and perform a lifetime test on every thousand machines to ensure they will withstand many years of use beyond the warranty period.

In addition to our thorough testing, we offer a **24-month warranty** on all original Giraffe Tools new products. The following specifics apply:

1. Giraffe Tools warrants its products against defects in parts and materials for a period of 24 months from the original purchase date. Please note that this warranty does not

apply to **products acquired second hand**.

2. All warranty periods commence on the date of purchase and are non-transferable.
3. The warranty is limited to the provision of a replacement or refund free of charge within the specified period, provided that the above conditions are met, and the original proof of purchase is presented.
4. For quality-related warranty claims, items will be replaced with a new item of equal value when available. In situations where a replacement is not available or preferred, Giraffe Tools will offer a full refund.
5. Warranties on all replacements follow the same 24-month warranty time frame as the original defective item. Warranties on fully refunded products will be voided after the refund is released.

Process:

- Buyers must provide sufficient proof of purchase.
- Giraffe Tools must document what happens when buyers troubleshoot the product.
- Visible proof depicting the defect, such as pictures or videos, is required.
- It may be necessary to return an item for quality inspection.
- For defective items that Giraffe Tools needs to have returned, warranty on those replacements are voided if the wrong item is returned to Giraffe Tools or if the defective item is not returned.

Valid proof of purchase:

- Order number from online purchases made through Giraffe Tools or Giraffe Tools's authorized resellers.
- Sales invoice that shows a description of the product along with its price.

Not Covered Under Warranty:

- Purchases from unauthorized resellers.
- Alterations not carried out or authorized by Giraffe Tools authorized resellers.
- Products without sufficient proof of purchase.
- Second-hand products.
- Items that have expired their warranty period.
- Damage from misuse of products, including, but not limited to, improper storage, falls, extreme temperatures, water, and improper operation of devices.

RECOMMENDED PRODUCTS



5/8" Retractable Hose Reel, 60-115ft



1/2" Retractable Hose Reel, 78-155ft



Retractable Air Hose Reel



Grandfalls Pressure Washer



Grandfalls Pressure Washer, 65ft



Pressure Hoses 25-100ft



Hose Reel Cart 150-250ft



Hybrid Hose with Swivel Grip 2.5-100ft



Customized Garden Hose 6-100ft



Scan code to visit Giraffe Tools store on Amazon.com



Scan code to visit giraffetools.com



Scan code to join our facebook group

If you are interested in the above products, you can visit giraffetools.com or search for Giraffe Tools on Amazon



WE WILL DO THE HEAVY LIFTING



To purchase Giraffe Tools products and more, visit giraffetools.com or search for Giraffe Tools on Amazon.com.



Complete your registration online for a
100 DAYS WARRANTY EXTENSION



giraffetools.com



service@giraffetools.com



+1 (833)583-0881

(9am - 5pm EST)

