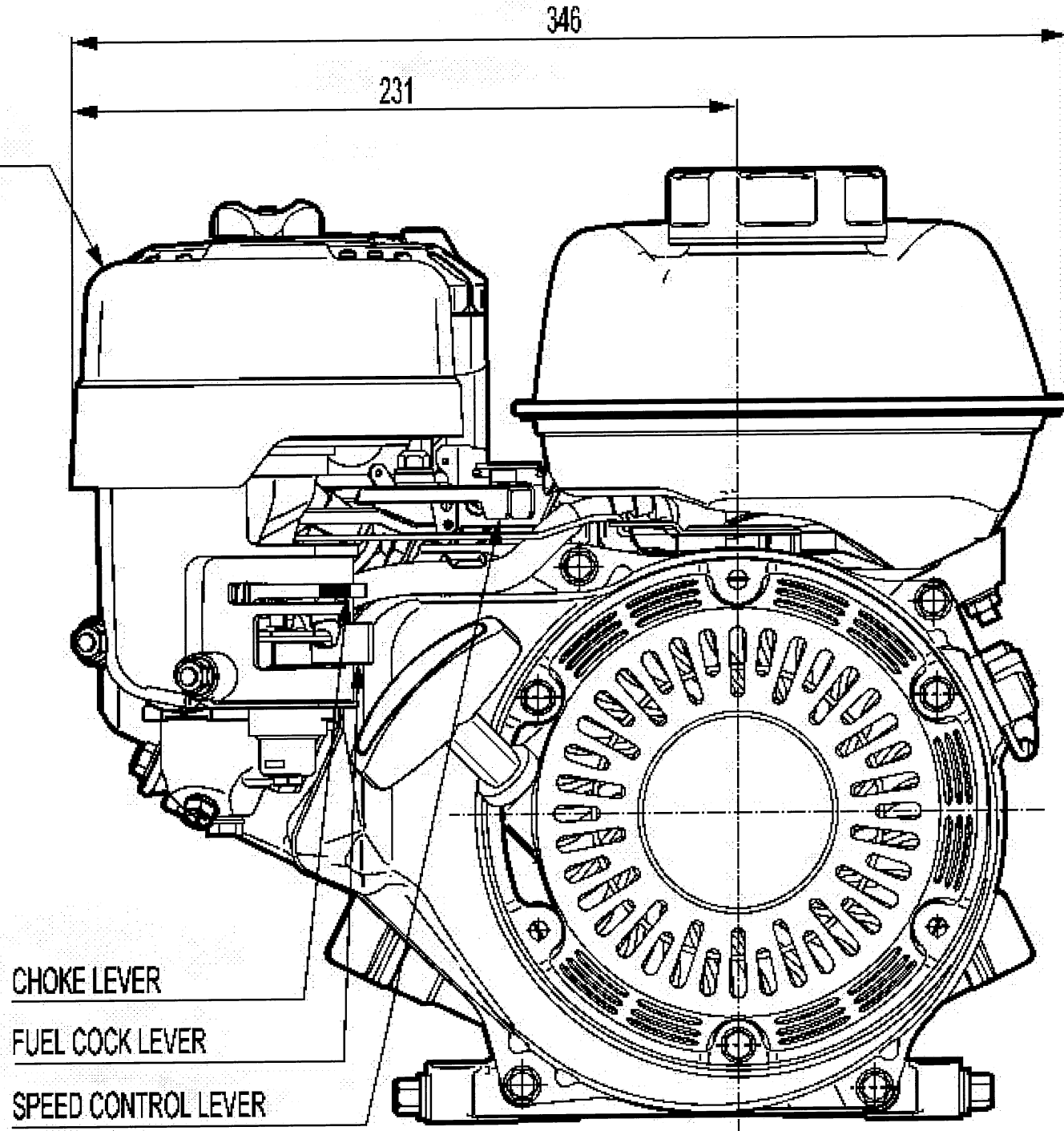
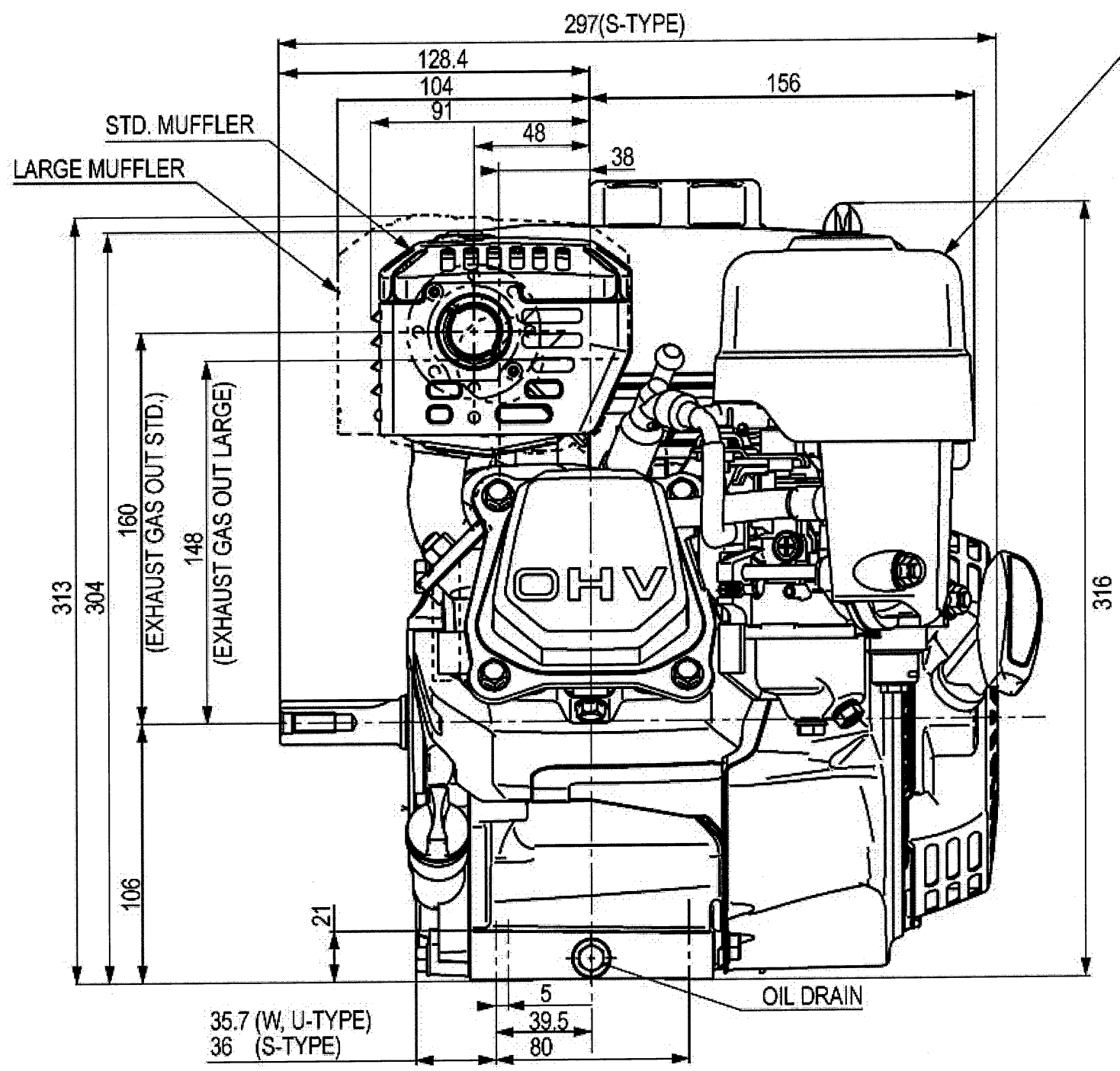
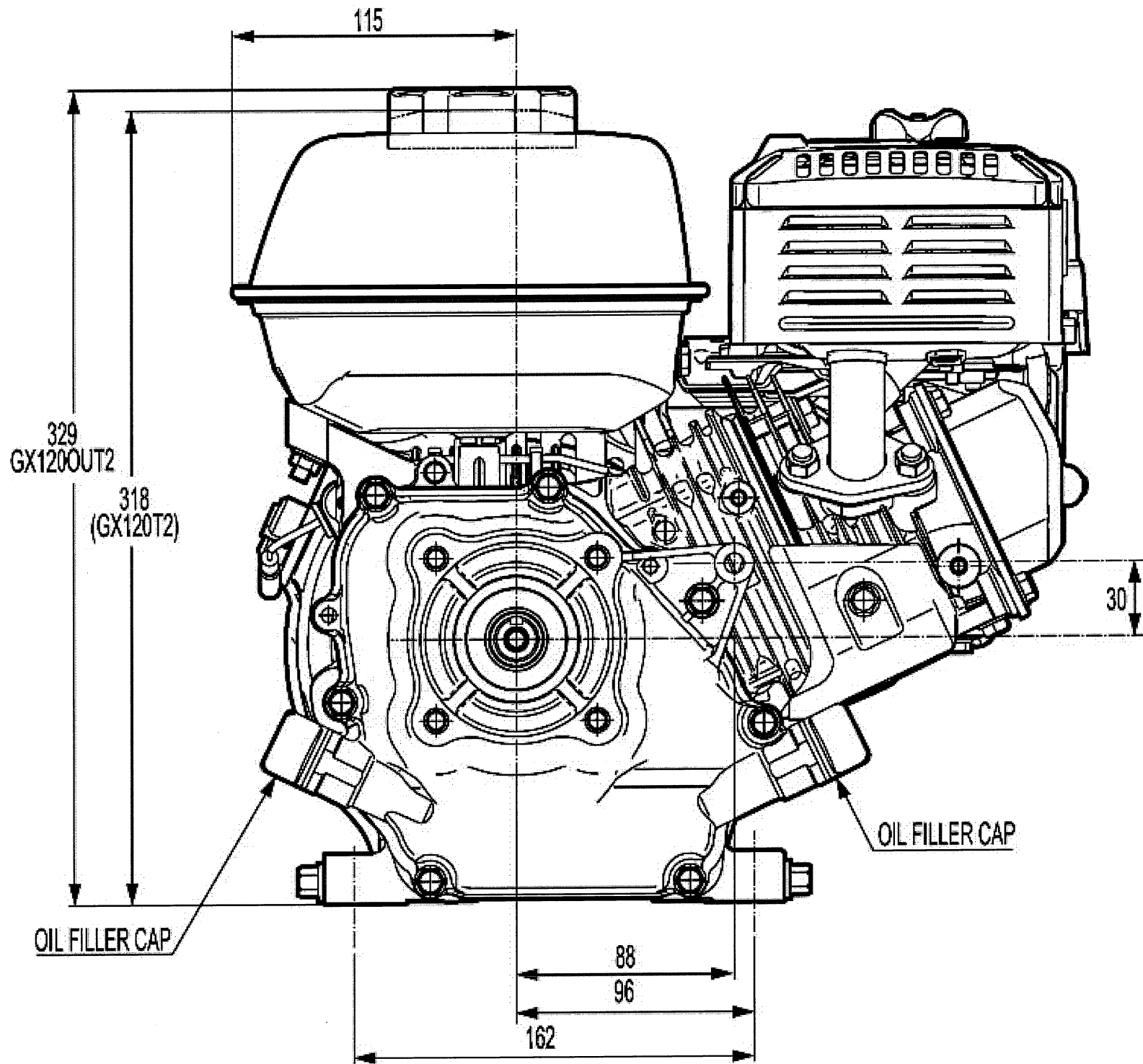


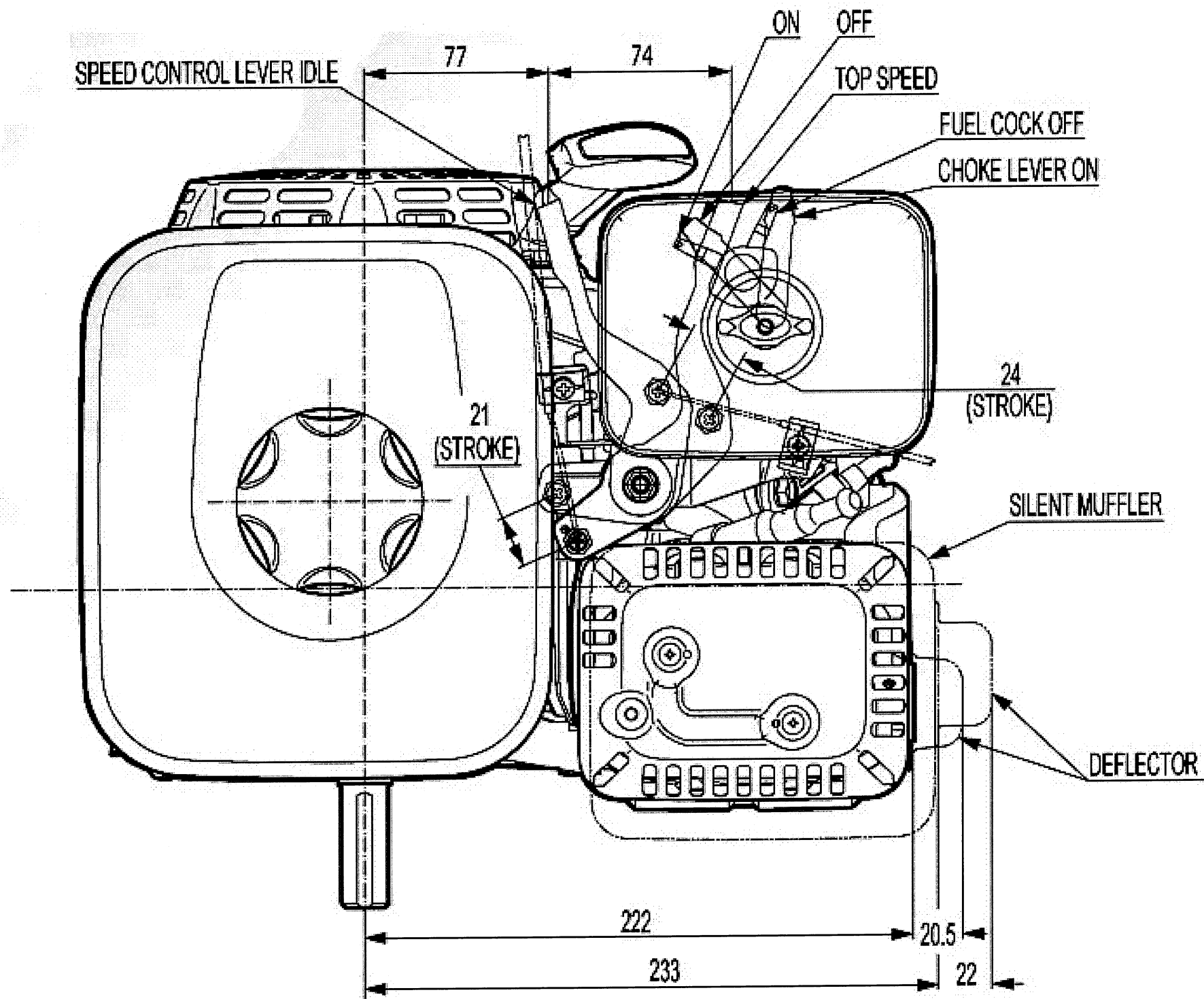
DUAL AND SILENT AIR/C



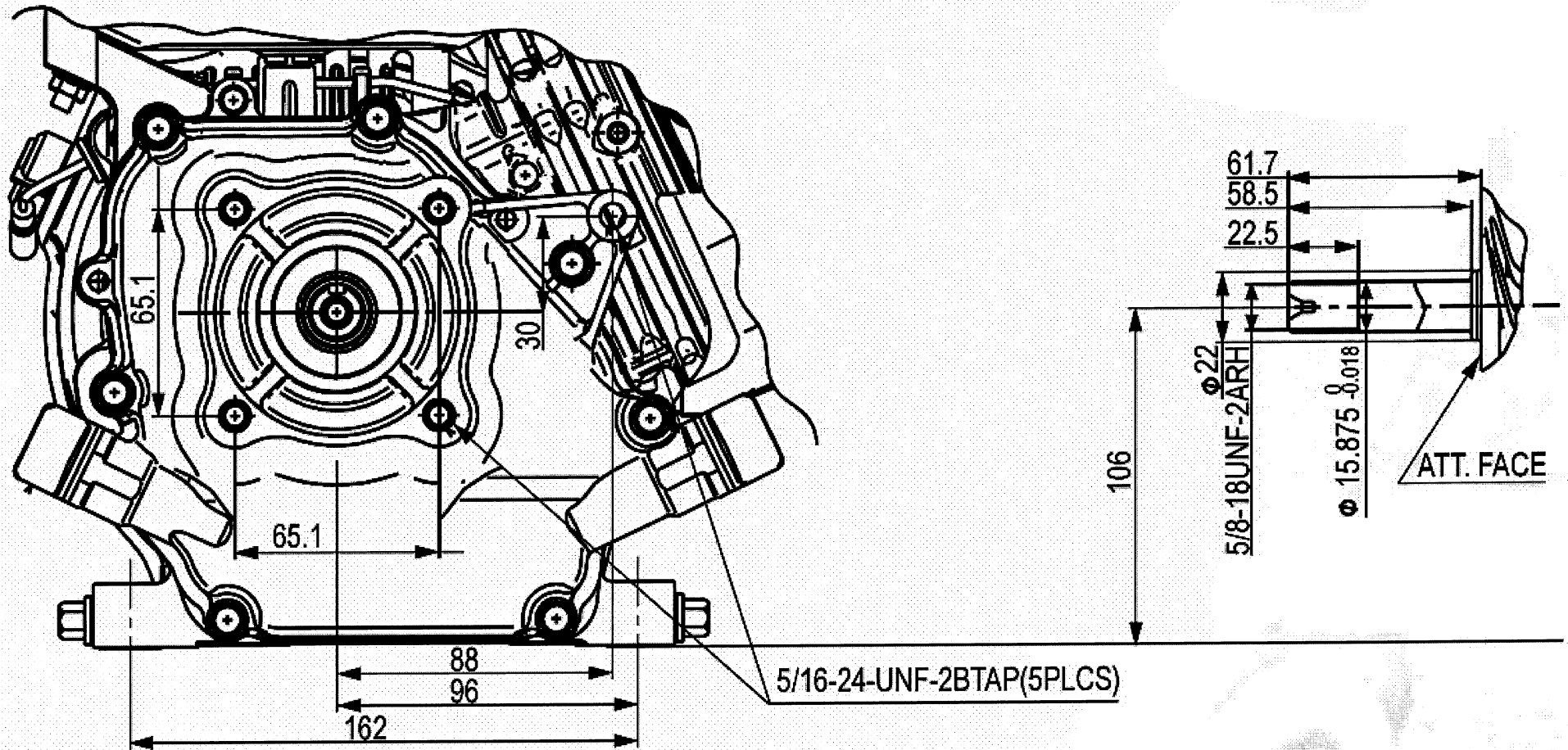
DUAL AND SILENT AIR/C







T-type



Torque

Output

