



SERVICE PARTS LIST

BULLETIN NO.
PN0003221

SPECIFY CATALOG NO. AND SERIAL NO. WHEN ORDERING PARTS		REVISED BULLETIN	DATE
Combination Wrench Sets w/ PACKOUT™ Organizer			Aug. 2024
CATALOG NO. 48-22-9483	Metric 15-Piece Combination Wrench Set		
48-22-9484	SAE 15-Piece Combination Wrench Set - See Pg. 2		
48-22-9485	Metric & SAE 30-Piece Combination Wrench Set - See Pg. 3		

48-22-9483 15-pc. Metric Combination Wrench Set with PACKOUT™ Compact Organizer

FIG.	PART NO.	DESCRIPTION OF PART	NO. REQ.
1	48-22-8435	PACKOUT Organizer	(1)
2	48-22-9483T	15-piece Metric Combination Wrench Trays	(1)
4	-----	Metric Combination Wrenches (see below)	(15)
5	43-62-8435	Side Handle Service Kit	(1)
6	-----	Pin	(2)
7	43-44-8435	Lid Gasket (Not Shown)	(1)

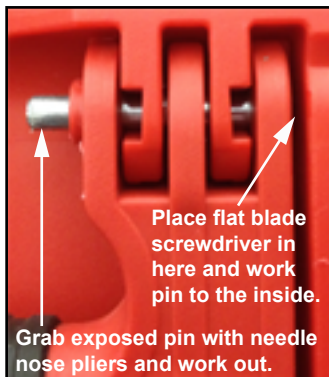
Metric Combination Wrenches (Fig.4)

45-96-9508	8mm Combination Wrench
45-96-9509	9mm Combination Wrench
45-96-9510	10mm Combination Wrench
45-96-9511	11mm Combination Wrench
45-96-9512	12mm Combination Wrench
45-96-9513	13mm Combination Wrench
45-96-9514	14mm Combination Wrench
45-96-9515	15mm Combination Wrench
45-96-9516	16mm Combination Wrench
45-96-9517	17mm Combination Wrench
45-96-9518	18mm Combination Wrench
45-96-9519	19mm Combination Wrench
45-96-9520	20mm Combination Wrench
45-96-9521	21mm Combination Wrench
45-96-9522	22mm Combination Wrench

EXAMPLE:

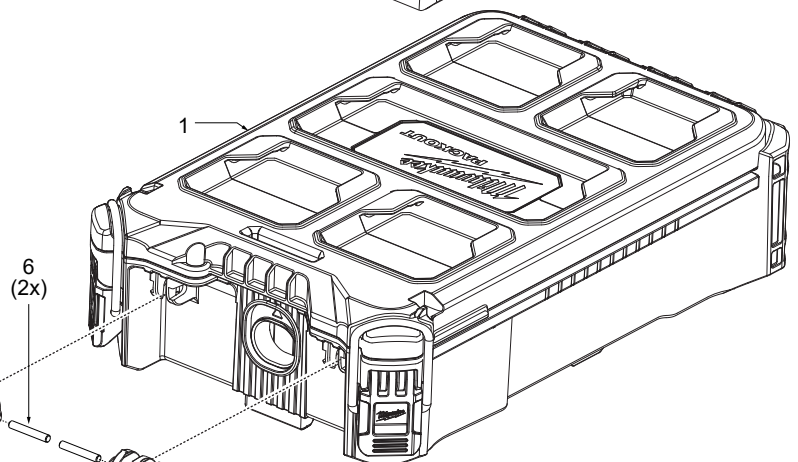
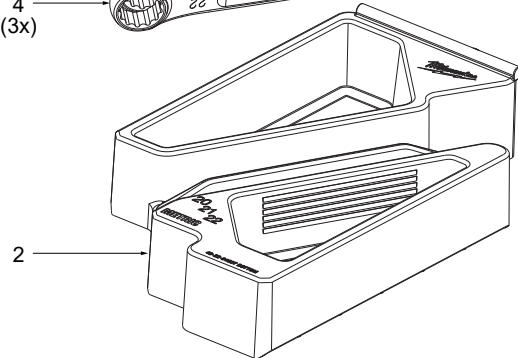
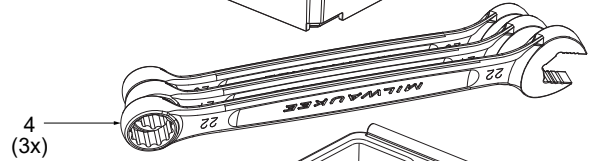
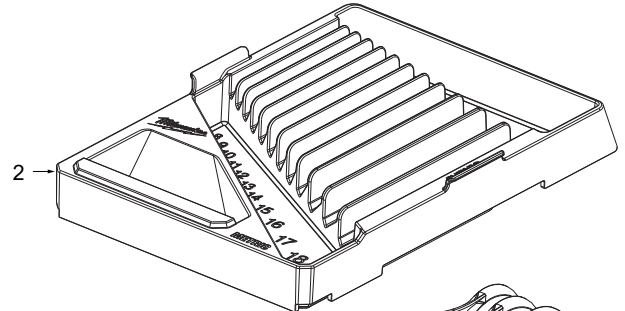
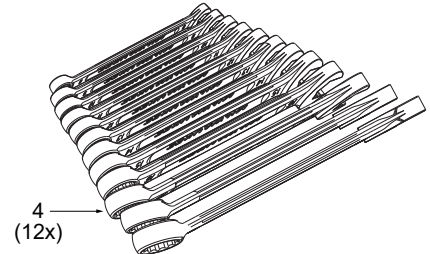
00	0
----	---

 Component Parts (Small #) Are Included When Ordering The Assembly (Large #).



5

6

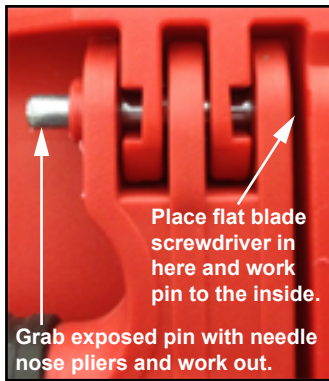
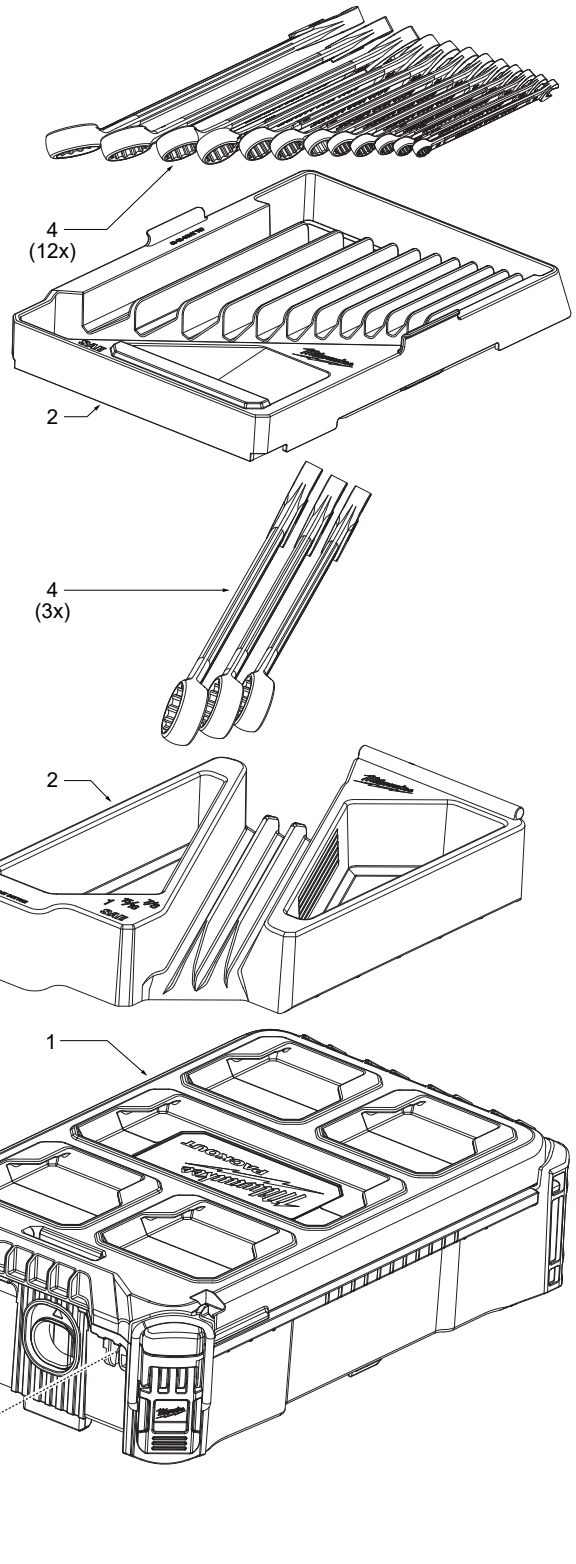


48-22-9484 15-pc. SAE Combination Wrench Set with PACKOUT™ Compact Organizer

FIG.	PART NO.	DESCRIPTION OF PART	NO. REQ.
1	48-22-8435	PACKOUT Organizer	(1)
2	48-22-9484T	15-piece SAE Combination Wrench Trays	(1)
4	-----	SAE Combination Wrenches (see below)	(15)
5	43-62-8435	Side Handle Service Kit	(1)
6	-----	Pin	(2)
7	43-44-8435	Lid Gasket (Not Shown)	(1)

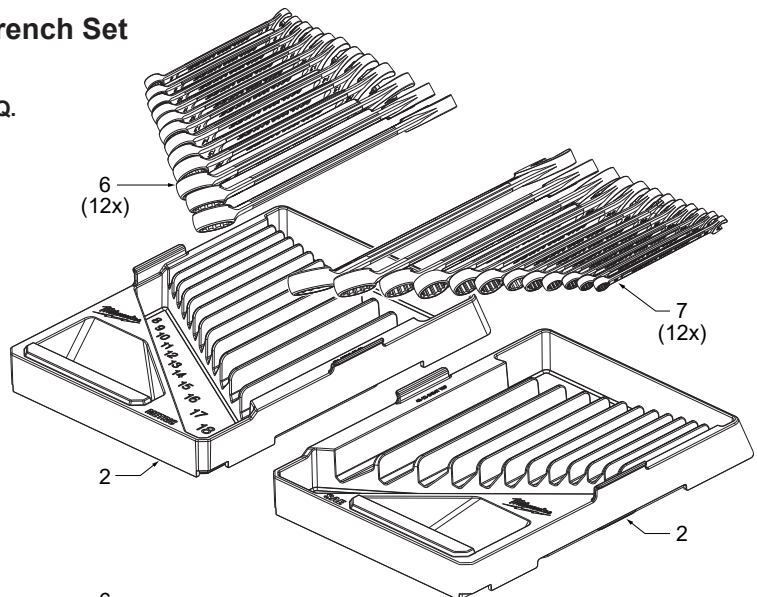
SAE Combination Wrenches (Fig.4)

- 45-96-9408 1/4" Combination Wrench
- 45-96-9409 9/32" Combination Wrench
- 45-96-9410 5/16" Combination Wrench
- 45-96-9411 11/32" Combination Wrench
- 45-96-9412 3/8" Combination Wrench
- 45-96-9414 7/16" Combination Wrench
- 45-96-9416 1/2" Combination Wrench
- 45-96-9418 9/16" Combination Wrench
- 45-96-9420 5/8" Combination Wrench
- 45-96-9422 11/16" Combination Wrench
- 45-96-9424 3/4" Combination Wrench
- 45-96-9426 13/16" Combination Wrench
- 45-96-9428 7/8" Combination Wrench
- 45-96-9430 15/16" Combination Wrench
- 45-96-9432 1" Combination Wrench



48-22-9485 15-pc. Metric & SAE Combination Wrench Set with PACKOUT™ Organizer

FIG.	PART NO.	DESCRIPTION OF PART	NO. REQ.
1	48-22-8430	PACKOUT Organizer	(1)
2	48-22-9485T	15-piece Metric & SAE Combination Wrench Trays	(1)
6	-----	Metric Combination Wrenches (see below)	(15)
7	-----	SAE Combination Wrenches (see below)	(15)
8	43-62-8435	Side Handle Service Kit	(1)
9	-----	Pin	(2)
10	43-44-8430	Lid Gasket (Not Shown)	(1)
11	44-20-8430	Latch Service Assembly (Set of 2)	(1)

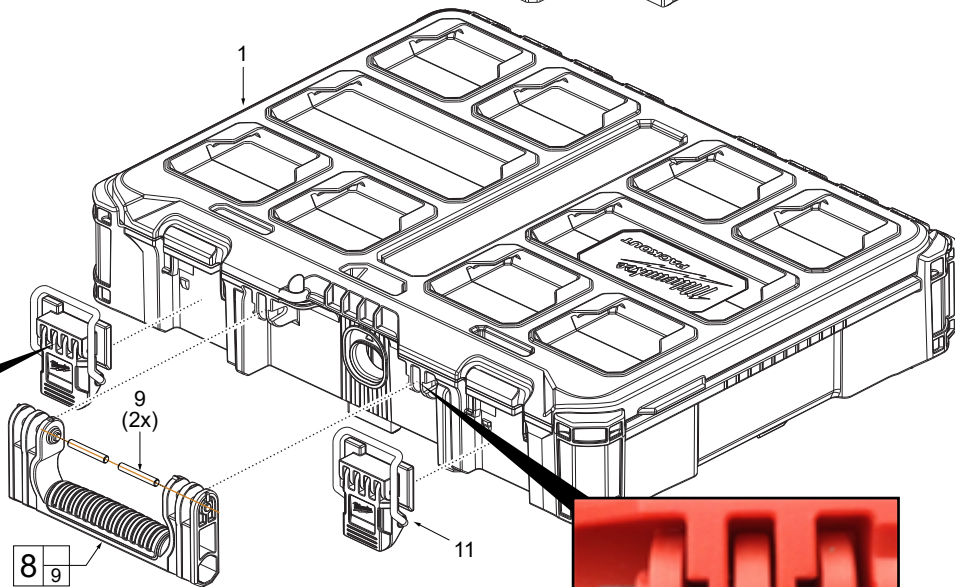
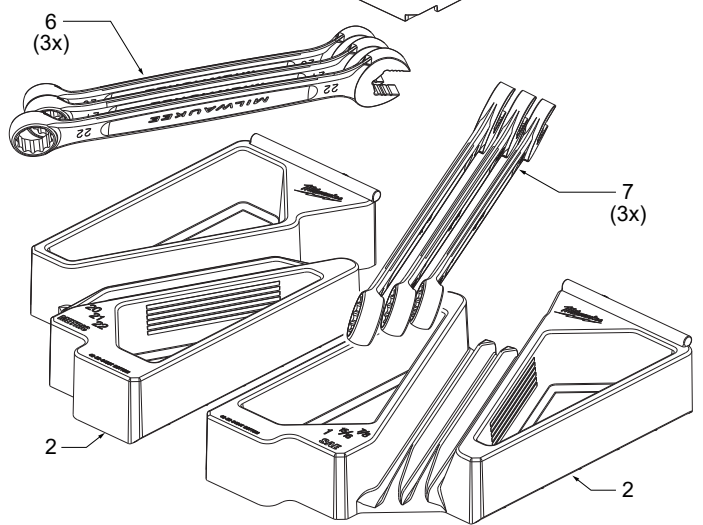


Metric Combination Wrenches (Fig.6)

- 45-96-9508 8mm Combination Wrench
- 45-96-9509 9mm Combination Wrench
- 45-96-9510 10mm Combination Wrench
- 45-96-9511 11mm Combination Wrench
- 45-96-9512 12mm Combination Wrench
- 45-96-9513 13mm Combination Wrench
- 45-96-9514 14mm Combination Wrench
- 45-96-9515 15mm Combination Wrench
- 45-96-9516 16mm Combination Wrench
- 45-96-9517 17mm Combination Wrench
- 45-96-9518 18mm Combination Wrench
- 45-96-9519 19mm Combination Wrench
- 45-96-9520 20mm Combination Wrench
- 45-96-9521 21mm Combination Wrench
- 45-96-9522 22mm Combination Wrench

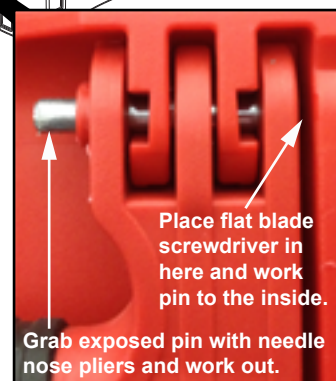
SAE Combination Wrenches (Fig.7)

- 45-96-9408 1/4" Combination Wrench
- 45-96-9409 9/32" Combination Wrench
- 45-96-9410 5/16" Combination Wrench
- 45-96-9411 11/32" Combination Wrench
- 45-96-9412 3/8" Combination Wrench
- 45-96-9414 7/16" Combination Wrench
- 45-96-9416 1/2" Combination Wrench
- 45-96-9418 9/16" Combination Wrench
- 45-96-9420 5/8" Combination Wrench
- 45-96-9422 11/16" Combination Wrench
- 45-96-9424 3/4" Combination Wrench
- 45-96-9426 13/16" Combination Wrench
- 45-96-9428 7/8" Combination Wrench
- 45-96-9430 15/16" Combination Wrench
- 45-96-9432 1" Combination Wrench



As an aid to removing a damaged Latch Assembly, use two large flat blade screwdrivers. Push blades between parts as shown. Twist both screwdrivers at same time to force the blades into opening and work the latch assembly over the two locking tabs.

To install a new latch assembly, position entire latch assembly over locking tabs with the two top lugs partially inserted in 'catch cavity' of main housing. Engage latch bar onto lid and gently press latch lever to slide assembly over two locking tabs and into place. This removal and installation process will be the same where other service latches are offered in this system.



Place flat blade screwdriver in here and work pin to the inside.
Grab exposed pin with needle nose pliers and work out.