

ALX-UD SERIES

Upblast direct drive spun aluminum exhausters



Intertek
UL705 Power Ventilator for Restaurant Exhaust Appliances



UL705 Supplement SC - Power Ventilator for Restaurant Exhaust Appliances certified, refer to our UL705 Supplement SC - Power Ventilator for Restaurant Exhaust Appliances Catalogue page C in Roof Mount Ventilation for all installation requirements

Ideal for exhausting air from factories, offices, warehouses or commercial buildings. The ALX series spun aluminum exhaust fan can be used as either a roof top or wall mount exhaust fan.

FEATURES

- Spun aluminum housing will not rust, chip or peel.
- Aluminum backward inclined wheel is non-overloading.
- EC motors available, see ALX-UD-EC.
- Variable speed PSC motors available on ALX 090/105/120/135
- All motors are 1 Phase 120/240V operation and can be operated at 50 or 60 Hz.
- All units can be wall mounted.
- Quick release latches for easy motor access

PERFORMANCE SPECIFICATIONS & CFM RATINGS

MODEL	MOTOR			AIRFLOW (CFM) @ STATIC PRESSURE													
	HP	Variable Speed	Max RPM	0" SP		1/4" SP		1/2" SP		3/4" SP		1" SP		1-1/4" SP		1-1/2" SP	
				High	Low	High	Low	High	Low	High	Low	High	Low	High	Low	High	Low
ALX090-UD008V***	1/12	Y	1650	525	275	425	100	340	100	-	-	-	-	-	-	-	-
ALX105-UD013V	1/8	Y*	1650	950	526	850	451	725	300	-	-	-	-	-	-	-	-
ALX120-UD033V	1/3	Y*	1650	1400	977	1300	826	1175	751	1050	601	850	451	-	-	-	-
ALX135-UD050V	3/4	Y	1650	1950	-	1900	-	1800	-	1650	-	1550	-	1400	-	1300	-

MODEL	MOTOR			AIRFLOW (CFM) @ STATIC PRESSURE																				
	HP	Variable Speed	Max RPM	0" SP			1/4" SP			1/2" SP			3/4" SP			1" SP			1-1/4" SP			1-1/2" SP		
				CFM	FEI	FEPact (KW)	CFM	FEI	FEPact (KW)	CFM	FEI	FEPact (KW)	CFM	FEI	FEPact (KW)	CFM	FEI	FEPact (KW)	CFM	FEI	FEPact (KW)	CFM	FEI	FEPact (KW)
ALX150-UD100S	1	N	1750	2450	0.49	0.67	2375	0.70	0.69	2275	0.86	0.72	2150	1.00	0.73	2050	1.11	0.76	1875	1.17	0.77	1700	1.23	0.77
ALX165-UD150S (this model not ETL certified)	1 1/2	N	1750	3400	0.39	1.10	3300	0.56	1.13	3200	0.70	1.18	3000	0.80	1.21	2900	0.90	1.24	2800	0.99	1.27	2600	1.03	1.31

* Using MC5 for 115V or MC5-230 for 230V

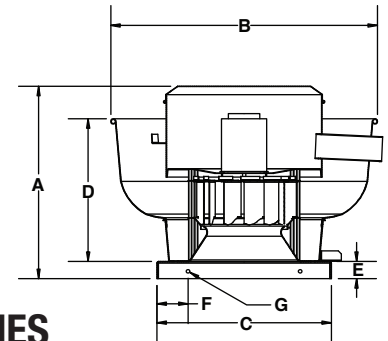
*** UL705 Only

FOR FAN CURVES & FULL PERFORMANCE DATA, CONSULT OUR DELAIR SOFTWARE. WWW.CANARM.COM/DELAIR

DIMENSIONS

MODEL	DIMENSIONS (INCHES)											WEIGHT (lbs)
	A	B	C	C2	D	E	F	G Ø	Wheel Diameter	Roof Opening		
ALX090-UD**	14.25	17.75	19.00	-	9.50	2.00	-	-	9.00	13.00	30	
ALX105-UD	18.00	25.00	19.00	21.00	13.00	1.50	3.50	0.38	10.50	15.00	35	
ALX120-UD	19.00	25.00	19.00	21.00	13.00	1.50	3.50	0.38	12.25	15.00	37	
ALX135-UD	22.25	32.13	21.00	24.75	17.13	2.00	3.75	0.44	13.50	17.00	53	
ALX150-UD	23.13	32.13	21.00	24.75	17.13	2.00	3.75	0.44	15.00	17.00	58	
ALX165-UD	27.13	37.50	24.75	28.00	21.13	2.00	4.00	0.44	16.50	20.75	100	

** UL705 Only



OPTIONS & ACCESSORIES

- Wall mount bracket (for all sizes up to 24")
 - Grease collection box (required for UL705 Power Ventilator for Restaurant Exhaust Appliances)
 - Curb hinge
 - Disconnect switches
 - MC series solid state variable speed controls (ALX105-135 models)
 - Roof Curbs
 - Other base (curb cap) options available. See dimensions table "C2".
- Options for non-restaurant applications**
- Motorized damper
 - Gravity (automatic) damper
 - Bird screen

DISCONNECT SWITCHES

- Wire disconnect switches are available. See Controls & Thermostats section for details.



Canarm certifies that the ALX-UD Series shown herein are licensed to bear the AMCA Seal. The ratings shown are based on tests and procedures performed in accordance with AMCA Publications 211 & 311 and comply with the requirements of the AMCA Certified Ratings Programme.

The AMCA certified ratings seal applies to air and sound performance only. The ALX-UD Series shown herein are not approved by AMCA for FEI ratings.