

ALX-UD-EC SERIES

Upblast direct drive
spun aluminum exhausters with EC motor

Ideal for exhausting air from factories, offices, warehouses or commercial buildings. The ALX series spun aluminum exhaust fan can be used as either a roof top or wall mount exhaust fan.



UL705 Power Ventilator for Restaurant Exhaust Appliances



UL705 Supplement SC - Power Ventilator for Restaurant Exhaust Appliances certified, refer to our UL705 Supplement SC - Power Ventilator for Restaurant Exhaust Appliances Catalogue page C in Roof Mount Ventilation for all installation requirements

**FEATURING EC MOTORS
- UP TO 82% EFFICIENCY**

**ENERGY SAVINGS OF UP TO 70% OVER
REGULAR DUTY PSC MOTORS**

FEATURES

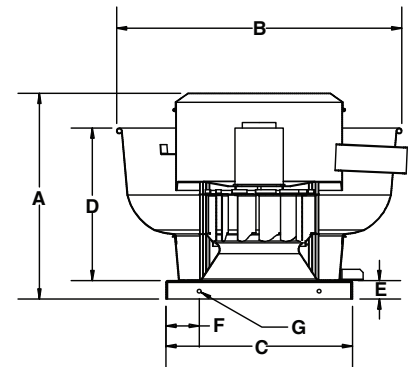
- Spun aluminum housing will not rust, chip or peel.
- Aluminum backward inclined wheel is non-overloading.
- For models with PSC motors see ALX-UD.
- All motors are 1 Phase 120/240V operation and can be operated at 50 or 60 Hz.
- All units can be wall mounted.
- Quick release latches for easy motor access.

EC MOTORS

- EC motors offer true variable speed operation and up to 70% energy savings over PSC motors.
- On-board speed adjustment allows simple setup and balancing with LED display.
- Can be controlled remotely up to 50' using a remote mount potentiometer or 0-10V.

DIMENSIONS

MODEL	DIMENSIONS (INCHES)								Wheel Diameter	Roof Opening	WEIGHT (lbs)
	A	B	C	C2	D	E	F	G Ø			
ALX105-UD-EC	20.00	25.00	19.00	21.00	13.00	1.50	3.50	0.38	10.50	15.00	35
ALX120-UD-EC	21.00	25.00	19.00	21.00	13.00	1.50	3.50	0.38	12.25	15.00	37
ALX135-UD-EC	24.25	32.13	21.00	24.75	17.13	2.00	3.75	0.44	13.50	17.00	53
ALX150-UD-EC	24.25	32.13	21.00	24.75	17.13	2.00	3.75	0.44	15.00	17.00	58
ALX165-UD-EC	27.13	37.50	24.75	28.00	21.13	2.00	4.00	0.44	16.50	20.75	100
ALX180-UD-EC	31.75	37.50	28.00	24.75	21.13	2.00	4.00	0.44	18.25	20.75	116
ALX210-UD-EC	37.50	43.75	33.13	40.00	25.50	2.50	4.00	0.44	21.00	29.00	178



OPTIONS & ACCESSORIES

- Wall mount bracket (for all sizes up to 24")
 - Grease collection box (required for UL705 Power Ventilator for Restaurant Exhaust Appliances)
 - Curb hinge
 - Disconnect switches
 - MC series solid state variable speed controls (ALX105-135 models)
 - Roof Curbs
 - Other base (curb cap) options available. See dimensions table "C2".
- Options for non-restaurant applications**
- Motorized damper
 - Gravity (automatic) damper
 - Bird screen

DISCONNECT SWITCHES

- Wire disconnect switches are available. See Controls & Thermostats section for details.



Canarm certifies that the ALX-UD-EC Series shown herein are licensed to bear the AMCA Seal. The ratings shown are based on tests and procedures performed in accordance with AMCA Publications 211 & 311 and comply with the requirements of the AMCA Certified Ratings Programme.

The AMCA certified ratings seal applies to air and sound performance only. The ALX-UD-EC Series shown herein are not approved by AMCA for FEI ratings.



ALX-UD-EC SERIES

Upblast direct drive
spun aluminum exhausters with EC motor

PERFORMANCE SPECIFICATIONS & CFM RATINGS

UNIT	MOTOR			AIRFLOW (CFM) @ STATIC PRESSURE															
	HP	Variable Speed	Max RPM	0" SP		1/4" SP		1/2" SP		3/4" SP		1" SP		1-1/4" SP		1-1/2" SP		2"	
				High	Low	High	Low	High	Low	High	Low	High	Low	High	Low	High	Low	High	Low
ALX105-UD033EC	1/3	Y	1800	1051	217	954	319	866	393	732	440	534	483	-	-	-	-	-	-
ALX120-UD050EC	1/2	Y	1800	1548	325	1422	336	1282	367	1133	395	947	408	633	438	-	-	-	-
ALX135-UD033EC	1/3	Y	1350	1578	400	1491	450	1346	600	1212	700	1053	850	-	-	-	-	-	-
ALX135-UD050EC	1/2	Y	1550	1850	400	1775	450	1650	600	1525	700	1375	850	1200	1000	-	-	-	-
ALX135-UD075EC	3/4	Y	1750	2100	400	2000	450	1900	600	1800	700	1700	850	1575	1000	1450	1100	-	-
ALX150-UD033EC	1/3	Y	1100	1735	600	1594	579	1403	663	1157	767	-	-	-	-	-	-	-	-
ALX150-UD050EC	1/2	Y	1350	2003	581	1934	688	1754	680	1595	733	1389	823	1114	765	-	-	-	-
ALX150-UD075EC	3/4	Y	1550	2353	696	2261	711	2161	733	2048	674	1917	827	1751	940	1574	980	1269	1052
ALX165-UD050EC	1/2	Y	1200	2595	861	2372	800	2155	921	1970	1068	1687	1155	-	-	-	-	-	-
ALX165-UD075EC	3/4	Y	1350	2965	861	2780	800	2579	921	2427	1068	2236	1155	1986	1318	1682	1405	-	-

EC motors can be controlled using the built in potentiometer on motor or by using a 0 to 10 V controller, or by a remote potentiometer. Minimum motor speed 425 RPM (EC Models)

MODEL	MOTOR			Airflow (CFM) @ Static Pressure																			
	HP	Variable Speed	Max RPM	0" SP				1/2" SP				1" SP				1-1/4" SP				1-3/4" SP			
				CFM	BHP	FEI	FEPact (KW)	CFM	BHP	FEI	FEPact (KW)	CFM	BHP	FEI	FEPact (KW)	CFM	BHP	FEI	FEPact (KW)	CFM	BHP	FEI	FEPact (KW)
ALX150-UD100EC	1	Y	1700	2544	0.81	0.46	0.73	2361	0.87	0.81	0.78	2173	0.92	1.07	0.82	2050	0.94	1.16	0.84	1496	0.94	1.15	0.84
ALX165-UD100EC	1	Y	1500	2974	0.85	0.50	0.77	2767	0.93	0.87	0.83	2450	1.00	1.09	0.89	2216	0.99	1.17	0.88	1703	0.99	1.21	0.88
ALX180-UD100EC	1	Y	1200	3400	0.75	0.62	0.68	3000	0.81	1.05	0.73	2400	0.88	1.21	0.79	2025	0.85	1.26	0.77	-	-	-	-
ALX210-UD100EC	1	Y	900	4300	0.94	0.61	0.84	3725	0.96	1.08	0.86	2900	0.96	1.30	0.86	2200	0.96	1.20	0.86	-	-	-	-

FOR FAN CURVES & FULL PERFORMANCE DATA, CONSULT OUR DELAIR SOFTWARE. WWW.CANARM.COM/DELAIR

ALX UPBLAST SERIES AIRFLOW RANGE WITH EC MOTORS

