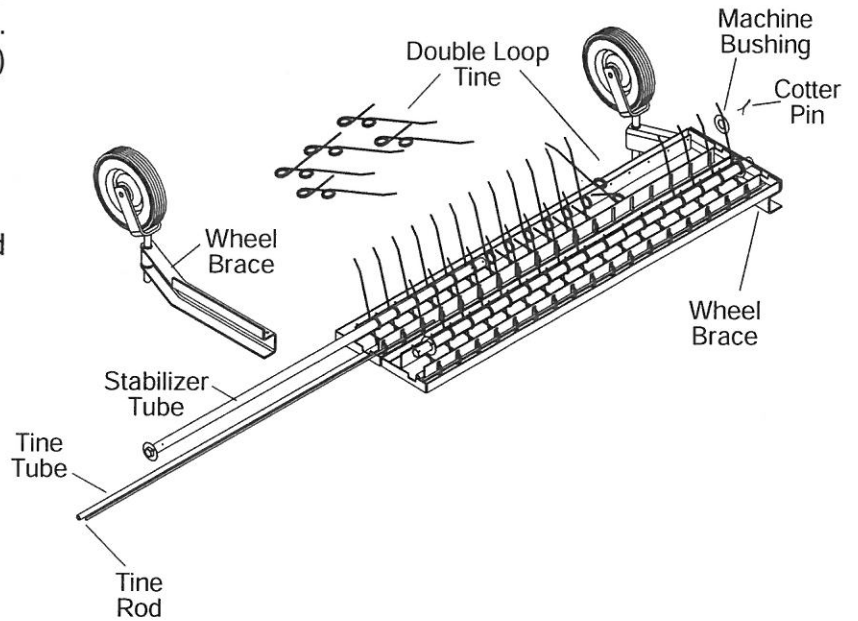


Tine Replacement

1. Disconnect the rake from the mower, and place upside down. Remove either wheel brace assembly.

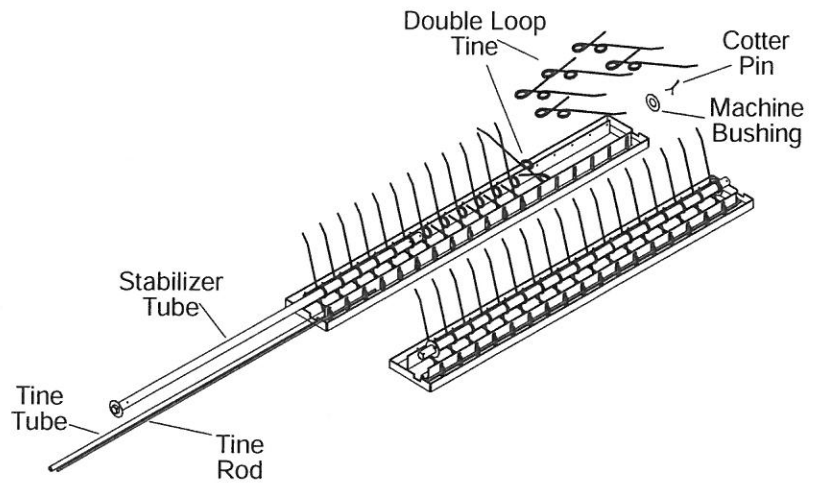
2. Remove the cotter pin and machine bushing from the opposite end of the rake that the wheel brace was removed. Slide the stabilizer tube (7/8" diameter) out of the bottom loops of the tines.

3. Lift up slightly and slide out the tine rod and tine tube from the top tine loop.



4. Remove and replace tines as necessary. Slide the tine forward in the deck, until the loop disengages the slot, lift upward and pull it back, out of the hole.

5. Replace tines by inserting the end into the round hole, slide forward until the loop can go past the deck flange. Push it down and back into the slot.



6. Insert the tine rod in the back of the top loop. Insert the tine tube in the front of the top loop. Be sure they pass through each tine.

7. Replace the stabilizer tube in the bottom tine loop and secure with machine bushing and a new cotter pin.

8. Replace wheel brace.