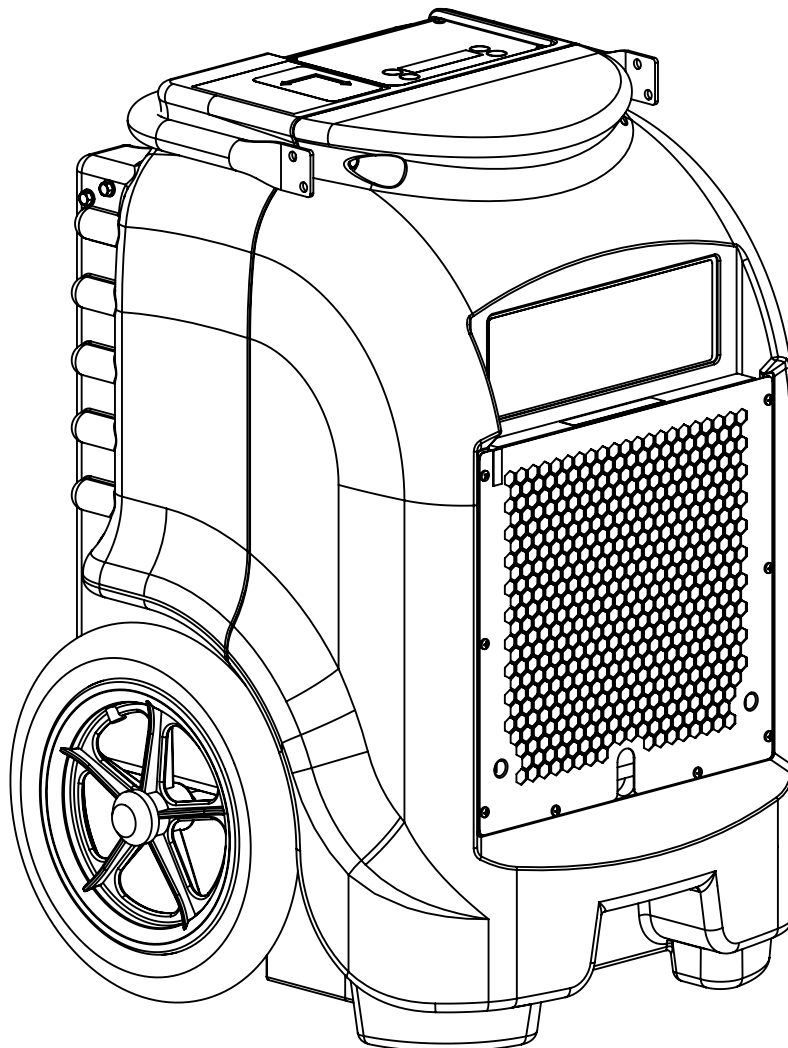
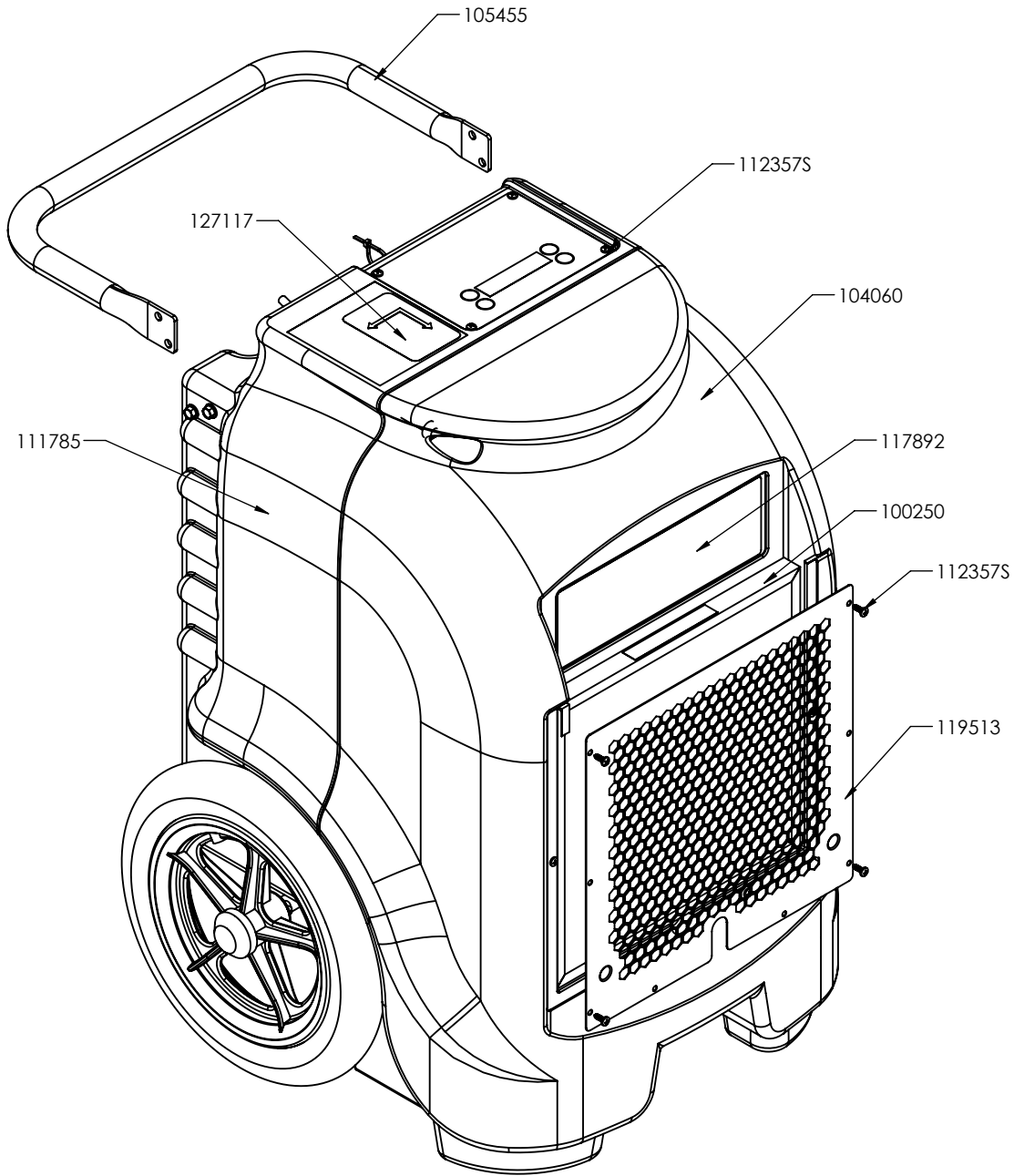


DRIZAIR 1200

REFRIGERANT DEHUMIDIFIER

MANUFACTURING DATE: 05/2023-PRESENT

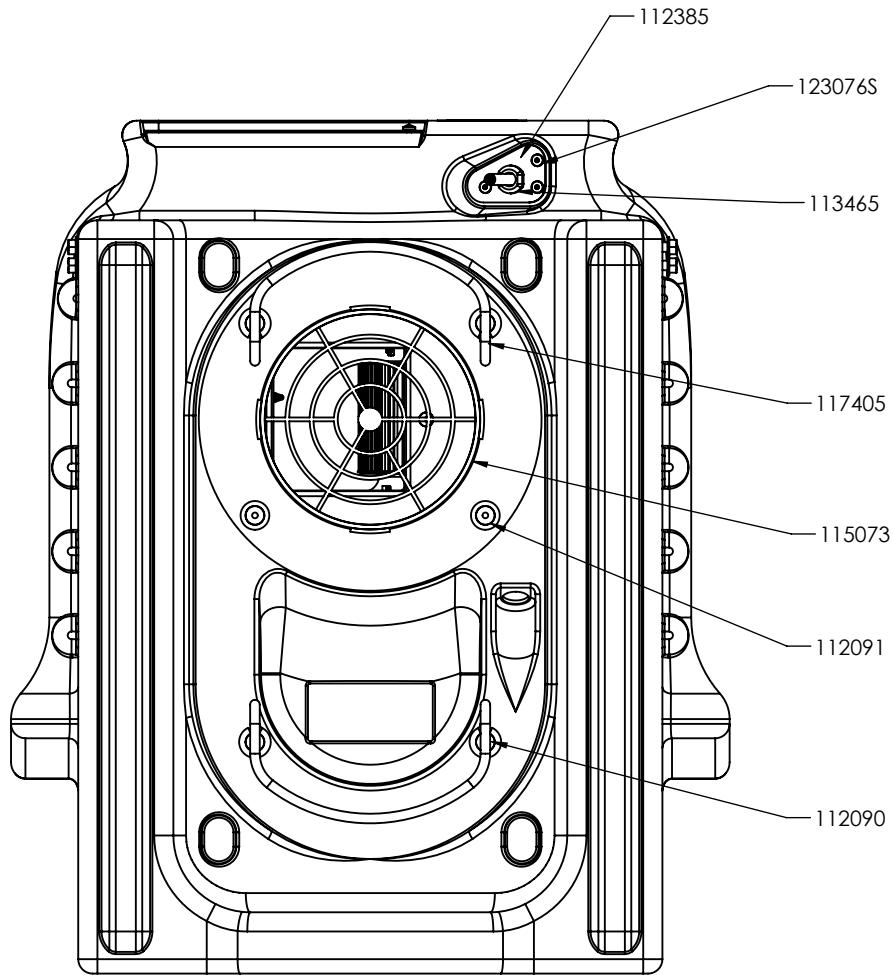




OUTER ASSEMBLY

PART NO.	QTY	UNIT	DESCRIPTION
127117	1	EA	LABEL - WARNING SMALL IEC DEHUS
119513	1	EA	SHROUD - FILTER PC WR BLK
117892	1	EA	LABEL - PRODUCT DZ 1200 (QR)
112357S	8	EA	SCREW - #8 X 1/2 PHIL PH ZP
111785	1	EA	REAR PANEL - POLYETHYLENE FLINT GRY DZ1200
105455	1	EA	HANDLE - FIXED PC WR BLK DZ1200
104060	1	EA	COVER - POLYETHYLENE FISHER BLU DZ1200
100250	1	EA	4 PRO DEHUMIDIFIER FILTER - DRIZAIR 1200/LGR 7000XLI (24 PK)

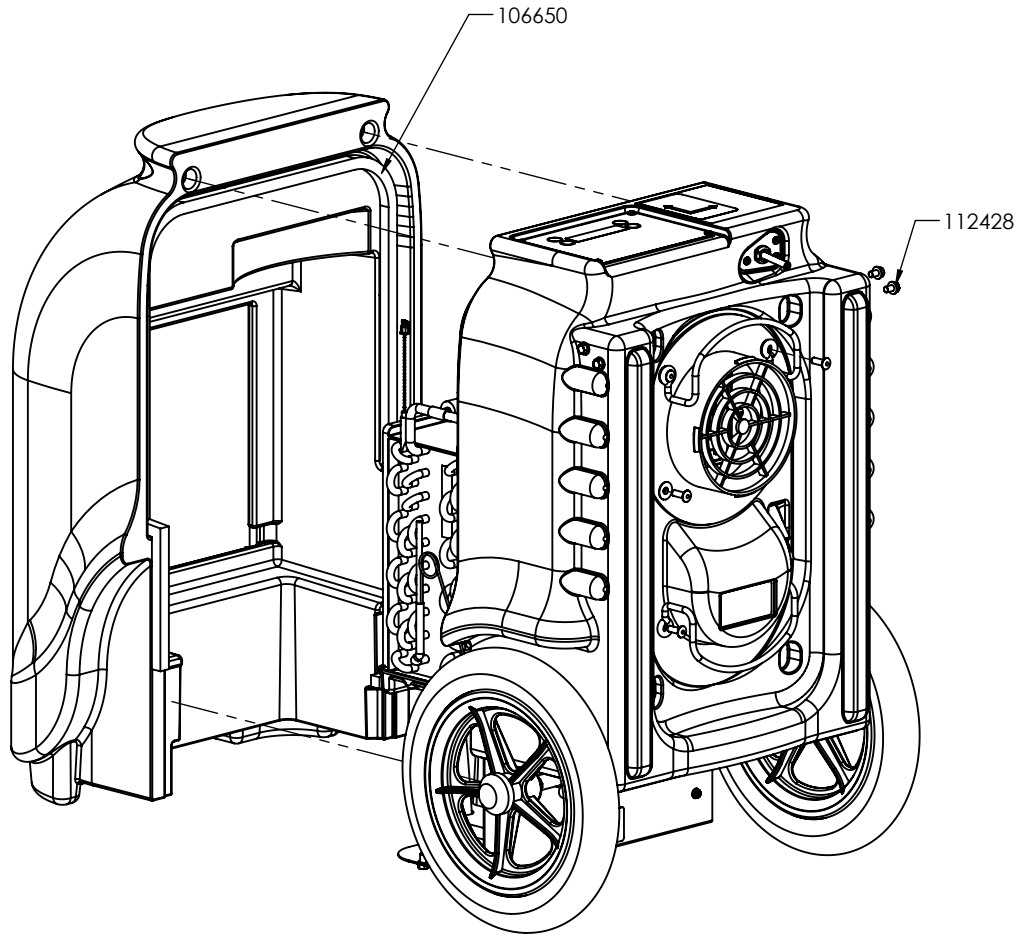
Parts are available through Legend Brands distributors. To locate a distributor near you, visit www.legendbrands.com/how-to-buy/dealer-directory
 For technical questions, visit info.LegendBrands.com or email service@legendbrandsrestoration.com



REAR ASSEMBLY

PART NO.	QTY	UNIT	DESCRIPTION
123076S	3	EA	RIVET - 5/32 X 1/4 TRI FOLD AL/AL BLK
117405	2	EA	HOSE WRAP - .250 PREGALV WIRE PC WR BLK DZ1200
115073	1	EA	DUCT RING - 6 DIA ABS BLK DZ 2400
113465	1	EA	STRAIN RELIEF - SNAP .360 DIA BLK
112385	1	EA	PLATE - STRAIN RELIEF PC WR BLK VORTEX
112091	4	EA	RIVET - 1/4 X 3/4 STL/STL ZP
112090	2	EA	RIVET - 1/4 X 1/2 STL/STL ZP

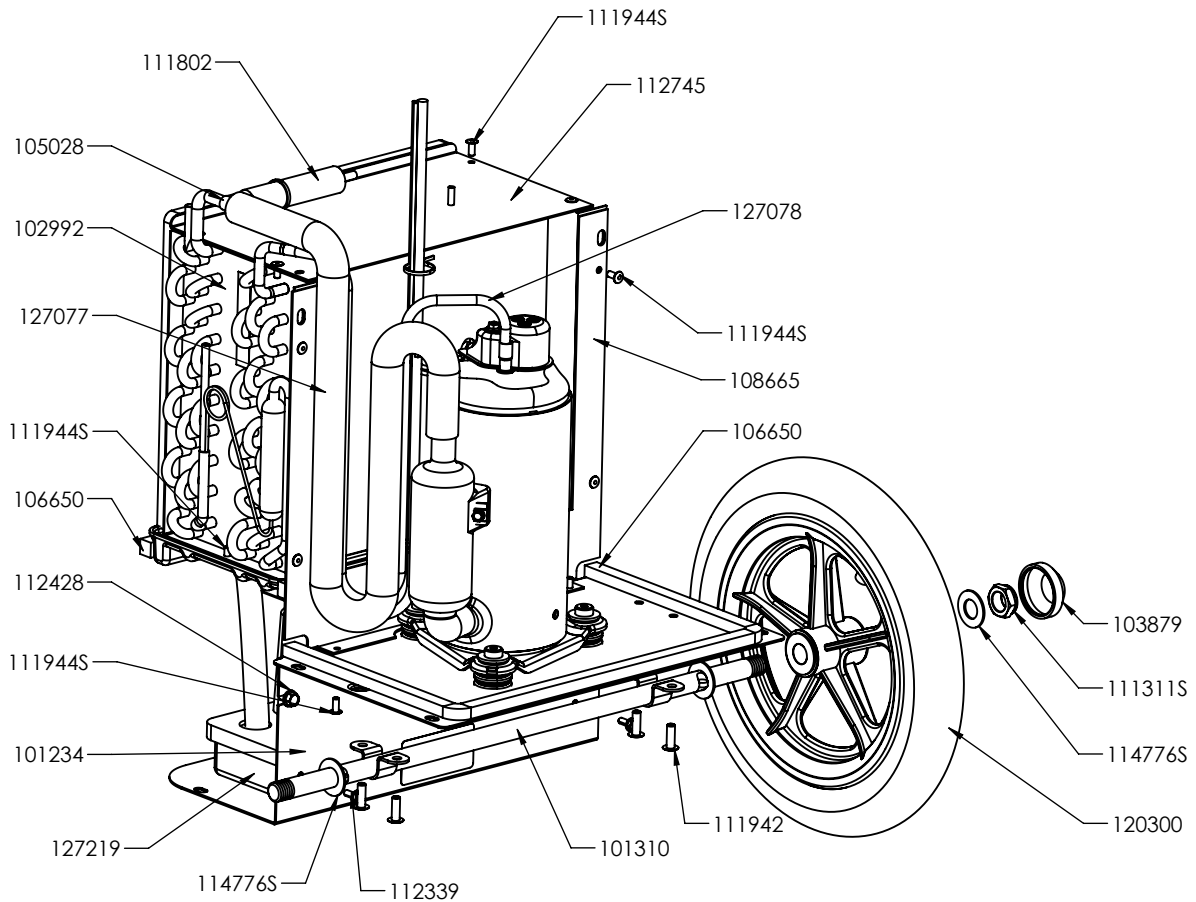
Parts are available through Legend Brands distributors. To locate a distributor near you, visit www.legendbrands.com/how-to-buy/dealer-directory
 For technical questions, visit info.LegendBrands.com or email service@legendbrandsrestoration.com



ASSEMBLY DETAIL

PART NO.	QTY	UNIT	DESCRIPTION
106650	4.167	FT	GASKET - 1/2 X 1/2 PVC PSA
112428	4	EA	SCREW - 1/4-20 X 3/8 HWH NYLOC ZP

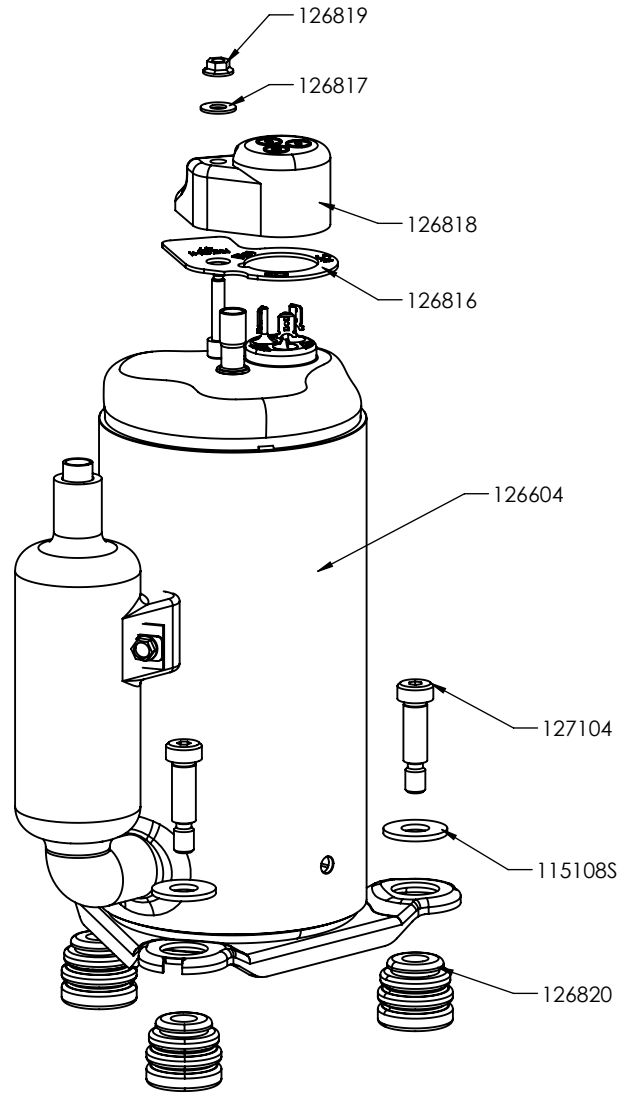
Parts are available through Legend Brands distributors. To locate a distributor near you, visit www.legendbrands.com/how-to-buy/dealer-directory
 For technical questions, visit info.LegendBrands.com or email service@legendbrandsrestoration.com



CHASSIS ASSEMBLY

PART NO.	QTY	UNIT	DESCRIPTION
127219	1	EA	PUMP - CENTRIFUGAL 115V R32 80 GPH 5 FT CORD
127078	1	EA	REFRIGERATION LINE - 115V DISCHARGE R32 DZ1200
127077	1	EA	REFRIGERATION LINE - 115V SUCTION R32 DZ1200
120300	2	EA	WHEEL - 12 X 2 X 5/8 BORE GRY
114776S	4	EA	WASHER - 5/8 AN .64 ID X 1.187 OD X .06 SS
112745	1	EA	SHROUD - COIL GALV STL DZ 1200
112428	2	EA	SCREW - 1/4-20 X 3/8 HWH NYLOC ZP
112339	2	EA	SCREW - #10-24 X 1/2 SLT HWH ZP
111944S	13	EA	RIVET - 3/16 X 1/4 STL/STL ZP
111942	4	EA	RIVET - 1/4 X 1/4 STL/STL ZP 8-4
111802	1	EA	REFRIGERATION LINE - 115V CHARGE STUB DRIZAIR1200
111311S	2	EA	NUT - 5/8-11 UNC THIN ZP NYLOC
108665	1	EA	BULKHEAD - GALV STL DZ1200
106650	7.775	FT	GASKET - 1/2 X 1/2 PVC PSA
105028	1	EA	FITTING - TEE 3/8 X 3/8 X 1/4 COPPER AC/R
102992	1	EA	COIL ASSY - EVAPORATOR/CONDENSER DZ1200
101310	1	EA	AXLE ASSY - 5/8 OD X 20.29 ZP DZ1200
101234	1	EA	BASE - GALV STL DZ1200

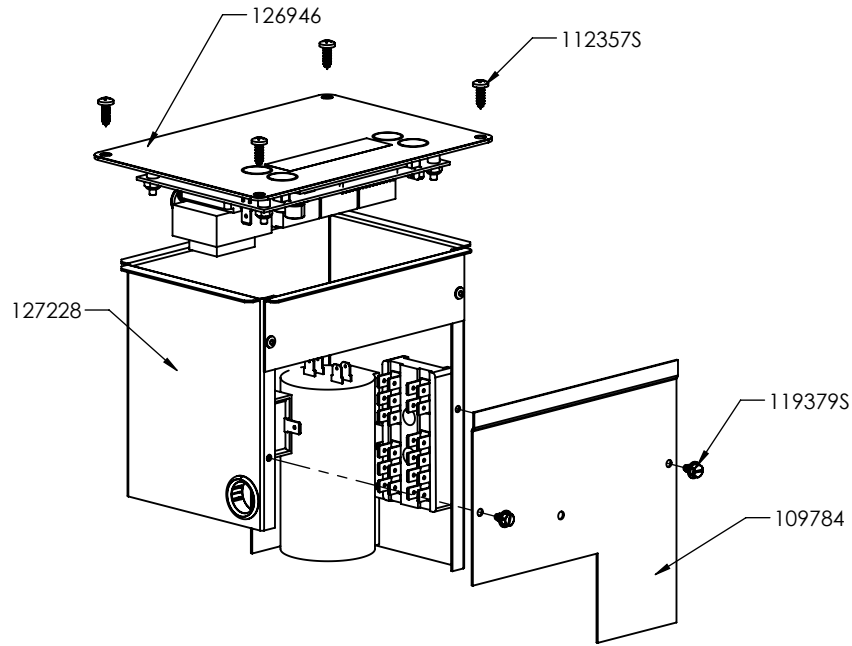
Parts are available through Legend Brands distributors. To locate a distributor near you, visit www.legendbrands.com/how-to-buy/dealer-directory
 For technical questions, visit info.LegendBrands.com or email service@legendbrandsrestoration.com



COMPRESSOR ASSEMBLY

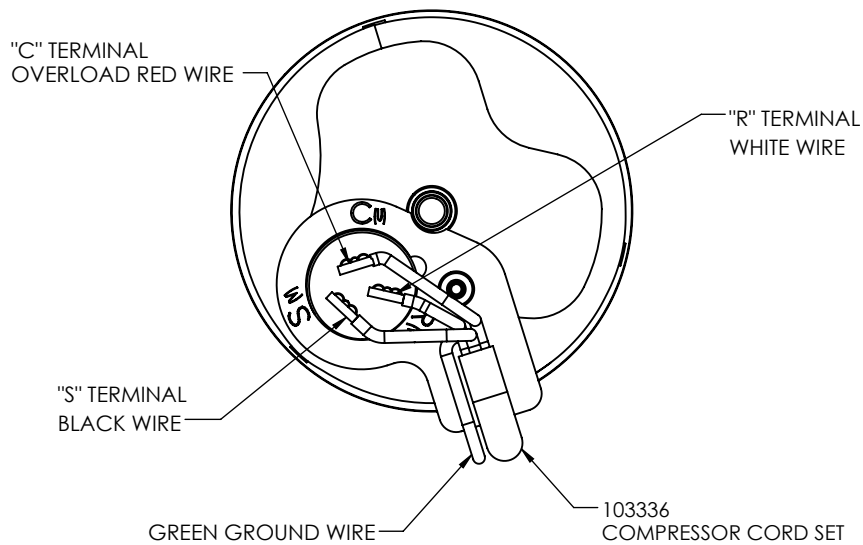
PART NO.	QTY	UNIT	DESCRIPTION
127104	3	EA	BOLT - SHOULDER 5/16-18 X 3/8 X 1.00
126820	3	EA	GROMMET - COMPRESSOR VIBRATION MOUNT RECHI A4
126819	1	EA	NUT - COMPRESSOR TERMINAL RECHI
126818	1	EA	COVER - COMPRESSOR TERMINAL RECHI
126817	1	EA	WASHER - COMPRESSOR TERMINAL COVER RUBBER RECHI
126816	1	EA	GASKET - COMPRESSOR TERMINAL RUBBER RECHI
126604	1	EA	COMPRESSOR RECHI - ROATARY 115V 6645 BTU R32
115108S	3	EA	WASHER - 3/8 USS .43 ID X 1.00 OD X .08 ZP

Parts are available through Legend Brands distributors. To locate a distributor near you, visit www.legendbrands.com/how-to-buy/dealer-directory
 For technical questions, visit info.LegendBrands.com or email service@legendbrandsrestoration.com



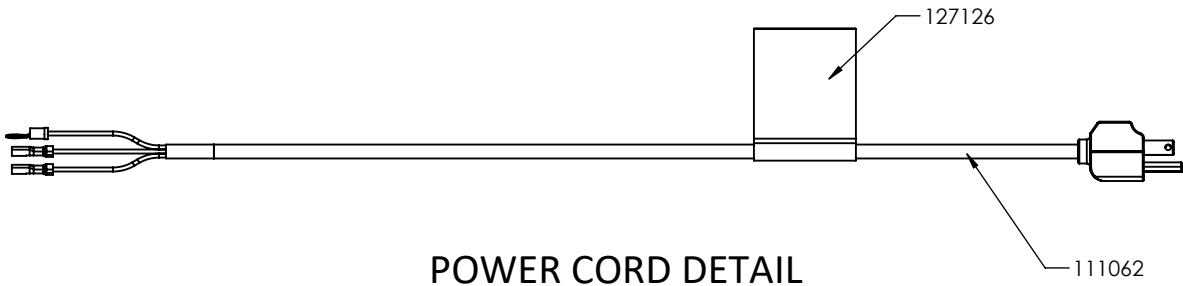
ELECTRICAL BOX ASSEMBLY

PART NO.	QTY	UNIT	DESCRIPTION
127228	1	EA	ELECTRICAL BOX ASSY - 115V R32 DRIZAIR 1200
126946	1	EA	CONTROL PANEL ASSY - R32 115V DEHUMIDIFIERS
119379S	2	EA	SCREW - #8-32 X 1/4 TF SER HWH ZP
112357S	4	EA	SCREW - #8 X 1/2 PHIL PH ZP
109784	1	EA	PANEL - LOWER ELECTRICAL BOX GALV STL DZ1200



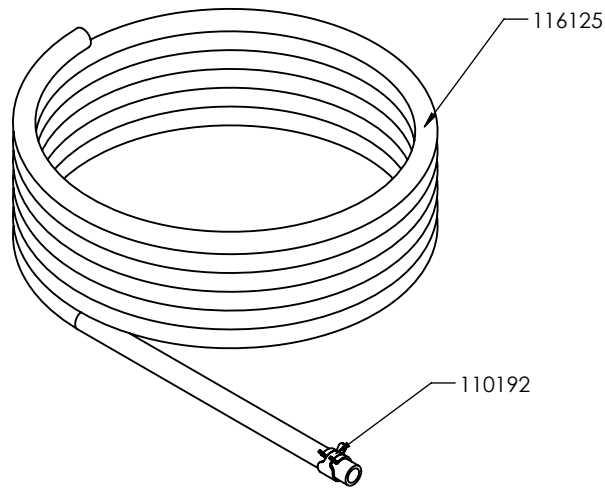
COMPRESSOR WIRING DETAIL

Parts are available through Legend Brands distributors. To locate a distributor near you, visit www.legendbrands.com/how-to-buy/dealer-directory
 For technical questions, visit info.LegendBrands.com or email service@legendbrandsrestoration.com



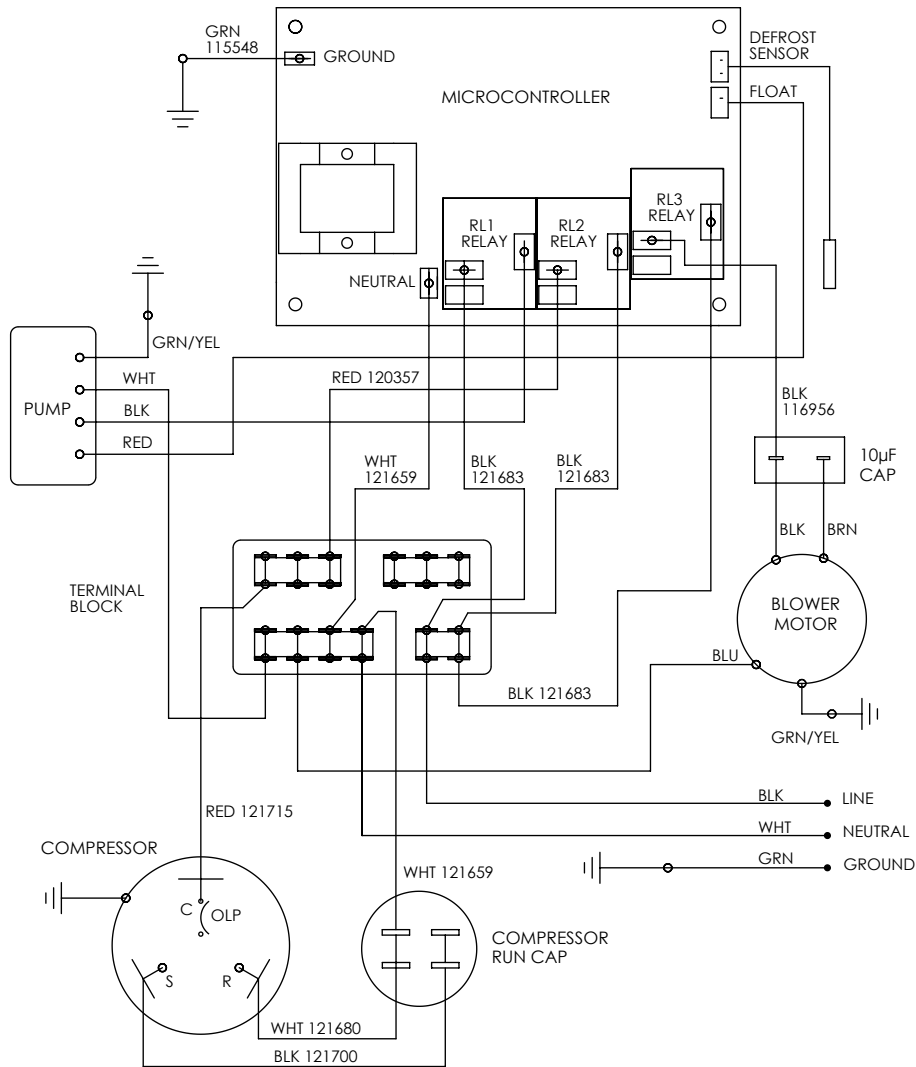
POWER CORD DETAIL

PART NO.	QTY	UNIT	DESCRIPTION
127126	1	EA	LABEL – WARNING POWER CORD IEC DEHUS
111062	1	EA	POWER CORD ASSY - 16/3 SJTW 5-15P 25FT DZ1200



HOSE DETAIL

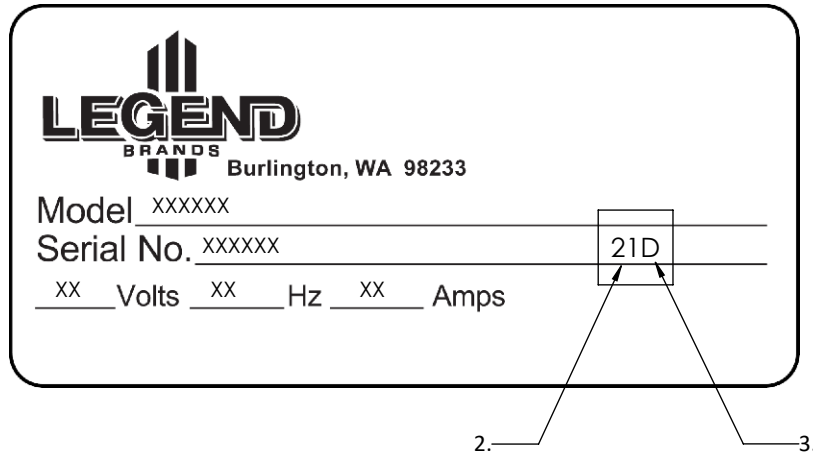
PART NO.	QTY	UNIT	DESCRIPTION
116125	40	FT	TUBE - 1/4 ID X 3/8 OD X 40FT VINYL
110192	1	EA	CLAMP - HOSE 3/8 DIA SPRING GRN



WIRING SCHEMATIC

Parts are available through Legend Brands distributors. To locate a distributor near you, visit www.legendbrands.com/how-to-buy/dealer-directory
 For technical questions, visit info.LegendBrands.com or email service@legendbrandsrestoration.com

DATE CODE LEGEND



1. THE DATE CODE CAN BE FOUND ON THE RIGHT SIDE OF THE SERIAL NUMBER LINE
2. THE FIRST PORTION OF THE DATE CODE REPRESENTS THE LAST TWO DIGITS OF THE YEAR IN WHICH THE PRODUCT WAS MANUFACTURED
3. THE SECOND PORTION OF THE DATE CODE REPRESENTS THE MONTH IN WHICH THE PRODUCT WAS MANUFACTURED. THE MONTHS ARE REPRESENTED BY LETTERS OUTLINED IN THE TABLE BELOW.

LETTER	MONTH
A	JANUARY
B	FEBRUARY
C	MARCH
D	APRIL
E	MAY
F	JUNE
G	JULY
H	AUGUST
I	SEPTEMBER
J	OCTOBER
K	NOVEMBER
L	DECEMBER

NOTE:
SERIAL LABEL DETAILS (I.E. BRANDING, SPECIFICATIONS, ETC.) ARE SUBJECT TO CHANGE BASED ON THE PRODUCT