



PM-8000

Portacube STR™ Miter Saw Work Station

- Fits any miter saw up to 26 ½" wide
- Create up to 7 feet of work surface
- Compact 31" x 29" footprint when folded for easy storage
- Ideal for Bench Top Planers and other table top tools
- Tool tables adjust to height of your miter saw table

The Ultimate Companion For Your Miter Saw!



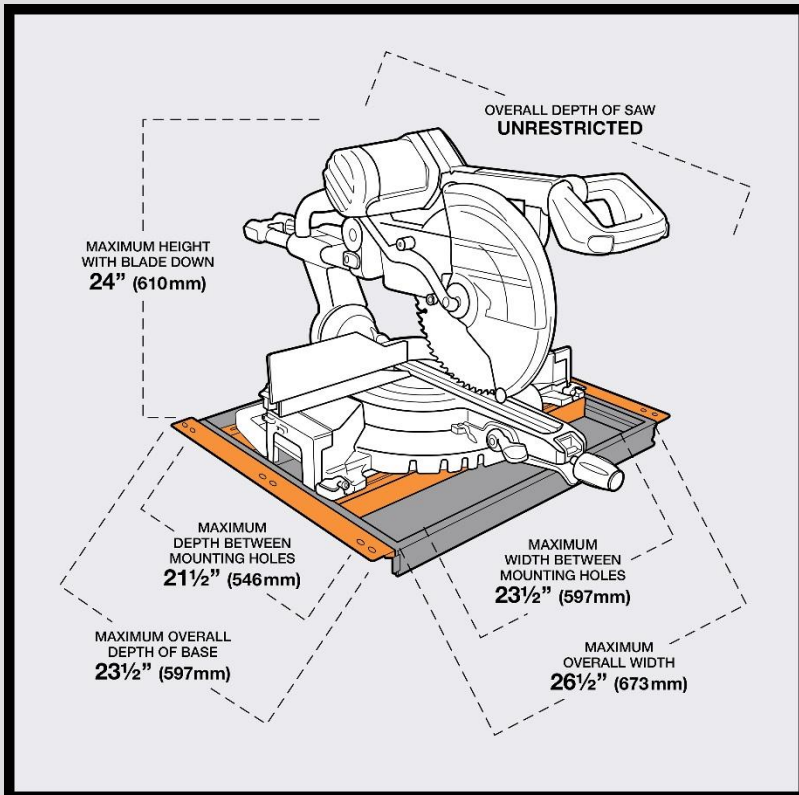
• Miter Saw Workstation



• Rotational top converts to work bench



• Move and Store your tools with ease



- Fits miter saws and other benchtop tools with front and rear mounting holes
- Always lock miter saw head in the down position before rotating table
- Miter saws may need to be miter angled for best storage and rotational positioning
- For unusual tool hole mounting locations a sub table may be used

800-588-0395
PORTAMATE.COM

an **AFFINITY** TOOL WORKS company

©2016 Affinity Tool Works, LLC